

Topologies for Large Scale Photovoltaic Power Plants

Ana Cabrera-Tobar^{a,*}, Eduard Bullich-Massagué^a, Mònica Aragüés-Peñalba^a,
Oriol Gomis-Bellmunt^{a,b}

^a*Centre d'Innovació Tecnològica en Convertidors Estàtics i Accionaments
(CITCEA-UPC), Departament d'Enginyeria Elèctrica, Universitat Politècnica de Catalunya,
UPC. Av. Diagonal 647, Pl. 2. 08028, Barcelona, Spain*

^b*Catalonia Institute for Energy Research, IREC, Jardins de les Dones de
Negre,1,Pl.2a,08930 Sant Adrià del Besòs,Spain*

Abstract

The concern of increasing renewable energy penetration into the grid together with the reduction of prices of photovoltaic solar panels during the last decade have enabled the development of large scale solar power plants connected to the medium and high voltage grid. Photovoltaic generation components, the internal layout and the ac collection grid are being investigated for ensuring the best design, operation and control of these power plants. This article addresses the review of components as photovoltaic panels, converters and transformers utilized in large scale photovoltaic power plants. In addition, the distribution of these components along this type of power plant and the collection grid topologies are also presented and discussed.

Keywords: Photovoltaic Power Plants, Photovoltaic panels, transformers, Renewable energy, PV inverter, PV layout.

1. Introduction

The energy demand worldwide is expected to grow by 41 % during the next 20 years due to industrial and residential needs [1]. Commonly, the electricity demand was supplied by fossil fuels as oil, natural gas and coal; but the
5 variability of electricity price, the rise of CO_2 emissions and the reduction of

*Corresponding author

Email address: ana.cabrera@citcea.upc.edu (Ana Cabrera-Tobar)

fossil fuel reserves have caused that different countries and organizations focus on renewable energy as a solution to supply the future and the present demand [2].

Therefore, the use of renewable energies to supply electricity has grown in the last years, especially wind and photovoltaic power. Wind power plants had the fastest growth during the last years. In fact, the cumulative wind power installation in the European Union at the end of 2014 was 128.8 GW [3], while in Asia, US, and South America was 115 GW [4], 65 GW [5] and 4 GW [4] respectively. In contrast, photovoltaic (PV) power installations did not have the same growth, due to prices of photovoltaic panels, technology used and social opposition. In fact, the cumulative power installation of photovoltaic for residential and utility purpose connected to the grid in 2014 was 81 GW in Europe, 37 GW in Asia [4], 13 GW in USA [6] and only 104 MW in South America [4]. According to the European Photovoltaic Industry Association *EPIA*, the total installed capacity of photovoltaic power in Europe will reach 156 GW, and for Asia will be 184.9 GW until 2018 [7]. US, South America and South Africa show a drastic increment on the development of PV power plants (PVPPs) adding several GWs to the worldwide PV generation, in fact US has 21.8 GW of PVPPs under development [8].

Because of this trend, different PV panels, inverters, transformers, protections and storage systems have been developed to improve the overall performance of PVPPs for small, large (LS-PVPPs) and very large scale (VLS-PVPPs)¹. Accordingly, this article focuses on two main objectives; former, the introduction of the main characteristics of the basic components for LS-PVPPs; and the latter, the definition and discussion of internal disposition of PV panels, inverters and transformers considering also the ac collection grid topologies for LS-PVPPs.

¹In this article we consider small scale if the power rate of the PVPP is in the range of 250 kW to 1 MW, LS-PVPP from 1 MW to 100 MW and according to the International Energy Agency [9], VLS-PVPP has a rate capacity from 100 MW to GW.

Numerous publications regarding the review of suitable technology for small PVPPs are found in the literature. The explanation of the components, topology and the control of small PVPPs for houses and buildings are studied in [10, 11, 12, 13]. Meanwhile, [14] and [15] focus on problems related to large scale integration of PV generation into the distribution system as voltage drop and network losses. The topologies used to interconnect PV panels with the inverters, for small PVPPs interconnected to the grid, are studied by [16] and [17]. Besides, Salas, V. and et al. [18] study the technology used by inverters in small PV application comparing efficiency, control, cost, weight, and its future trend.

In contrast, there are few publications regarding the review of the electrical layout and the suitable technology for LS-PVPPs and VLS-PVPPs. Stranix et al. [19] and Simburger et al. [20] review the design of LS-PVPPs considering electronic devices, wiring, protections, PV panels, mounting characteristics, installation, maintenance and cost according to the technology used in 1980s. Alternative configurations are studied in [21], comparing technical advantages and disadvantages, but these configurations are only based on central inverters topologies. Ito Masakazu and et al. [22] present how different types of PV panels affect to the area occupied by a VLS-PVPP . In [23] and [24], a summary of the problems related to the integration of LS-PVPPs to the grid considering electrical grid codes is described. The control and the implementation of LS-PVPPs are studied on [25, 26, 27] with specific examples. Despite the extensive literature review, there is a lack of information about the internal topology and the ac collection grid for LS-PVPPs. Therefore, the development of this review is critically important in order to describe the components, their internal disposition and the ac collection grid topology used in LS-PVPPs. To accomplish the objectives of this paper an extensive literature review is developed considering publications of the last 30 years presented in journals and magazines. Besides, an extensive review of the technical data of real LS-PVPPs developed around the world is developed to do a deeper analysis of the current trend.

The remainder of this paper is structured as follows. Section 2 presents

a review of the main electrical components used in LS-PVPPs. Section 3 is
65 dedicated to the analysis of the internal disposition of the components in a LS-
PVPP. Section 4 presents the analysis and discussion about the ac collection
grid topologies in LS-PVPPs. Finally, the conclusions are presented in Section
5.

2. Electrical components

70 The electrical components of LS-PVPPs have three tasks: i) to convert
solar energy into electricity, ii) to connect the LS-PVPP to the grid, iii) to
assure an adequate performance. The basic components involved in these tasks
are: PV panels, PV inverters and transformers. In this section, a review of
these components is developed considering their operating principles, the current
75 technology used, and their future trend.

2.1. PV panels

Solar cells are the basis of the PV panel. The function of the solar cells is
the conversion of solar energy into electricity [28]. A number of solar cells are
connected in series and then encapsulated in an especial frame to construct the
80 PV panel [29].

There are different materials of solar cells affecting to the overall efficiency
of the PV panels. The basic types, crystalline ($c-Si$) and multicrystalline
($m-Si$) silicon, present efficiency values around 20 % [30]. Other types as the
thin film solar cells using amorphous silicon ($a-Si$) have an efficiency around
85 6.9 % to 9 % [22, 30]. Thin film solar cells are also using other materials as
copper indium diselenide ($CuInSe_2-CIS$), and Cadmium telluride ($CdTe$) with
efficiencies around 15 % [28] and 12 % [30] respectively. Other materials are in
research with the aim to improve efficiency and costs as it is summarized in [31]
and [32].

90 The $c-Si$ and $m-Si$ has dominated the utility market during the last years
due to its efficiency, the land used, and its stability during time, reliability and

abundant primary resource. The main drawback of this technology is the price due to manufacturing and the quantity of material used [33], [34]. In contrast, thin film solar cells has some benefits as the price, the efficiency of sun light
95 in low radiation and low temperature coefficient. But the main drawback for its utilization on LS-PVPPs is the land occupied, lower efficiency, low stability during time [35], [36] and the scarcity of materials [37]

The efficiency of the solar panels affects to the overall dimension of the LS-PVPP, as it is explained in [22]. For the same power, if the efficiency reduces,
100 the area occupied by the LS-PVPP is major. The total cost is also affected not only by the land occupied but also because of installation, transportation, maintenance and mounting characteristics [38]. Fig. 1. illustrates the relationship between the efficiency of the different types of solar cells with the size of the PVPP according to the available data in [22] for a LS-PVPP of 100 MW.
105 The Fig. 1 shows that the multicristalline silicon solar cells ($m - Si$) has larger efficiencies (10-12%) than the case of thin film solar cells (7-9%). The area occupied by the silicon solar cells is less than twice the area used in thin film solar cells when amorphous silicon is used. This is also validated by Yimaz at et al. [39] using a small system of 33 kW to compare the performance of ($c - Si$),
110 ($m - Si$) and thin film solar cells.

Researchers are still looking forward the improvement of solar cell characteristics by the increment of the efficiency, the decay of prices and the long-term stability [40]. For LS-PVPPs, other solar cell characteristics are also becoming
115 necessities as sustainability, recycling and reduction of CO_2 production during its life cycle [41].

2.2. PV inverters

The PV inverters are electronic devices that permit the conversion from dc to ac power and are used in different applications. In the case of LS-PVPPs, the PV panels generate dc power, then these panels are connected to a PV inverter
120 to generate ac power [28], permitting its connection to the internal ac grid.

The PV inverter has one or two stages of conversion. In one stage, a single

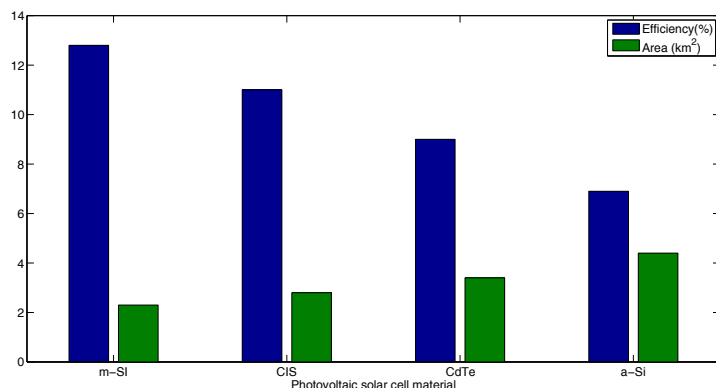


Figure 1: Efficiency and Area occupied by PV panels with different types of solar cells for a LS-PVPP of 100MW [22]

inverter (dc-ac) is commonly used, and in two stages an additional dc-dc converter is connected [42, 43]. The use of dc-dc converter in LS-PVPPs is still on research. A review of the state of the art of non-isolated dc-dc converters is studied in [44, 45] and isolated dc-dc converters are analyzed in [46]. In non-
125 isolated converters, the configuration used are boost, buck, buck & boost, Cûk or SEPIC. The leakage current, the voltage stress and the current ripple are a drawback of non-isolated dc-dc converters. Therefore, isolated configuration is considered appropriate for LS-PVPPs. The isolation is commonly obtained by
130 a high frequency transformer. The typical configurations are flyback, forward, push-pull and boost-half-bridge [47]. The switching stress, the cost and the efficiency are typical issues on these configurations [46].

The choice of the dc-dc converter depends on the dc-ac inverter used at the next stage. The typical inverters used are Neutral Point Clamped (NPC) and Cascade H-Bridge (CHB) [48]. If a dc-dc stage is connected, an isolated
135 converter suites better for CHB as it needs independent dc input for each CHB used [49]. In the case of a NPC, non-isolated converter is connected in a previous stage [50].

In any case, one or two stages of conversion, the PV inverters used in LS-
140 PVPPs must overcome issues related to the technology of the PV panels and

electrical requirements. First, PV inverters must have galvanic isolation to overcome any issue related to the leakage current from the PV panels interconnection [46]. Second, due to the non-linear characteristics of the voltage and current of the PV inverter, a tracker of the maximum power point (MPPT) for any radiation and temperature is needed [51]. Third, the power quality and the operational characteristics of the PV inverters must obey any of the electrical standards applicable to the country.

Photovoltaic power initially became important in Distribution generation for which some of the applicable standards for PV inverters are IEEE 1547, UL1741 and ANSI C84. These electrical standards permit that the PV inverter disconnects in any case of faults, low voltage or disturbance into the grid. However, an immediate disconnection is counterproductive for a large facility as a LS-PVPP. Dedicated standards for the interconnection of LS-PVPPs to the grid are the ones presented in Germany (BDEW), US (FERC LGIA) and Puerto Rico (PREPA). According to these standards, not only inverter's disconnections is forbidden, but they also have to provide grid support functions as voltage and frequency regulation as well as fault ride through capability [52], [53]. To help to comply these requirements FACTS and capacitor banks are included, but they are not part of these review.

2.3. Transformers

In LS-PVPPs, there are two types of transformers installed (Fig. 2). The first one (Tn), steps up the voltage from the PV inverters to the range of 13.8 kV to 46 kV [54]. The second one (T-HV) has two functions: i) to provide galvanic isolation for LS-PVPPs from the electrical grid and ii) to step up the voltage from the LS-PVPP [21]. In the LS-PVPP detailed in [55], forty transformers are used to step up the voltage of the PV inverters from 0.4 kV to 30 kV. In this case, another transformer is used for the complete LS-PVPP to step up the voltage from 30 kV to 110 kV.

If the PV inverter has a power rating higher than 500 kW, three winding transformer is commonly used [56]. This transformer has two windings for low

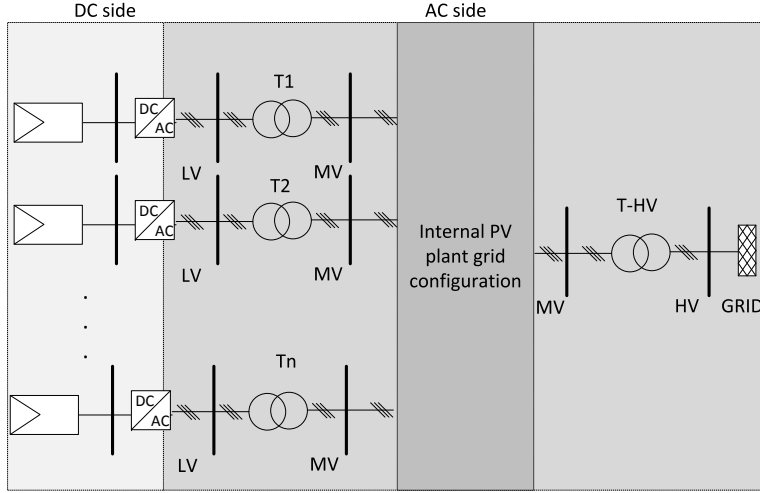


Figure 2: Location of the transformers in the LS-PVPP

voltage (LV), to connect two inverters, and the third one for medium voltage connection (MV) [57, 58]. The existing vector groups for this transformer are: $Dy_ny_n, Dd_nd_n, YNy_ny_n, YNd_nd_n, YNy_nd_n$ [59]. In the case of PV inverters with a power rating less than 500 kW, transformers of two windings are used
175 [60]. These transformers have two windings, one for low voltage (LV) and other for high voltage (HV). The transformer T-HV has also two windings, one for medium voltage (MV) and the other one for high voltage (HV). The existing vector group for this transformer is Yy.

Any of these transformers (Tn or T-HV) is elected according to the rated
180 power, efficiency, and cost. The transformer could become a bottleneck, if the rated power is smaller than the normal operation of the LS-PVPP. If the rated power is too large, there could be some instabilities that cause problems with the overall performance [54, 57]. To overcome this issue, a technique has been designed by A. Testa and et al. [61] to choose the transformer according to the
185 power, the efficiency, the cost and the operation of a LS-PVPP.

Currently, researchers are looking for other type of transformers to reduce the area occupied and to improve the reliability of LS-PVPPs. The work developed by Bahha Hafez and et al. proposes the use of medium frequency transformers

at LS-PVPPs [62]. According to this work, the efficiency of the overall power
190 plant improves by 2 % in comparison with a LS-PVPP developed in Eggebek
that uses multistring inverters, but an ac-ac converter is added to the topology.

After the understanding of the definition, function, characteristics and the
future trend of the main components in LS-PVPPs, the following section studies
the distribution of these components for this type of application.

195 **3. Internal PV plant configuration**

The connection of PV inverters with PV panels (Fig. 3) and transformers
(Fig. 4) in LS-PVPPs considers three basic topologies: i) central, ii) string, and
iii) multistring [16], [17]. There is a fourth basic topology, the ac module inte-
grated, but its application in LS-PVPPs has not been developed yet. The power
200 produced by the different topologies is affected by solar radiation and shading
effect, becoming very important the correct choice of the topology according to
the power output, location, reliability, cost and efficiency [10].

In this section, a review of these configurations is developed, describing and
analysing their main characteristics, advantages, disadvantages, applications
205 and future trend. To overview a summary of the configurations presented in
this section, some tables (see Tables 1 to 3) and graphics (see Fig. 3 to 7)
are developed according to the data collected from several publications and
manufacturers.

3.1. Description of internal topologies

210 The interconnection between PV panels and the inverters is illustrated in
Fig. 3. The central topology (Fig. 3(a)) interconnects several thousands of PV
panels to one inverter. The disposition of these PV panels are clustered into
PV arrays. Each array has hundreds of PV strings connected in parallel, and
each string has hundreds of PV panels connected in series. The string topology
215 (Fig. 3(b)) connects one PV string with one inverter. The multistring topology
(Fig. 3(c)) connects one PV string to a dc-dc converter, then 4 or 5 dc-dc

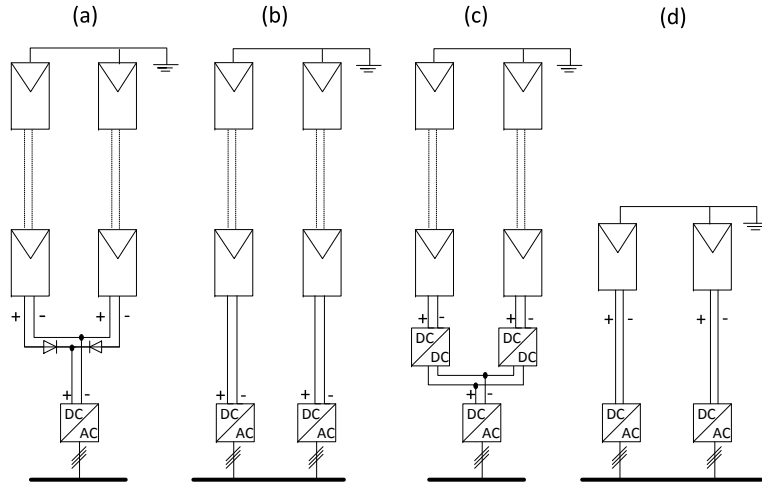


Figure 3: PV inverter topologies. (a) Central, (b) String, (c) Multistring, (d) Module integrated

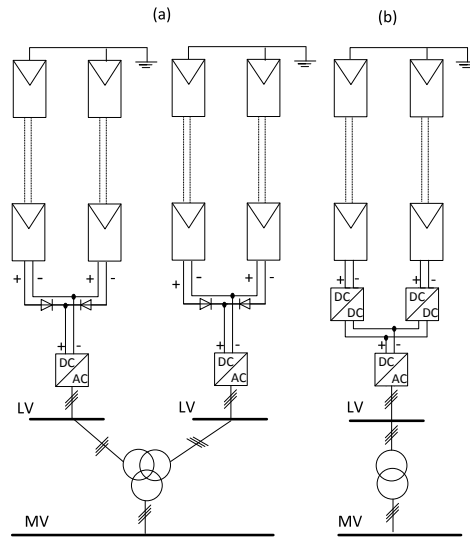


Figure 4: Connection of Transformers at Medium Voltage. (a) Central PV inverter with three winding transformer, (b) Multistring PV inverter with two winding transformer.

converters are connected to one inverter which may or may not be closed to the dc-dc converter. The fourth topology, the ac module integrated (Fig. 3(d))

Table 1: Electrical characteristics of PV inverter topologies

Inverter topology	P (kW)	Vin mppt dc (V)	Vout ac(V)	f (Hz)
Central	100-1500	400-1000	270-400	50, 60
String	0.4-5	200-500	110-230	50, 60
Multistring	2-30	200-800	270-400	50, 60
Module Integrated	0.06-0.4	20-100	110-230	50, 60

has one inverter per each PV panel. The inverters utilized on these topologies
 220 takes the name of the topology used: central, string, multistring and ac module
 integrated. The electrical characteristics of these inverters are described in Table
 1.

These topologies are differentiated by four categories: general characteris-
 tics, power losses, power quality and cost (Table 2²). The first category, general
 225 characteristics, considers the robustness, reliability, flexibility and MPPT effi-
 ciency [63, 64, 65]. Each topology presents its own general characteristics that
 depends specially on the power rating, number of PV inverters and number
 of PV strings. For instance, the central topology has low levels (L) of rela-
 bility, flexibility and MPPT efficiency but its robustness is higher than other
 230 topologies.

The second category, power losses, considers mismatching, switching, ac and
 dc losses. Mismatching losses are inevitable in any PV array. These depends on
 uneven degradation along the PV string, shading, cloud coverage, dust, cooling,
 MPPT efficiency, among others [66, 67]. In this case, central topology presents
 235 higher (H) mismatching losses because several strings are connected to a single
 inverter. The switching losses are also a concern that depends on the devices
 and the control of the PV inverter. The length of the cables in the dc or the ac
 side influences the cumulative losses of LS-PVPPs. Central inverters have very

²The following nomenclature is used: H-H: very high, H: High, M: Medium, L: Low, L-L:
 very low

high (H-H) losses at the dc side as many strings are connected in parallel. In
240 contrast, the ac losses in the central inverter are low (L), as the transformers
(Tn) are connected very close to the inverter.

The third category, power quality, is influenced by the dc and ac voltage
variations and voltage balance. In the case of central topology, the dc voltage
variation is very high (H-H) because many strings are connected in parallel. In
245 this case, the ac voltage variation is low (L) and the voltage balance is high
(H) as it has only one inverter. The voltage is unbalanced specially when many
inverters are connected in parallel as the case of module integrated. Due to
losses, distances and voltage sags, the three phase voltage balance at the point
of connection with the transformer (Tn) could be affected. Therefore, when
250 several inverters are connected in parallel, is necessary to develop a master
control for a group of PV inverters to reduce the ac voltage variation and to
improve the voltage balance.

The fourth category, the cost, involves the installation, maintenance, land
cost and length of cables in the dc or the ac side [63, 68, 69]. The comparison of
255 costs for each topology is detailed in Table 2, but the land cost is not included
as it depends on the location of the LS-PVPP.

Because of comparison analysis, Fig. 5 is developed considering each char-
acteristic for every topology presented in Table 2. It can be stated that the
central topology has the following advantages: robustness, low ac power losses,
260 low ac voltage variation and a reasonable installation and maintenance cost in
contrast with the other topologies. The general characteristics of string and
multistring topologies [63] are very attractive, but the main drawback is the in-
stallation and the maintenance cost as the number of inverter increases. String
topology has similar characteristics as the multistring topology, but it is recom-
265 mended to use it when each PV string has different orientation angle [69, 70].
In real LS-PVPPs, module integrated has not been implemented, but it can be
concluded that has good characteristics considering flexibility, MPPT efficiency
and reliability. The robustness, power losses, power quality and the general cost
are several drawbacks for the module integrated topology.

Table 2: Main characteristics of PV inverter topologies

		Central	String	Multistring	Module integrated
General characteristics	Reliability	L	H	M	H-H
	Robustness	H	L	M	L-L
	Flexibility	L	H	M	H-H
	MPPT efficiency	L	H	M	H-H
Power losses	Mismatching	H	L	L	L-L
	Switching	H	L	M	L-L
	ac power losses	L	M	M	H
	dc power losses	H	L	M	L-L
Power quality	ac voltage variation	L	H	M	H-H
	dc voltage variation	H-H	M	H	L-L
	voltage balance	H	M	L	L
Cost	Installation cost	M	H	M	H-H
	dc cables	H	L	M	L-L
	ac cables	H	M	M	H
	Maintenance	L	M	H	H-H

270 *3.2. Analysis in real LS-PVPPs*

In this subsection an analysis of real LS-PVPPs is developed to see the applicability of the topologies studied before. A comparison of three different topologies available in the market considering cost, efficiency and area is illustrated in Fig. 6. The topologies compared are central, multistring and an
275 additional topology called multicentral inverter. This topology encapsulates in one cabinet several central inverters with a power rating less than 100 kW. In the cabinet, there are at least three different PV inverters with the same characteristics. Each of them has its individual MPPT control. The output of each inverter is connected in parallel with the adequate protections to have only one
280 output for the complete cabinet. Fig. 6 shows that multicentral inverter has better characteristics on price and efficiency in comparison with central and multistring inverter.

Additionally, Fig. 7 compares 22 LS-PVPPs of different power from 6 to 90 MW, where 17 of them have PV inverters connected in central topology.

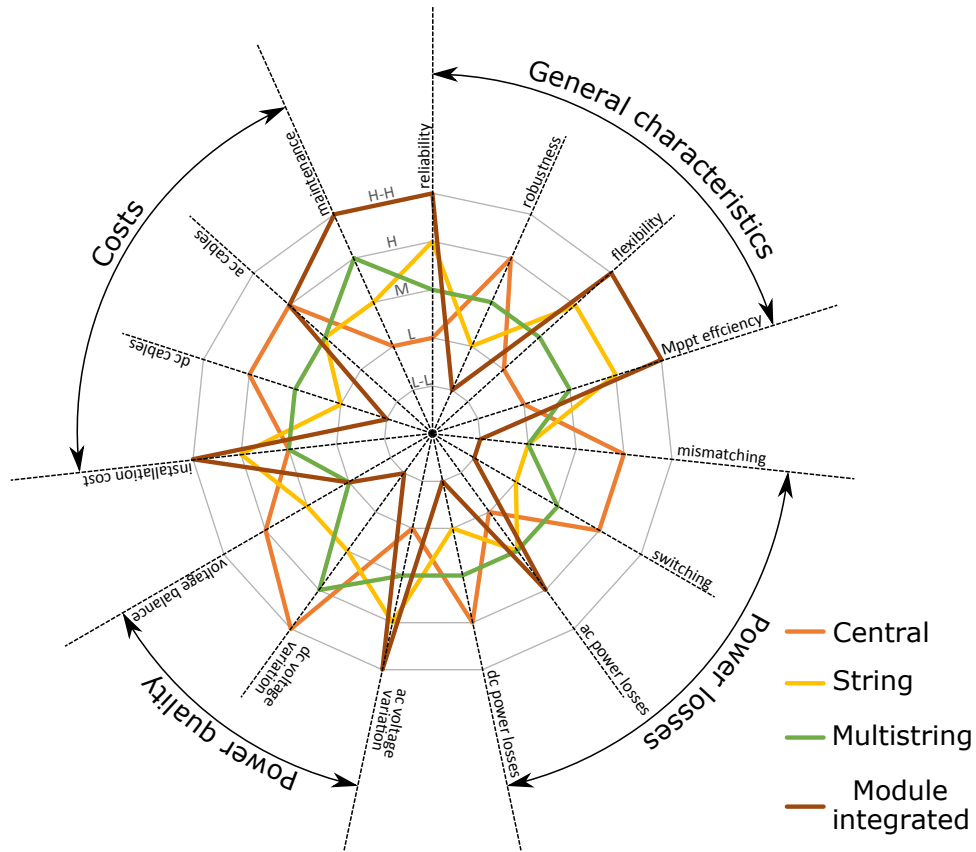


Figure 5: Comparison between different PV inverter topologies characteristics for LS-PVPPs

285 The comparison is made between the area occupied and the number of PV
 modules in contrast of the capacity rating of the LS-PVPP for central and
 multistring topology. This graph shows that the central topology is the most
 used technology due to its feasibility and the small number of inverters used in
 the power plant. Multistring topology is barely used in LS-PVPPs and the area
 290 occupied according to the evaluated data is almost the same as the area used
 for central topology.

In any of these cases at large scale, string topology has not been used. The
 work developed by Syafaruddin and et al. [71] analyses that an array of PV
 panels connected to central inverter generates less power than string topology

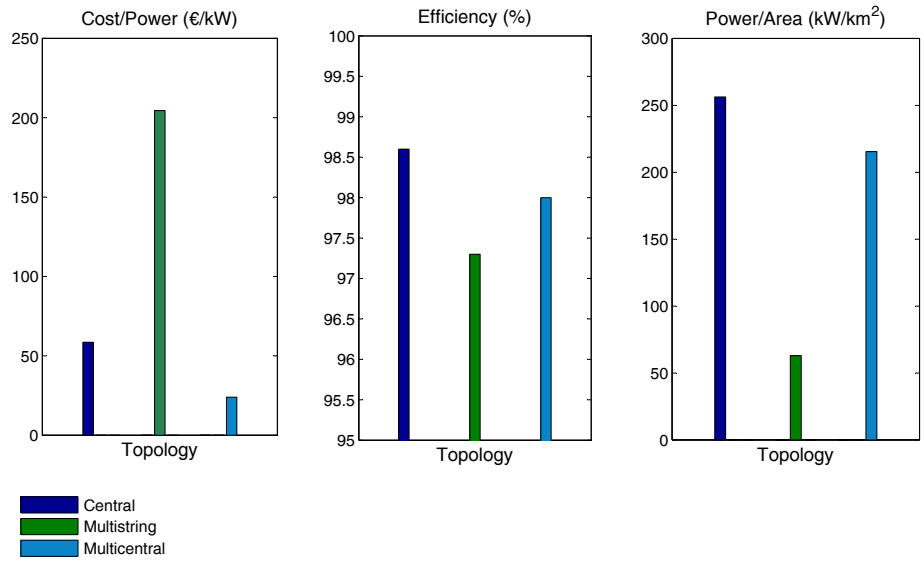


Figure 6: Comparison between different PV inverter topologies available in the market for LS-PVPPs

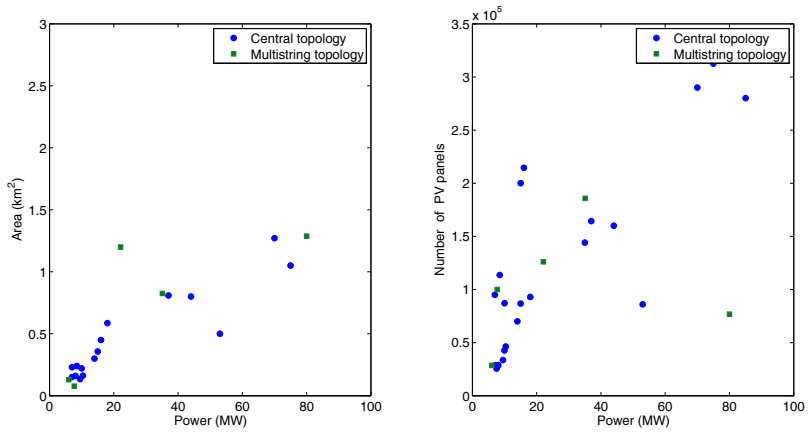


Figure 7: Comparison of area and number of PV panels used between different real LS-PVPPs

295 for the same PV array considering non-uniform irradiance condition and a novel MPPT control based on artificial neural network. The study developed by A. Woyte and et al. [72] concludes that there is not a considerable difference among central and string inverter with a similar annual yield, thus the performance

Table 3: Details of some operational LS-PVPPs

Photovoltaic Power Plant	Power (MWp)	Area (km^2)	Panels ($*10^3$)	Panel type	Inverters Number	Topology
Korat I	6.0	0.13	29	m-Si	540	M
Narbonne	7.0	0.23	95	Thin film	19	C
Rapale	7.7	0.49	100	Thin film	900	M
Airport, Athens	8.1	0.16	29	m-Si	12	C
Saint Amadou	8.5	0.24	113	Thin film	16	C
Volkswagen Chattanooga	9.5	0.13	33	m-Si	10	C
Masdar	10	0.22	87	m-Si, Thin film	16	C
Adelanto	10.4	0.16	46	m-Si	13	C
Taeon	14	0.30	70	m-Si	28	C
Jacksonville	15	0.40	200	Thin film	20	C
San Antonio	16.0	0.45	214	Thin film	22	C
Cotton Center	18.0	0.58	93	m-Si	36	C
Almaraz	22.1	1.2	126	m-Si	6697	M
Veprek	35.1	0.83	185	c-Si	3069	M
Long Island	37.0	0.80	164	m-Si	50	C
Reckahn	37.8	0.98	487	Thin film	43	C
Ban Pa-In	44.0	0.80	160	m-Si	61	C
Lieberose	71.0	2.2	900	Thin Film	38	C
Kalkbult	75.0	1.05	312	m-Si	84	C
Eggebek	80.0	1.29	76	m-Si	3200	M
Montalto di Castro	85.0	2.83	280	c-Si	124	C
Templin	128	2.14	1500	Thin Film	114	C
California Valley Ranch	250	6.01	749	c-Si	500	C
Agua Caliente	290	9.71	5200	Thin Film	400	C

ratio during the year is similar.

300 Table 3 summarizes the main characteristics of some LS-PVPPs developed by SMA, ABB, SunPower and Danfoss. This table indicates the area, the number of PV panels, the panel type, the PV inverters and the topology³ used in operating LS-PVPPs. Other components are still necessary for the design, implementation and operation of LS-PVPPs, as junction boxes for dc and ac side, 305 sensors [73, 74] and protection devices that are not part of this review.

The data detailed in Table 3 shows that the preferred material of PV panel is m-Si and thin film. In LS-PVPPs that uses thin film solar panels occupies twice the area than the PVPPs that uses m-Si. Only, three PVPPs of the table below uses c-Si, and these show less number of PV panels and less area occupied. 310 Furthermore, the number of PV inverters depends on the topology used, a large number of PV inverters is common in multistring topology. For instance, in the

³M=Multilevel, C=Central

cases of Veprek and Long Island solar plant with a corresponding power of 35 MW and 37 MW respectively, have similar area occupied, though the topology is different. The number of PV panels used in the case of Long Island is twenty thousand less than Veprek solar plant, though the power is higher in the first case. The number of multistring inverters, in the case of Veprek, has a total number of 3069 in contrast with 50 inverters used in the case of Long Island. Despite the topology used, the area and the number of PV panels does not seem to have any relation with the topology chosen. However, the area occupied and the number of PV panels has a relation with the type of material used in the PV panel. In Veprek PV plant, c-Si is used, in contrast m-Si is used in Long Island. In the case that thin film solar cells is chosen for similar power as Reckahn power plant, the area occupied increases in 20 % and the number of PV panels is almost three times than the case of Long Island PV plant. However, in both cases the internal configuration chosen is central and the number of inverters is almost similar.

The cost influences in the decision of the topology and the technology used as well as the efficiency required, the performance, the area, the price of land and the location. Despite the importance of the internal distribution of the PV panels, inverters and transformers, the following section studies the general configuration of the overall plant without considering the PV inverter topology chosen for the PV arrays.

4. Collection grid topologies

Collection grid topologies are considered for internal dc or ac power. Very little information has been documented about the ac collection grid topologies for LS-PVPPs and none has been presented for the dc collection grid. This section explains some possible AC collection grid topologies described by some manufacturers as radial, ring, star and their variations considering their advantages and disadvantages. In this explanation, an array of PV panels together with its inverter and transformer is considered as PV generator.

4.1. Radial

The radial collection system considers several numbers of PV generators connected to one feeder, developing one string, as shown in Fig. 8. The majority of LS-PVPPs uses this topology because it is cheapest and simplest, but its low reliability makes it less attractive. If the first generator connected to the feeder is lost, all the string is lost. One example of this configuration is detailed by Danfoss using one of their Multistring inverters. In this case a LS-PVPP of 15 MW is proposed. It has two feeders of 7.5 MW, and each of them has 5 transformer stations of 1.5 MW. The low voltage side of the transformer is connected to 88 multistring inverters that are connected in parallel between them [75]. In the case a PV inverter is lost, the total power production will not be affected significantly, but, if one transformer station is lost, all the feeders can be lost in the worst case scenario. In this case the power produced will reduce by 50 %.

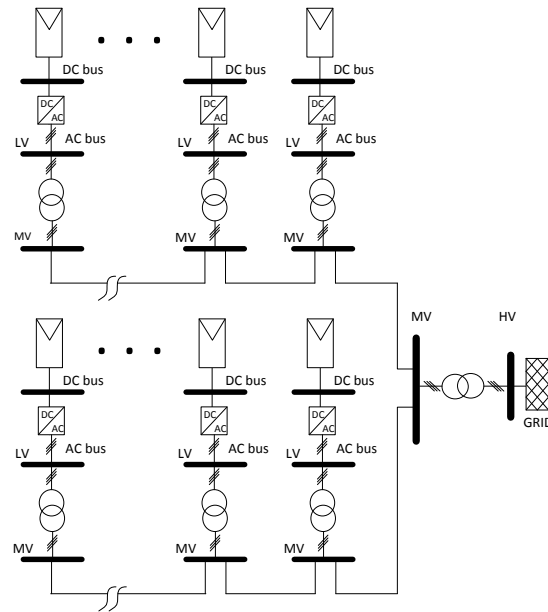


Figure 8: Radial collection configuration

355 4.2. Ring

The ring collection topology is the one used to improve the reliability of LS-PVPPs. The connection is based on radial design but it adds another feeder in the other side of the string (Fig. 9). If one of the PV generators is lost, then the PV generators connected to the other side of the feeder can still give power to the LS-PVPP. The drawback is the cost and the complexity of the installation. 360 the LS-PVPP. The drawback is the cost and the complexity of the installation. A LS-PVPP of 10 MW proposed by Danfoss uses this configuration considering 15 transformer stations. The low voltage side of these transformers is connected to 42 multistring inverters. In this case, if there is any failure in one of the inverters just a small part of the LS-PVPP is lost (less than 1 %) [76]. In this 365 case, if any transformer station is lost, there is a reduction of power production of 6.3 %.

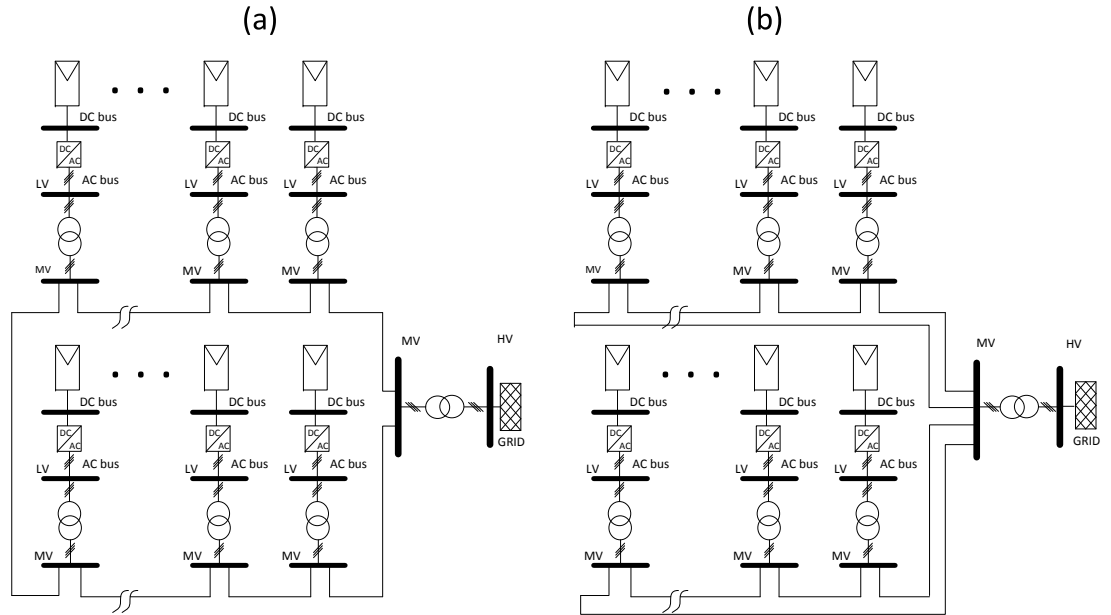


Figure 9: Ring collection configuration. (a) case 1 and (b) case 2

4.3. Star

This collection topology has one PV generator connected to the main collector. Commonly, this collector is in the middle of the LS-PVPP to reduce the distances of the cables and to have the same losses between them (Fig.10). This solution offers higher reliability than the other cases. On the downside, there is one feeder for each PV generator that increases the total cost. An example of 21 MW LS-PVPP is explained by Abraham Ellis for the integration of Renewable Energy in South Africa [77]. The star configuration proposed considers 8 transformer stations. Each of these transformers is linked to 3 central inverters on the low voltage side. In this case, if a transformer station is lost, 14 % of the power production will be affected. This can be reduced if multistring inverters are used. It will have a power reduction of 4% if any of the central inverters fails.

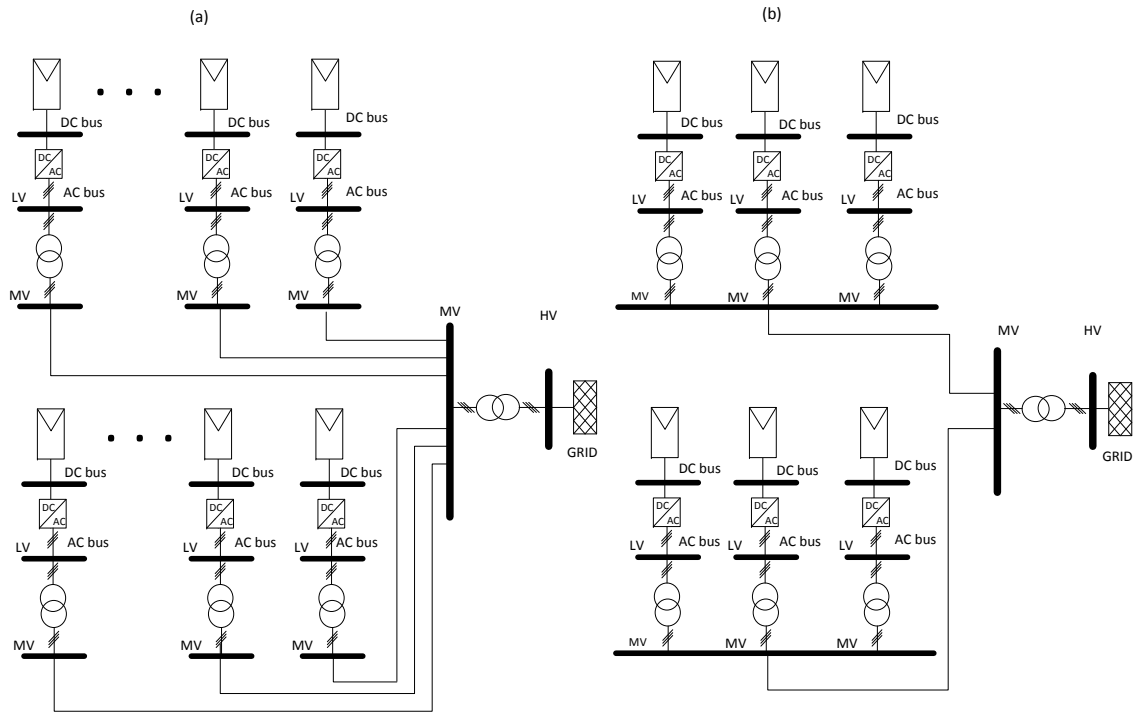


Figure 10: Star collection configuration. (a) case 1, (b) case 2

Table 4: Summary of basic elements, internal configuration and topologies for LS-PVPPs

	Basic elements			Configuration and topologies	
	PV panels	PV inverters	Transformers	Internal configuration	Collection grid topologies
Technology	m-Si	one stage (dc-ac)		Central	Radial
	c-Si	two stages (dc-dc-ac)	Two windings	String	Ring
	Thin film solar cells	galvanic isolated or non-isolated	Three windings	Multistring ac module	Star
Most used technology	m-Si and Thin film	One stage dc-ac	Three winding	Central	Not enough documented PVPPs
Concerns		Switching losses			
	Efficiency	Efficiency		Power efficiency	Reliability
	Price	Adequate control	Size	Voltage variation	Losses
	Manufacturing	Compliment of grid codes	Price	Installation cost	Cost
	stability	Galvanic isolation	Power	Maintenance cost	
		Price			

380 The ac collection grid topologies presented here have different problems
about reliability, cost and efficiency. These issues are overcome if there is a
complete analysis about these configurations in one case scenario, very few cases
have been published making impossible the comparison among them. Finally,
we present a table (Table 4) that summarizes the technology, the internal topol-
385 ogy and the ac collection grid configurations used in LS-PVPPs, considering
what has been discussed before.

5. Conclusions

In this paper, the main characteristics of the basic components for LS-PVPP
have been detailed. In addition, the internal disposition and ac collection grid
390 topologies have been described considering real LS-PVPPs implemented around
the world. The tables 1 to 4 present a general summary of the different topics
discussed in this review. It is worth pointing out the right choice of the compo-
nents affects the area occupied, the efficiency and the reliability of LS-PVPPs.
From this review, some conclusions can be argued:

- 395 • The material used in the PV panels makes a big difference in the area
occupied. Better materials of PV panels makes possible the reduction of
the area used by LS-PVPPs. PV panels with higher power and less size

must be developed specifically for LS-PVPPs. This will help to reduce the installation costs and the area used. In this sense, silicon solar cells
400 is more suitable for large installations as it has higher efficiency and the land used is less than the case of thin film solar cells. Also, the prices are expected to decay in the future years which will help to the development of LS-PVPPs. However, thin film solar cells technology is still improving and it is expected that more LS-PVPPs will use it, as the price is less
405 than crystalline or multicrystalline solar cells.

- The most widely used PV inverters in LS-PVPPs have one stage of inversion (dc-ac), as it is a known technology and has been deeply applied on the integration of renewable energy into the grid. However, two stages are attractive for the future of LS-PVPPs to improve the control of the PV
410 generator at the dc side which permits to reduce the dc variations. Besides, the addition of galvanic isolation in any of these cases depends broadly on the PV panel type and the electrical characteristics required by the LS-PVPP. Deeper studies are necessary considering real cases scenarios to understand the advantages and disadvantages of the use of converters
415 with one or two stages, galvanic isolated or not.
- The performance of a LS-PVPP depends mostly on the operation and control of the PV inverters. Until now the PV inverters have broadly developed to comply electrical standards to support the consumer without providing grid support functions. Due to the future trend of the development of LS-PVPPs that have to behave as similar as possible as the
420 conventional power plants, PV inverters have to improve their operational and control characteristics. However, not many studies about the improvement of PV inverters technology and control have been developed for LS-PVPPs.
- The internal topology is critical for the performance of the LS-PVPPs. Central topology has been preferred by the majority of LS-PVPPs developed in the world. This may obey to the simplicity of installation
425

and to the small number of components in the overall power plant. The drawback of the central topology is the mismatching losses caused by the change of radiation reducing the effectiveness of the MPPT control and affecting to the output power. Multistring topology has better characteristics of efficiency because it has a dedicated MPPT control per string. The complexity of installation and the large number of inverters installed, makes this topology less attractive to investors. The multistring inverter topology has a big potential on LS-PVPPs, but deeper research on cost, efficiency and behavior is necessary.

- According to the topology chosen and the rated power of the inverter, the transformer is elected. Two windings transformer was commonly used in PVPPs developed in the 90s due to the power of central inverter. However, the development of central inverters with higher rating has increased the necessity to have an improved transformer. Today, one of the transformers most used in real LS-PVPPs has three windings that permits to link two central PV inverters with their independent control. But in the case of multistring inverters, two windings transformers is still used. The future trend of the transformers for LS-PVPPs depends specially on how the inverter improves its technology and control. Their size, operation, maintenance, power quality are the current concern in LS-PVPPs and deeply research on new transformer's generation is still emerging.
- A comparison of various conceptual designs for the ac collector system options in terms of losses, reliability and economics has been presented in this review. In real LS-PVPPs radial configuration is the most used as it has the lowest cable cost. Currently, there is any study comparing the collector system options for this type of application and how the variation of solar radiation and temperature affects to the performance of any configuration. In future years the use of radial or ring configuration will be the most used and not so many changes will occur in this area. However, as the PV array supplies dc power will be more attractive to have dc col-

lection grid instead of ac. This will depend on how the dc-dc converters
and protections will develop in the future years and how the price for dc
460 technology will drop.

- The future of LS-PVPPs depends on the decay of prices, size reduction,
efficiency improvement of the different elements used in its development
(PV panels, transformers and inverters). After the prices will be suffi-
465 ciently reduced, the internal configuration and the collection grid are part
of the future concern in LS-PVPPs considering cost, robustness, reliability
and flexibility. Together with the concern of the elements and the configu-
ration, the necessity to improve the control and the energy management of
LS-PVPPs is increasing. The trend is to control the LS-PVPPs to behave
as similar as possible as conventional power plants considering grid codes
470 requirements.

References

- [1] Bp Energy outlook 2035, Tech. rep. (2014).
URL <http://www.bp.com>
- [2] L. C. Lau, K. T. Lee, A. R. Mohamed, Global warming mitigation and re-
475 newable energy policy development from the Kyoto Protocol to the Copen-
hagen AccordA comment, *Renew. Sustain. Energy Rev.* 16 (7) (2012) 5280–
5284. doi:10.1016/j.rser.2012.04.006.
- [3] EWEA, The European Wind Energy Association — EWEA.
URL <http://www.ewea.org/>
- 480 [4] IRENA Resource.
URL <http://resourceirena.irena.org/gateway/index>
- [5] Wind Energy Facts at a Glance.
URL <http://www.awea.org>

- [6] U.S. Solar Market Insight — SEIA.
485 URL <http://www.seia.org>
- [7] Global market outlook for Photovoltaics 2014-2018.
URL [http://www.epia.org/fileadmin/user_upload/Publications/
EPIA_Global_Market_Outlook_for_Photovoltaics_2014-2018_-_
Medium_Res.pdf](http://www.epia.org/fileadmin/user_upload/Publications/EPIA_Global_Market_Outlook_for_Photovoltaics_2014-2018_-_Medium_Res.pdf)
- 490 [8] Major Solar Projects in the United States Operating, Under construction
or under development.
URL <http://www.seia.org>
- [9] K. Komoto, K. Kurokawa, Nishimura, et al., IEA PVPS Task 8: Project
Proposals on Very Large Scale Photovoltaic Power Generation (VLS-PV)
495 Systems in Deserts, in: 2006 IEEE 4th World Conf. Photovolt. Energy
Conf., Vol. 2, IEEE, 2006, pp. 2359–2362. doi:10.1109/WCPEC.2006.
279665.
URL <http://ieeexplore.ieee.org>
- [10] D. Picault, B. Raison, S. Bacha, Guidelines for evaluating grid connected
500 PV system topologies, in: 2009 IEEE Int. Conf. Ind. Technol., IEEE, 2009,
pp. 1–5. doi:10.1109/ICIT.2009.4939505.
URL <http://ieeexplore.ieee.org>
- [11] A. Ghafoor, A. Munir, Design and economics analysis of an off-grid PV
system for household electrification, *Renew. Sustain. Energy Rev.* 42 (2015)
505 496–502. doi:10.1016/j.rser.2014.10.012.
URL <http://www.sciencedirect.com>
- [12] A. Cabrera-Tobar, H. U. Banna, C. Koch-ciobotarus, G. Siddharta, Op-
timization of an Air Conditioning Unit according to Renewable Energy
availability and Users Comfort, in: ISGT, 2014, Istanbul, 2014. doi:
510 10.1109/ISGTEurope.2014.7028866.
URL <http://ieeexplore.ieee.org/>

- [13] J. Weniger, T. Tjaden, V. Quaschnig, Sizing of Residential PV Battery Systems, *Energy Procedia* 46 (2014) 78–87. doi:10.1016/j.egypro.2014.01.160.
515 URL <http://www.sciencedirect.com>
- [14] J. Widén, E. Wäckelgård, J. Paatero, P. Lund, Impacts of distributed photovoltaics on network voltages: Stochastic simulations of three Swedish low-voltage distribution grids, *Electr. Power Syst. Res.* 80 (12) (2010) 1562–1571. doi:10.1016/j.epsr.2010.07.007.
- 520 [15] J. V. Paatero, P. D. Lund, Effects of large-scale photovoltaic power integration on electricity distribution networks, *Renew. Energy* 32 (2) (2007) 216–234. doi:10.1016/j.renene.2006.01.005.
URL <http://www.sciencedirect.com>
- [16] L. Hassaine, E. Olias, J. Quintero, V. Salas, Overview of power inverter
525 topologies and control structures for grid connected photovoltaic systems, *Renew. Sustain. Energy Rev.* 30 (2014) 796–807. doi:10.1016/j.rser.2013.11.005.
URL <http://www.sciencedirect.com>
- [17] Z. Zeng, H. Yang, R. Zhao, C. Cheng, Topologies and control strategies of
530 multi-functional grid-connected inverters for power quality enhancement: A comprehensive review, *Renew. Sustain. Energy Rev.* 24 (2013) 223–270. doi:10.1016/j.rser.2013.03.033.
URL <http://www.sciencedirect.com>
- [18] V. Salas, E. Olias, Overview of the state of technique for PV in-
535 verters used in low voltage grid-connected PV systems: Inverters above 10kW, *Renew. Sustain. Energy Rev.* 15 (2) (2011) 1250–1257. doi:10.1016/j.rser.2010.09.051.
URL <http://www.sciencedirect.com/science/article/pii/S1364032110003382>

- 540 [19] A. Stranix, A. Firester, Conceptual Design Of A 50 Mw Central Station Photovoltaic Power Plant, *IEEE Trans. Power Appar. Syst. PAS-102* (9) (1983) 3218–3225. doi:10.1109/TPAS.1983.318132.
URL <http://ieeexplore.ieee.org>
- [20] E. Simburger, R. Fling, Engineering Design for a Central Station Photovoltaic Power Plant, *IEEE Trans. Power Appar. Syst. PAS-102* (6) (1983) 545 1668–1677. doi:10.1109/TPAS.1983.317904.
URL <http://ieeexplore.ieee.org>
- [21] K. Papastergiou, P. Bakas, A. Marinopoulos, Overview of Alternative System Configurations for Very Large Scale PV Power Plants, 27th Eur. Photovolt. Sol. Energy Conf. Exhib. (2012) 3805–3810doi:10.4229/540 27thEUPVSEC2012-5C0.8.1.
URL <http://www.eupvsec-proceedings.com>
- [22] M. Ito, K. Kato, K. Komoto, T. Kichimi, K. Kurokawa, A comparative study on cost and life-cycle analysis for 100MW very large-scale PV (VLS-PV) systems in deserts using m-Si, a-Si, CdTe, and CIS modules, *Prog. Photovoltaics Res. Appl.* 16 (1) (2008) 17–30. doi:10.1002/pip.770. 545
URL <http://doi.wiley.com/10.1002/pip.770>
- [23] D. Gallo, R. Langella, A. Testa, J. C. Hernandez, I. Papic, B. Blazic, J. Meyer, Case studies on large PV plants: Harmonic distortion, unbalance and their effects, in: 2013 IEEE Power Energy Soc. Gen. Meet., IEEE, 540 2013, pp. 1–5. doi:10.1109/PESMG.2013.6672271.
URL <http://ieeexplore.ieee.org>
- [24] A. Marinopoulos, F. Papandrea, M. Reza, S. Norrga, F. Spertino, R. Napoli, Grid integration aspects of large solar PV installations: LVRT capability and reactive power/voltage support requirements, in: 2011 IEEE 545 Trondheim PowerTech, IEEE, 2011, pp. 1–8. doi:10.1109/PTC.2011.6019324.
URL <http://ieeexplore.ieee.org>

- [25] M. Morjaria, D. Anichkov, V. Chadliev, S. Soni, A Grid-Friendly Plant:
570 The Role of Utility-Scale Photovoltaic Plants in Grid Stability and Relia-
bility, *IEEE Power Energy Mag.* 12 (3) (2014) 87–95. doi:10.1109/MPE.
2014.2302221.
URL <http://ieeexplore.ieee.org>
- [26] A. Hoke, D. Maksimovic, Active power control of photovoltaic power sys-
575 tems, in: 2013 1st IEEE Conf. Technol. Sustain., IEEE, 2013, pp. 70–77.
doi:10.1109/SusTech.2013.6617300.
URL <http://ieeexplore.ieee.org>
- [27] E. Bullich-Massagué, M. Araguès-Peñalba, L. Serrano, P. Carlos, R. Ferrer-
San-José, O. Gomis, Power Plant Control Experience in Large Scale PV
580 Plant . Modelling, Control, Simulation and Implementation., in: 4th Sol.
Integr. Work. 2014, Berlin, 2014.
- [28] T. Markvart, Solar electricity, 2nd Edition, Wiley, Southampton, 2009.
- [29] T. Markvart, Practical Handbook of Photovoltaics, Elsevier, 2012. doi:
10.1016/B978-0-12-385934-1.00020-9.
- 585 [30] M. A. Green, K. Emery, Y. Hishikawa, W. Warta, E. D. Dunlop, Solar cell
efficiency tables (version 39), *Prog. Photovoltaics Res. Appl.* 20 (1) (2012)
12–20. doi:10.1002/pip.2163.
URL <http://doi.wiley.com/10.1002/pip.2163>
- [31] L. Stolt, J. Hedstrom, J. Kessler, M. Ruckh, K.-O. Velthaus, H.-W. Schock,
590 ZnO/CdS/CuInSe₂ thin-film solar cells with improved performance, *Appl.*
Phys. Lett. 62 (6) (1993) 597. doi:10.1063/1.108867.
URL <http://scitation.aip.org>
- [32] V. Tyagi, N. A. Rahim, N. Rahim, J. A. Selvaraj, Progress in solar PV
technology: Research and achievement, *Renew. Sustain. Energy Rev.* 20
595 (2013) 443–461. doi:10.1016/j.rser.2012.09.028.

URL <http://www.sciencedirect.com/science/article/pii/S1364032112005291>

- [33] M. Z. Rahman, Advances in surface passivation and emitter optimization techniques of c-Si solar cells, *Renew. Sustain. Energy Rev.* 30 (2014) 734–742. doi:10.1016/j.rser.2013.11.025.

600

URL <http://www.sciencedirect.com/science/article/pii/S1364032113007740>

- [34] A. Metz, D. Adler, S. Bagus, H. Blanke, M. Bothar, E. Brouwer, S. Dauwe, K. Dressler, R. Droessler, T. Droste, M. Fiedler, Y. Gassenbauer, T. Grahl, N. Hermert, W. Kuzminski, A. Lachowicz, T. Lauinger, N. Lenck, M. Manole, M. Martini, R. Messmer, C. Meyer, J. Moschner, K. Ramspeck, P. Roth, R. Schönfelder, B. Schum, J. Sticksel, K. Vaas, M. Volk, K. Wangemann, Industrial high performance crystalline silicon solar cells and modules based on rear surface passivation technology, *Sol. Energy Mater. Sol. Cells* 120 (2014) 417–425. doi:10.1016/j.solmat.2013.06.025.

605

URL <http://www.sciencedirect.com/science/article/pii/S0927024813003103>

- [35] W. Hoffmann, T. Pellkofer, Thin films in photovoltaics: Technologies and perspectives, *Thin Solid Films* 520 (12) (2012) 4094–4100. doi:10.1016/j.tsf.2011.04.146.

615

URL <http://www.sciencedirect.com/science/article/pii/S0040609011009874>

- [36] M. Hussin, S. Shaari, A. Omar, Z. Zain, Amorphous silicon thin-film: Behaviour of light-induced degradation, *Renew. Sustain. Energy Rev.* 43 (2015) 388–402. doi:10.1016/j.rser.2014.10.093.

620

URL <http://www.sciencedirect.com/science/article/pii/S1364032114009186>

- [37] C. Candelise, J. F. Speirs, R. J. Gross, Materials availability for thin film (TF) PV technologies development: A real concern?, *Renew. Sustain. En-*

- 625 ergy Rev. 15 (9) (2011) 4972–4981. doi:10.1016/j.rser.2011.06.012.
URL <http://www.sciencedirect.com/science/article/pii/S136403211100298X>
- [38] T. Hoff, J. Iannucci, Maximizing the benefits derived from PV plants: Selecting the best plant design and plant location, in: IEEE Conf. Photovolt. Spec., IEEE, 1990, pp. 892–897. doi:10.1109/PVSC.1990.111749.
630 URL <http://ieeexplore.ieee.org>
- [39] S. Yilmaz, H. R. Ozcalik, S. Kesler, F. Dincer, B. Yelmen, The analysis of different PV power systems for the determination of optimal PV panels and system installationA case study in Kahraman-
635 maras, Turkey, Renew. Sustain. Energy Rev. 52 (2015) 1015–1024. doi:10.1016/j.rser.2015.07.146.
URL <http://www.sciencedirect.com/science/article/pii/S1364032115007935>
- [40] IRENA, Renewable Energy technologies: cost analysis series (Solar Photovoltaics), Tech. rep., IRENA (2012).
640 URL https://www.irena.org/DocumentDownloads/Publications/RE_Technologies_Cost_Analysis-SOLAR_PV.pdf
- [41] J. Tao, S. Yu, Review on feasible recycling pathways and technologies of solar photovoltaic modules, Sol. Energy Mater. Sol. Cells 141 (2015)
645 108–124. doi:10.1016/j.solmat.2015.05.005.
URL <http://www.sciencedirect.com/science/article/pii/S092702481500210X>
- [42] S. Kjaer, J. Pedersen, F. Blaabjerg, A Review of Single-Phase Grid-Connected Inverters for Photovoltaic Modules, IEEE Trans. Ind. Appl.
650 41 (5) (2005) 1292–1306. doi:10.1109/TIA.2005.853371.
URL <http://ieeexplore.ieee.org>
- [43] M. S. Agamy, M. Harfman-Todorovic, A. Elasser, R. L. Steigerwald, J. A. Sabate, S. Chi, A. J. McCann, L. Zhang, F. Mueller, A high efficiency

- 655 DC-DC converter topology suitable for distributed large commercial and
utility scale PV systems, in: 2012 15th Int. Power Electron. Motion Control
Conf., IEEE, 2012, pp. LS2d.3–1–LS2d.3–6. doi:10.1109/EPEPEMC.2012.
6397420.
URL <http://ieeexplore.ieee.org>
- [44] M. Taghvaei, M. Radzi, S. Moosavain, H. Hizam, M. Hamiruce Marhaban,
660 A current and future study on non-isolated DCDC converters for pho-
tovoltaic applications, *Renew. Sustain. Energy Rev.* 17 (2013) 216–227.
doi:10.1016/j.rser.2012.09.023.
URL <http://www.sciencedirect.com>
- [45] W. Li, X. He, Review of Nonisolated High-Step-Up DC/DC Converters
665 in Photovoltaic Grid-Connected Applications, *IEEE Trans. Ind. Electron.*
58 (4) (2011) 1239–1250. doi:10.1109/TIE.2010.2049715.
URL <http://ieeexplore.ieee.org>
- [46] M. Ciobotaru, V. G. Agelidis, Large-scale PV system based on the mul-
tiphase isolated DC/DC converter, in: 2012 3rd IEEE Int. Symp. Power
670 Electron. Distrib. Gener. Syst., IEEE, 2012, pp. 801–807. doi:10.1109/
PEDG.2012.6254093.
URL <http://ieeexplore.ieee.org>
- [47] M. Rashid, *Power electronics handbook.*, 2001.
- [48] J. Rodriguez, L. Franquelo, S. Kouro, J. Leon, R. Portillo, M. Prats,
675 M. Perez, Multilevel Converters: An Enabling Technology for
High-Power Applications, *Proc. IEEE* 97 (11) (2009) 1786–1817.
doi:10.1109/JPROC.2009.2030235.
URL [http://ieeexplore.ieee.org/articleDetails.jsp?arnumber=
5290111](http://ieeexplore.ieee.org/articleDetails.jsp?arnumber=5290111)
- 680 [49] S. Rivera, S. Kouro, B. Wu, J. I. Leon, J. Rodriguez, L. G. Franquelo,
Cascaded H-bridge multilevel converter multistring topology for large scale

photovoltaic systems, in: 2011 IEEE Int. Symp. Ind. Electron., IEEE, 2011, pp. 1837–1844. doi:10.1109/ISIE.2011.5984437.

URL <http://ieeexplore.ieee.org>

- 685 [50] S. Kouro, K. Asfaw, R. Goldman, R. Snow, B. Wu, J. Rodriguez, NPC multilevel multistring topology for large scale grid connected photovoltaic systems, in: 2nd Int. Symp. Power Electron. Distrib. Gener. Syst., IEEE, 2010, pp. 400–405. doi:10.1109/PEDG.2010.5545744.

URL <http://ieeexplore.ieee.org/>

- 690 [51] S. Ozdemir, N. Altin, I. Sefa, Single stage three level grid interactive MPPT inverter for PV systems, *Energy Convers. Manag.* 80 (2014) 561–572. doi:10.1016/j.enconman.2014.01.048.

URL <http://www.sciencedirect.com>

- [52] O. Gomis-Bellmunt, L. Serrano-Salamanca, R. Ferrer-San-José, 695 C. Pacheco-Navas, M. Aragiés-Peñalba, E. Bullich-Massagué, Power plant control in large-scale photovoltaic plants: design, implementation and validation in a 9.4 MW photovoltaic plant, *IET Renew. Power Gener.* doi:10.1049/iet-rpg.2015.0113.

URL [http://digital-library.theiet.org/content/journals/10.](http://digital-library.theiet.org/content/journals/10.1049/iet-rpg.2015.0113)

700 [1049/iet-rpg.2015.0113](http://digital-library.theiet.org/content/journals/10.1049/iet-rpg.2015.0113)

- [53] R. Shah, N. Mithulananthan, R. Bansal, V. Ramachandaramurthy, A review of key power system stability challenges for large-scale PV integration, *Renew. Sustain. Energy Rev.* 41 (2015) 1423–1436. doi:10.1016/j.rser.2014.09.027.

705 URL <http://www.sciencedirect.com/science/article/pii/S1364032114008004>

- [54] S. Testa, A. De Caro, T. Scimone, Sizing of step-up transformers for PV plants through a Probabilistic Approach.

URL <http://www.wseas.org>

- 710 [55] B. Engel, G. Bettenwort, V. Sakschewski, O. Glitza, T. Fawzy, D. Premm,
How to Represent PV Plants in Grid Integration Studies - A Generic
Approach, 26th Eur. Photovolt. Sol. Energy Conf. Exhib. (2011) 3862–
3868doi:10.4229/26thEUPVSEC2011-5A0.4.2.
- [56] D. A. Trevas, A. Peterson, K. J. Rapp, J. Luksich, Optimal sizing of so-
715 lar energy transformers using natural ester fluid, in: 2012 11th Int. Conf.
Environ. Electr. Eng., IEEE, 2012, pp. 1006–1010. doi:10.1109/EEEIC.
2012.6221525.
URL <http://ieeexplore.ieee.org>
- [57] Transformers for Solar Power Solutions.
720 URL <http://www.energy.siemens.com>
- [58] DunHuang China Solar Power, Gansu Dunhuang 50MWp Solar PV Power
Station Project, Tech. rep., China (2006).
URL <http://cdm.unfccc.int/Projects/DB/TEC01348832160.15/view>
- [59] Requirements for Medium-Voltage Transformers and Transformers for In-
725 ternal Power Supply for the SUNNY CENTRAL Series CP XT and CP-JP
and for Sunny Central Storage.
URL http://files.sma.de/dl/7356/SC_Trafo-TI-en-51.pdf
- [60] Application paper tripple linx inverter for large rooftop.
URL <http://www.danfoss.com>
- 730 [61] A. Testa, S. De Caro, R. La Torre, T. Scimone, Optimal size selection of
step-up transformers in PV plants, in: XIX Int. Conf. Electr. Mach. - ICEM
2010, IEEE, 2010, pp. 1–6. doi:10.1109/ICELMACH.2010.5607819.
URL <http://ieeexplore.ieee.org>
- [62] B. Hafez, H. S. Krishnamoorthy, P. Enjeti, U. Borup, S. Ahmed, Medium
735 voltage AC collection grid for large scale photovoltaic plants based on
medium frequency transformers, in: 2014 IEEE Energy Convers. Congr.

Expo., IEEE, 2014, pp. 5304–5311. doi:10.1109/ECCE.2014.6954128.

URL <http://ieeexplore.ieee.org>

- 740 [63] M. Meinhardt, G. Cramer, B. Burger, P. Zacharias, Multi-string-converter with reduced specific costs and enhanced functionality, *Sol. Energy* 69 (2001) 217–227. doi:10.1016/S0038-092X(01)00067-6.

URL <http://www.sciencedirect.com>

- 745 [64] M. Ciobotaru, V. G. Agelidis, High gain DC/DC converter for the grid integration of large-scale PV systems, in: 2012 IEEE Int. Symp. Ind. Electron., IEEE, 2012, pp. 1011–1016. doi:10.1109/ISIE.2012.6237227.

URL <http://ieeexplore.ieee.org>

- 750 [65] M. Díez-Mediavilla, M. Dieste-Velasco, M. Rodríguez-Amigo, T. García-Calderón, C. Alonso-Tristán, Performance of grid-tied PV facilities based on real data in Spain: Central inverter versus string system, *Energy Convers. Manag.* 86 (2014) 1128–1133. doi:10.1016/j.enconman.2014.06.087.

URL <http://www.sciencedirect.com>

- 755 [66] M. Brenna, R. Faranda, S. Leva, Dynamic analysis of a new network topology for high power grid connected PV systems, in: IEEE PES Gen. Meet., IEEE, 2010, pp. 1–7. doi:10.1109/PES.2010.5589768.

URL <http://ieeexplore.ieee.org>

- [67] S. Brenna, Morris and Dolara, Alberto and Foiadelli, Federica and Lazaroiu, George C. and Leva, Transient Analysis of Large Scale PV systems with Floating DC section, *Energies* 5 (10) (2012) 3736–3752.

760 URL <http://econpapers.repec.org/RePEc:gam:jeners:v:5:y:2012:i:10:p:3736-3752:d:20344>

- [68] G. Cramer, M. Ibrahim, W. Kleinkauf, PV system technologies, *Refocus* 5 (1) (2004) 38–42. doi:10.1016/S1471-0846(04)00076-9.

URL <http://www.sciencedirect.com>

- 765 [69] B. Lave, H. Grau, U. Borup, String Inverters for PV Power Plants, 24th
Eur. Photovolt. Sol. Energy Conf. 21-25 Sept. 2009, Hamburg, Ger. (2009)
4173–4175doi:10.4229/24thEUPVSEC2009-5BV.2.44.
URL <http://www.eupvsec-proceedings.com/proceedings?paper=4618>
- [70] PV power plants 2014. Industry guide.
770 URL <http://www.pv-power-plants.com/>
- [71] E. Karatepe, T. Hiyama, Performance enhancement of photovoltaic ar-
ray through string and central based MPPT system under non-uniform
irradiance conditions, *Energy Convers. Manag.* 62 (2012) 131–140. doi:
10.1016/j.enconman.2012.03.028.
775 URL <http://www.sciencedirect.com>
- [72] A. Woyte, J. Nijs, R. Belmans, Partial shadowing of photovoltaic arrays
with different system configurations: literature review and field test re-
sults, *Sol. Energy* 74 (3) (2003) 217–233. doi:10.1016/S0038-092X(03)
00155-5.
780 URL <http://www.sciencedirect.com>
- [73] M. Pau, N. Locci, C. Muscas, A tool to define the position and the number
of irradiance sensors in large PV plants, in: 2014 IEEE Int. Energy Conf.,
IEEE, 2014, pp. 374–379. doi:10.1109/ENERGYCON.2014.6850454.
URL [http://ieeexplore.ieee.org/articleDetails.jsp?arnumber=](http://ieeexplore.ieee.org/articleDetails.jsp?arnumber=6850454)
785 [6850454](http://ieeexplore.ieee.org/articleDetails.jsp?arnumber=6850454)
- [74] P. Guerriero, V. D’Alessandro, L. Petrazzuoli, G. Vallone, S. Daliento,
Effective real-time performance monitoring and diagnostics of individual
panels in PV plants, in: 2013 Int. Conf. Clean Electr. Power, IEEE, 2013,
pp. 14–19. doi:10.1109/ICCEP.2013.6586958.
790 URL [http://ieeexplore.ieee.org/articleDetails.jsp?arnumber=](http://ieeexplore.ieee.org/articleDetails.jsp?arnumber=6586958)
[6586958](http://ieeexplore.ieee.org/articleDetails.jsp?arnumber=6586958)
- [75] Danfoss, Danfoss FLX String Inverters for PV power Plants, Tech. rep.,

Danfoss, Denmark (2014).

URL <http://www.danfoss.com>

- 795 [76] Danfoss, String inverters for PV power plants, Tech. rep., Danfoss, Denmark (2009).

URL <http://www.danfoss.com>

- [77] A. Elis, Y. Kazachkov, et al., IEC TF88-WG27-Oct 2009 Wind Modeling Update, Tech. rep. (2009).

800 URL <https://www.wecc.biz>