



UNIVERSITAT POLITÈCNICA DE CATALUNYA
BARCELONATECH

Escola Superior d'Enginyeries Industrial,
Aeroespacial i Audiovisual de Terrassa

Design of an autonomous drone for agricultural control

Document:

Drawings

Author:

Alexandru Turcoman

Director /Co-director:

Luis Manuel Pérez Llera

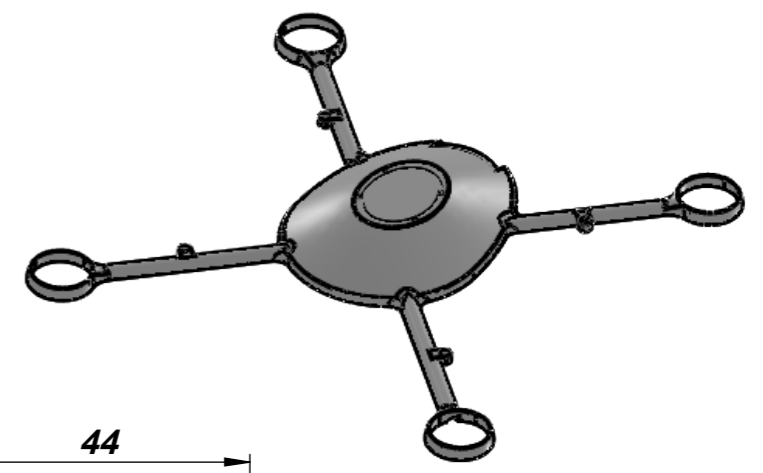
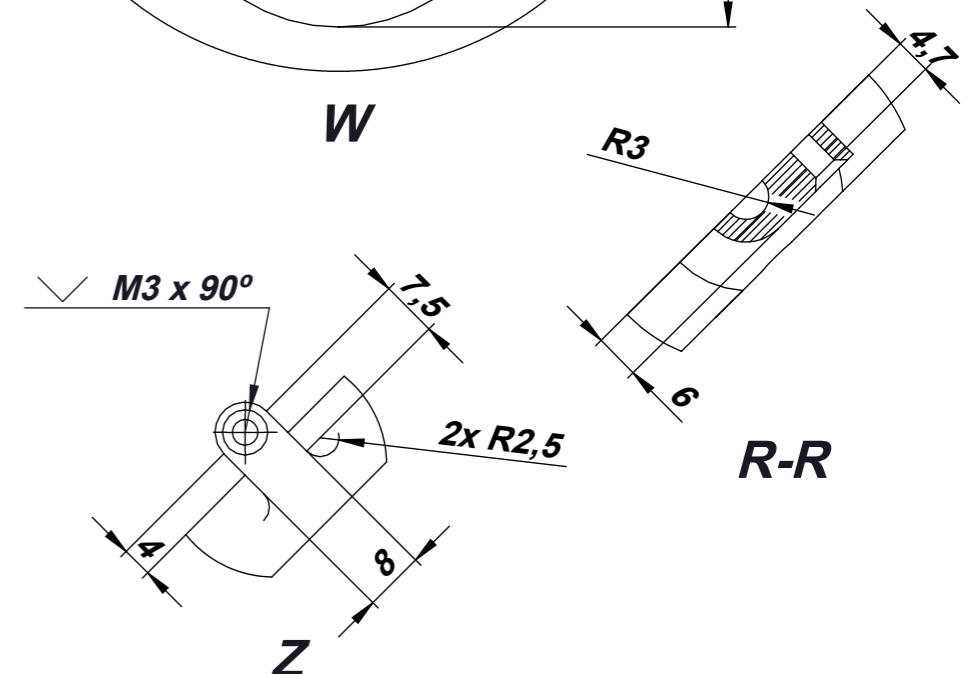
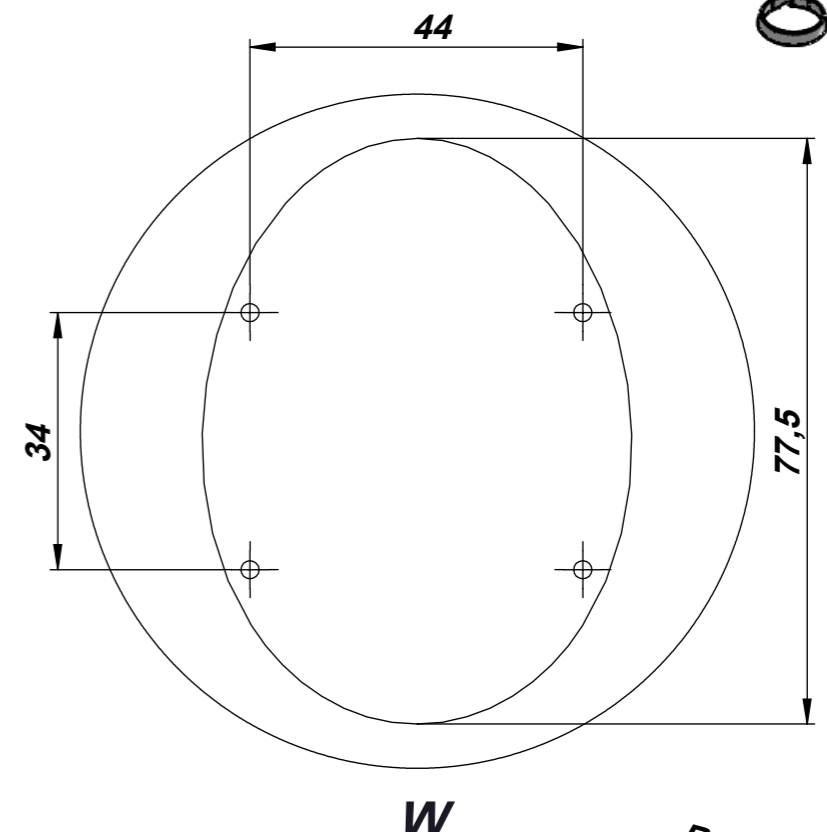
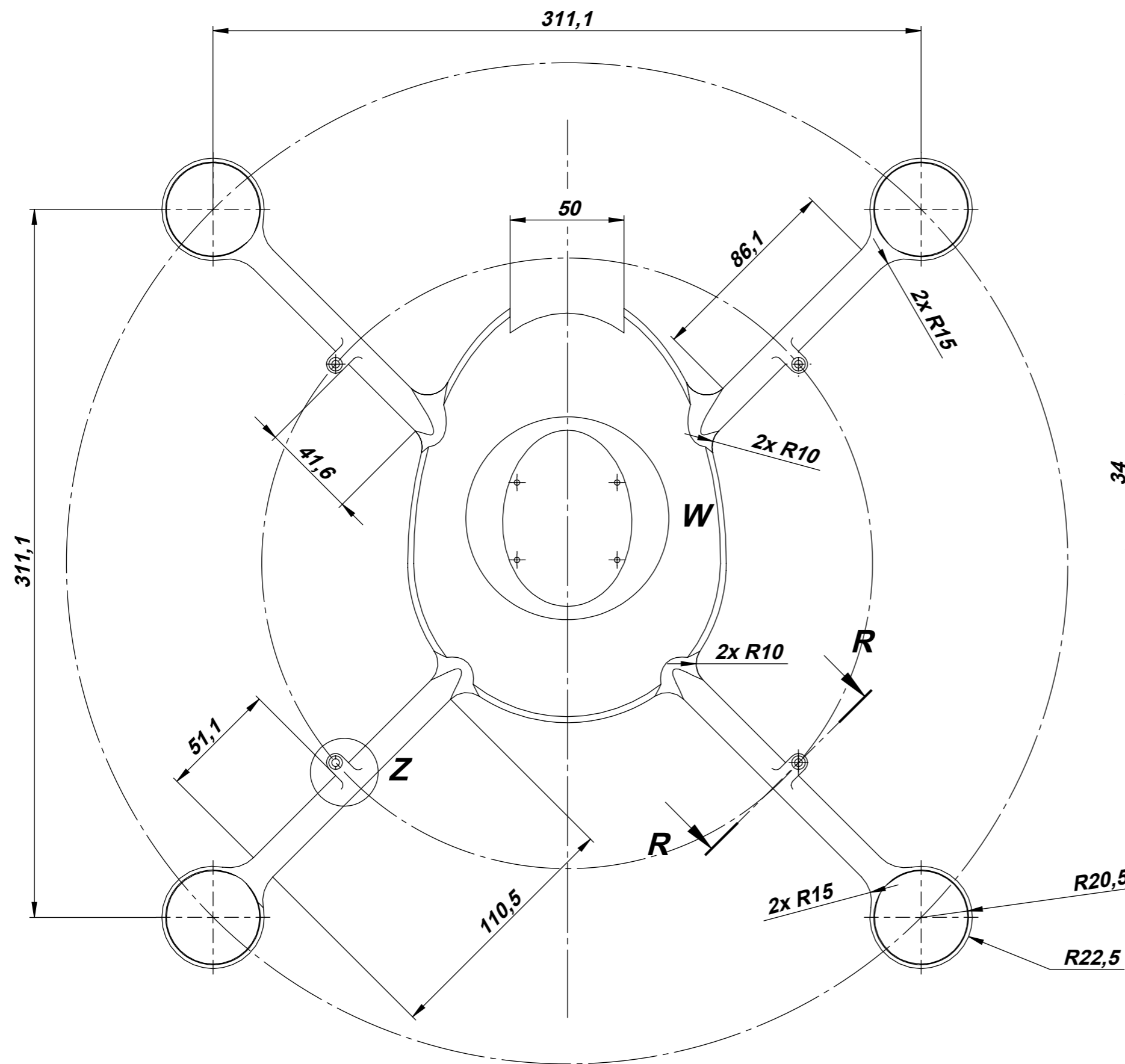
Degree:

Bachelor in aerospace vehicle engineering

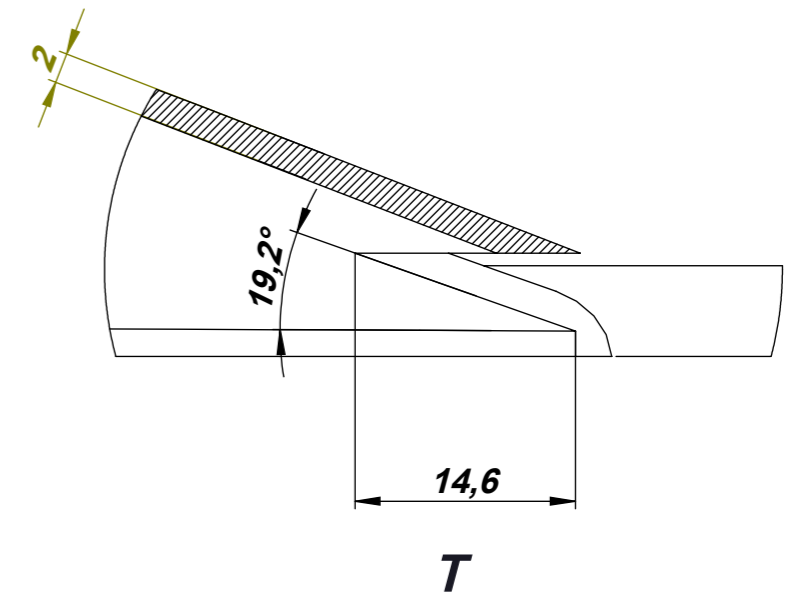
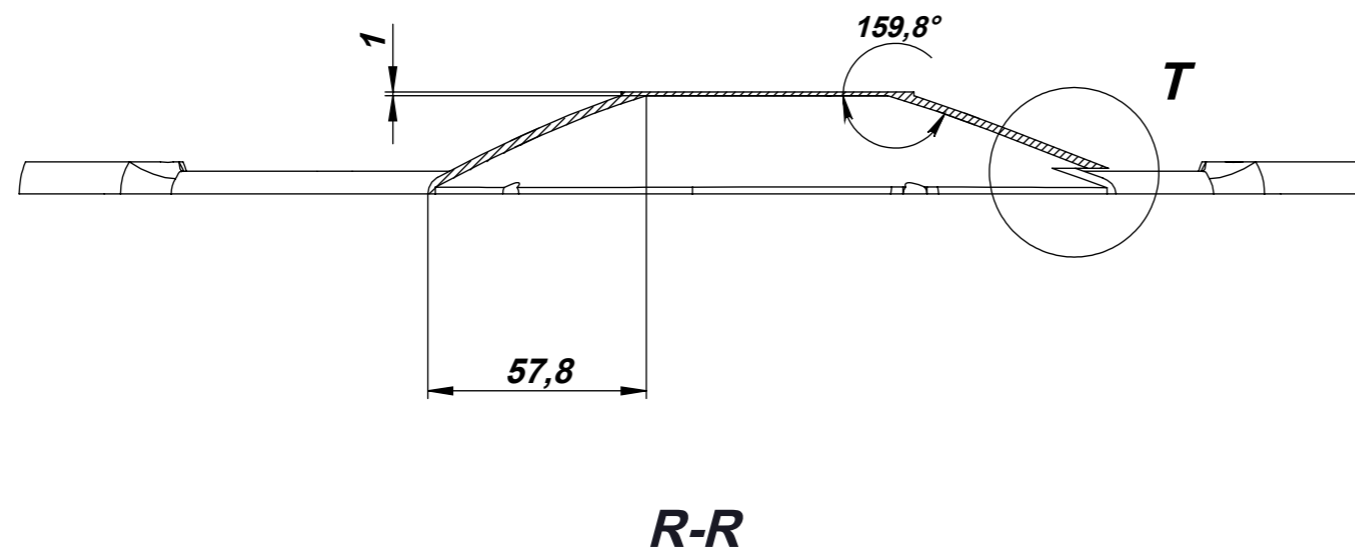
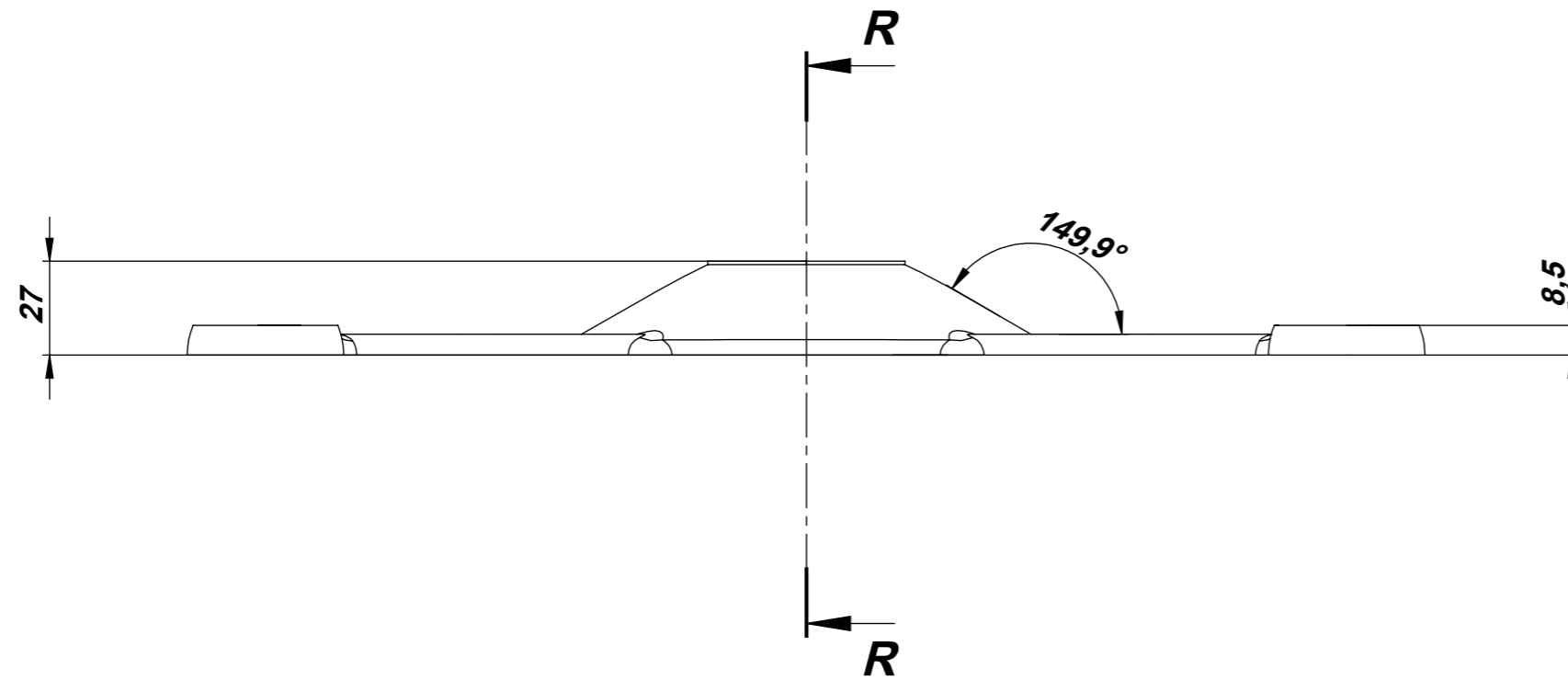
Examination session:

Spring, 2023

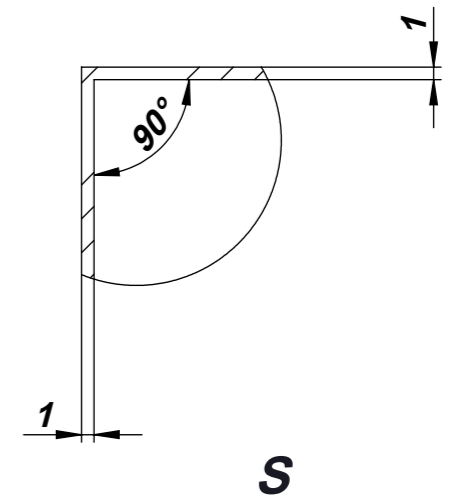
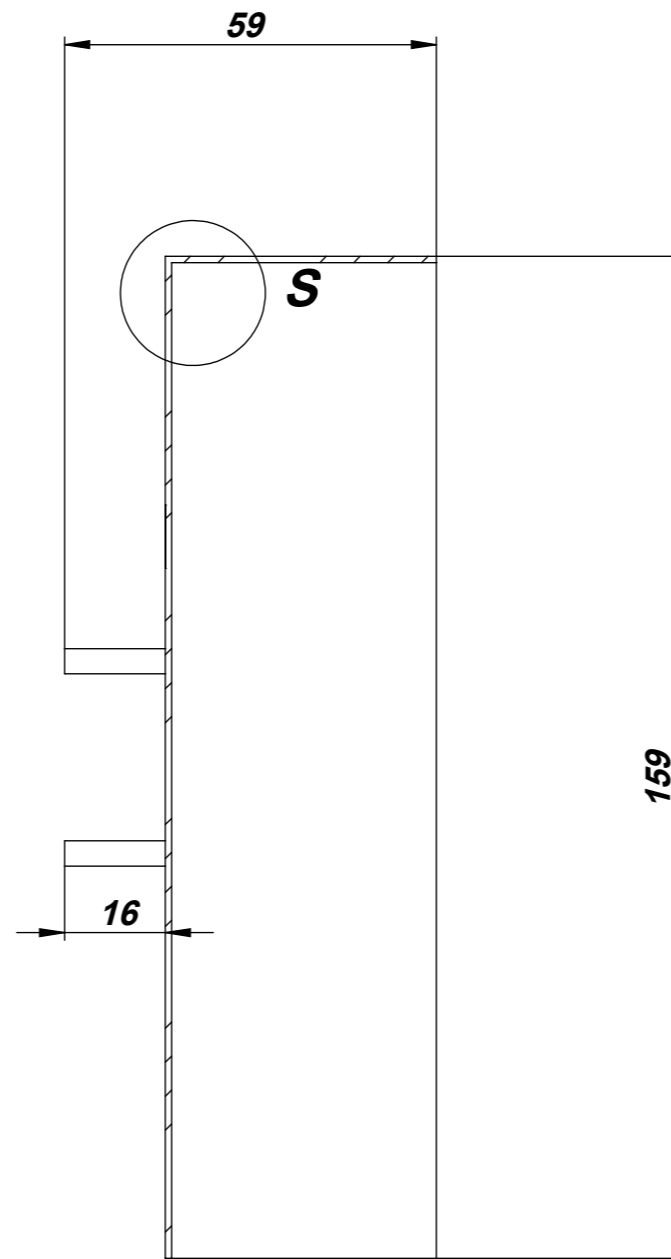
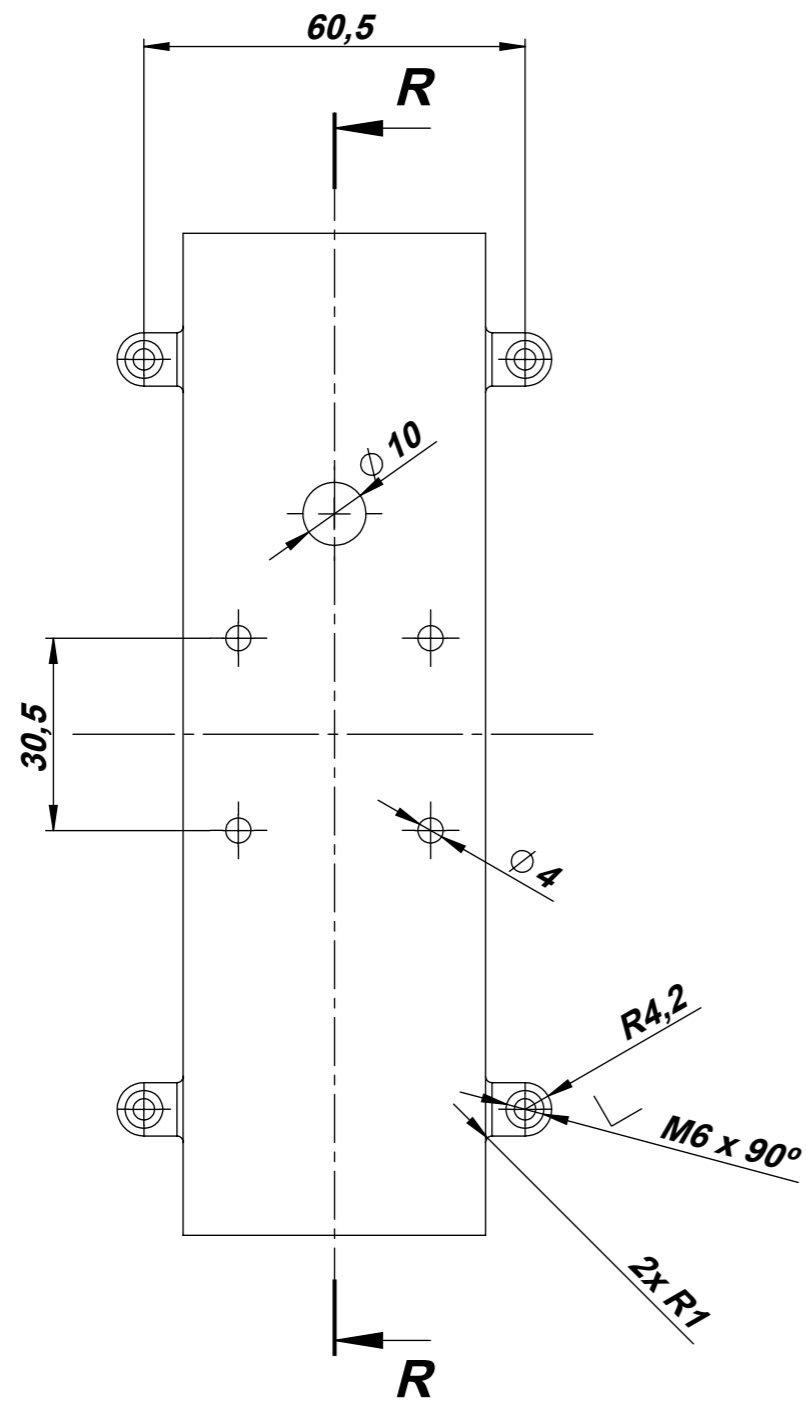
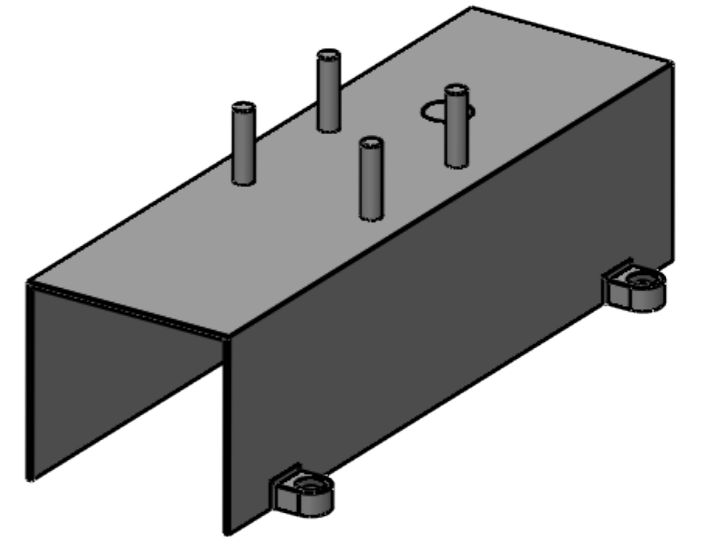
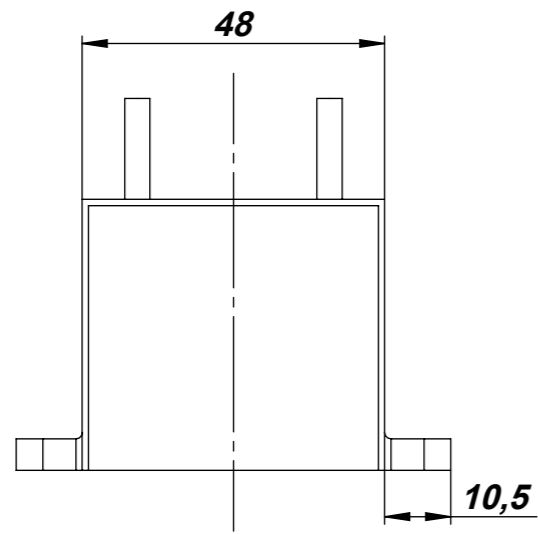
BACHELOR FINAL THESIS



SCALE	DESIGN OF AN AUTONOMOUS DRONE FOR AGRICULTURAL CONTROL		UPC TERRASSA	ESEIAAT
1:2	DATE	UPPER FRAME	NAME:	1/2
	12-01-2023		ALEXANDRU TURCOMAN	



SCALE	DESIGN OF AN AUTONOMOUS DRONE FOR AGRICULTURAL CONTROL		UPC TERRASSA	ESEIAAT
1:2	DATE 12-01-2023	UPPER FRAME	NAME: ALEXANDRU TURCOMAN	2/2



R-R

SCALE

1:2

DESIGN OF AN AUTONOMOUS DRONE
FOR AGRICULTURAL CONTROL

DATE
12-01-2023

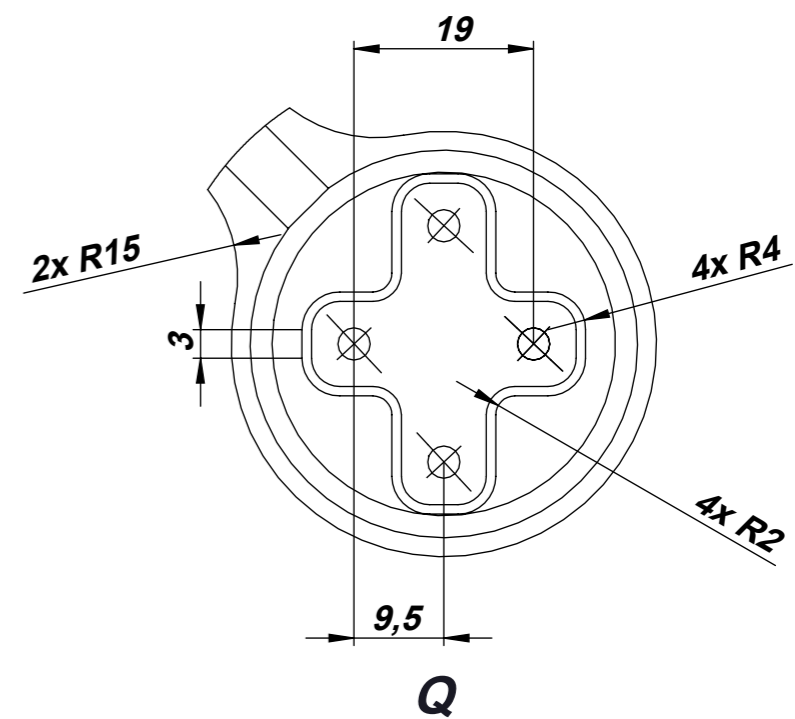
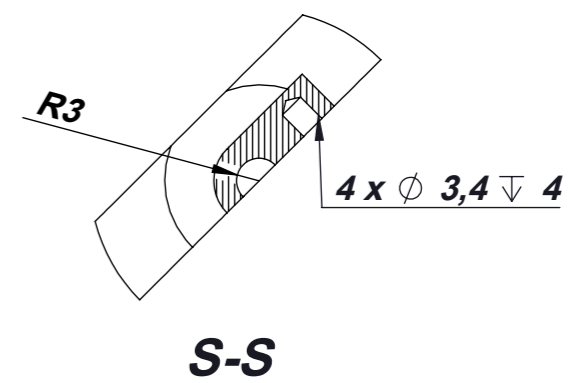
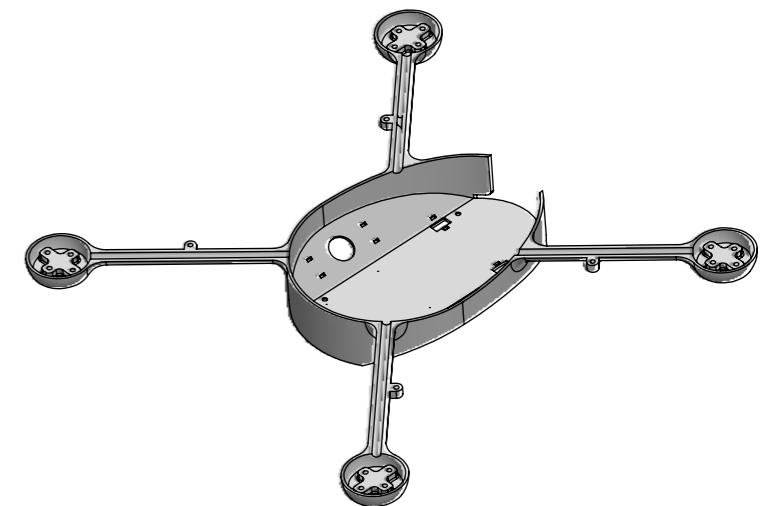
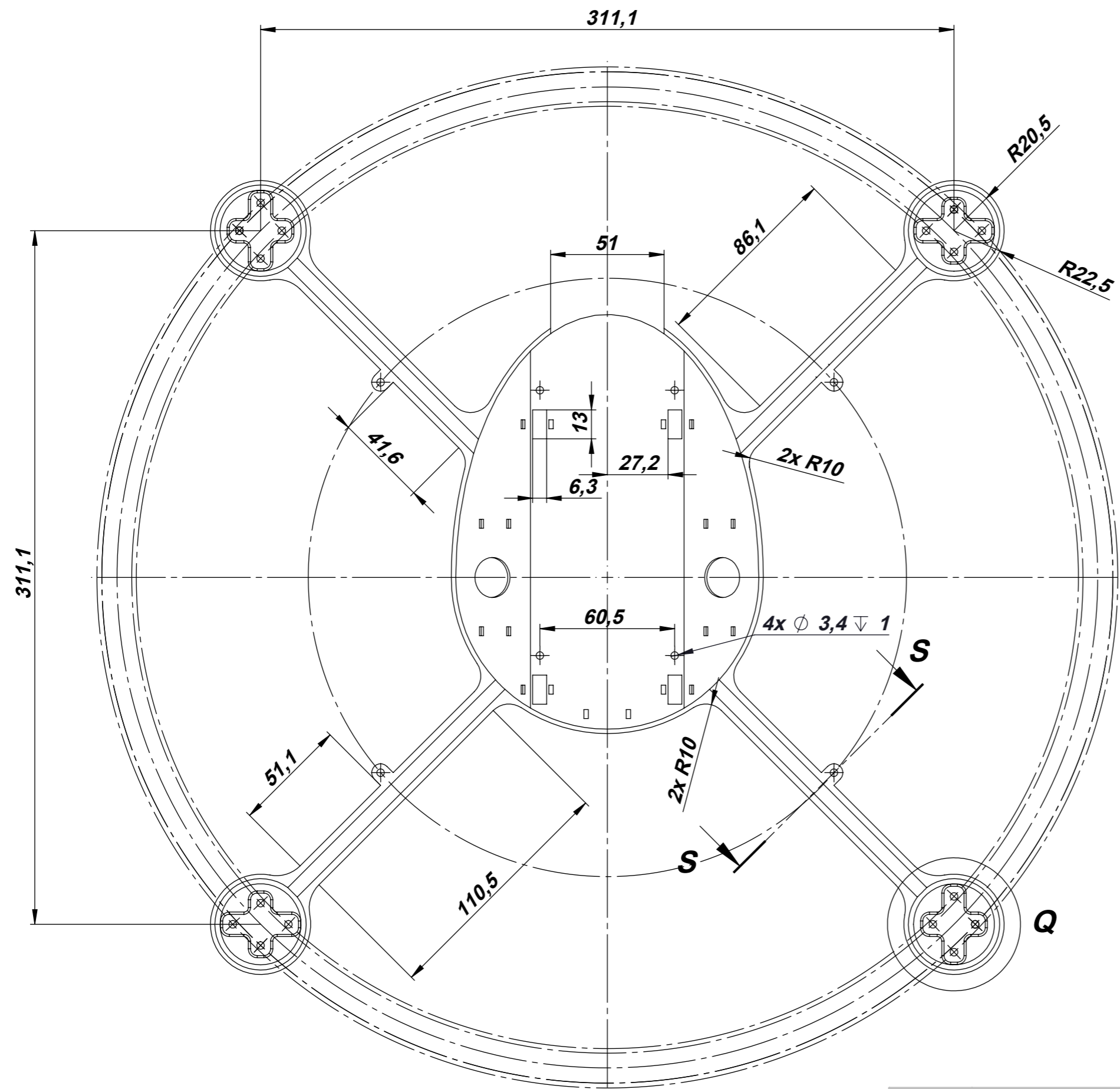
INNER BRACKET

UPC
TERRASSA

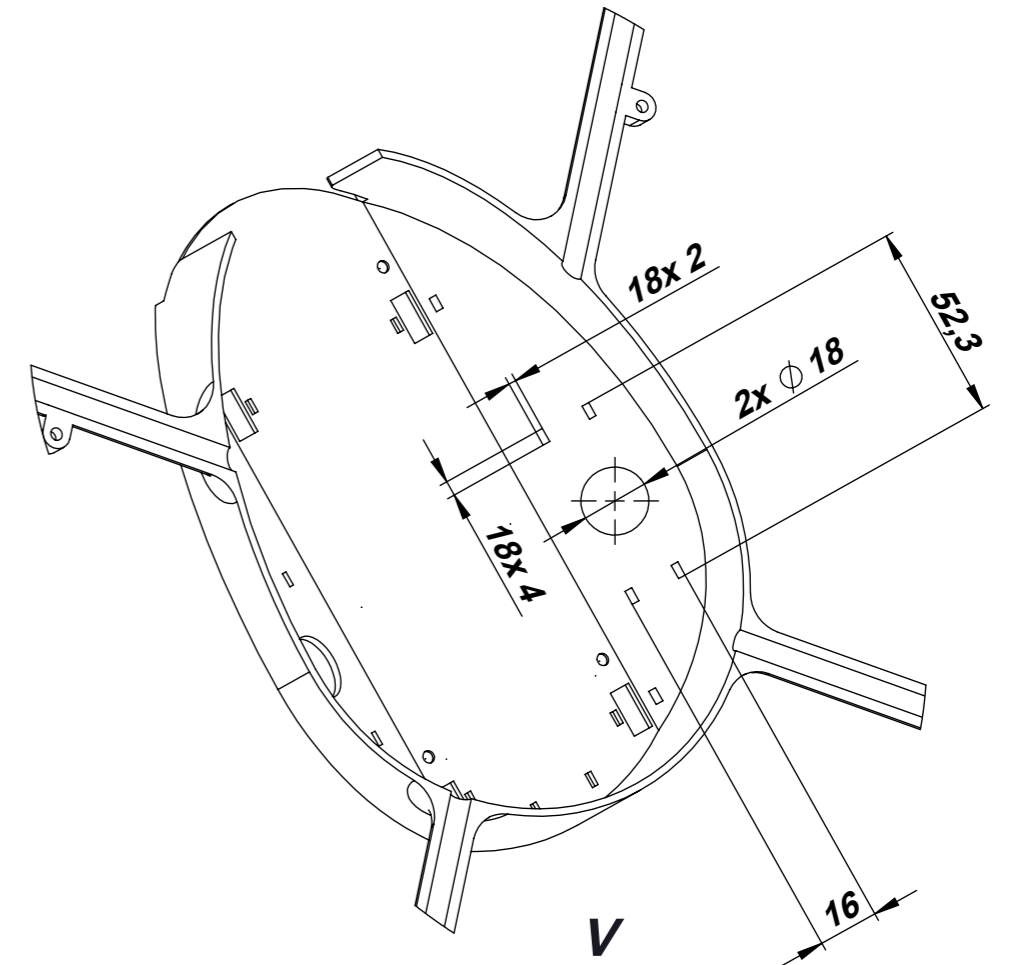
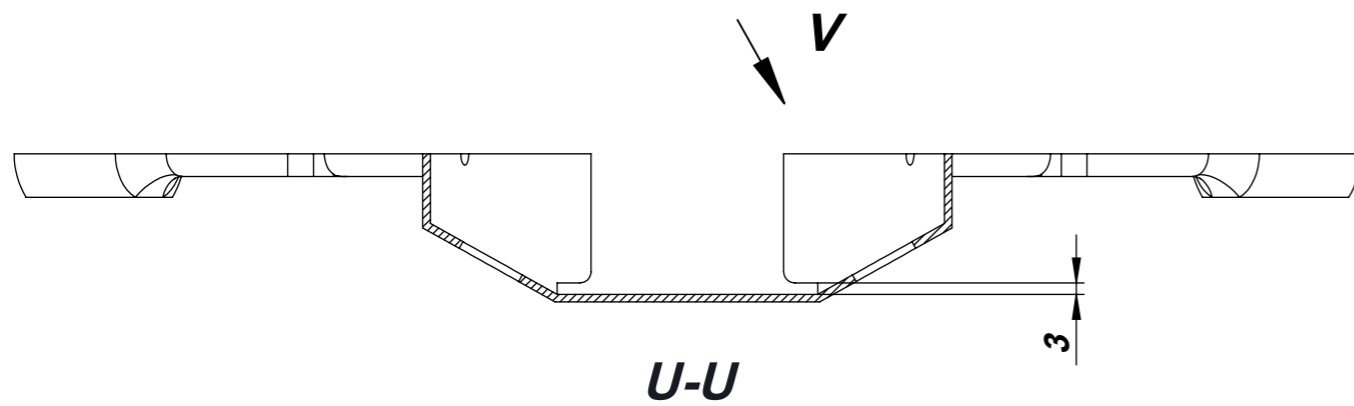
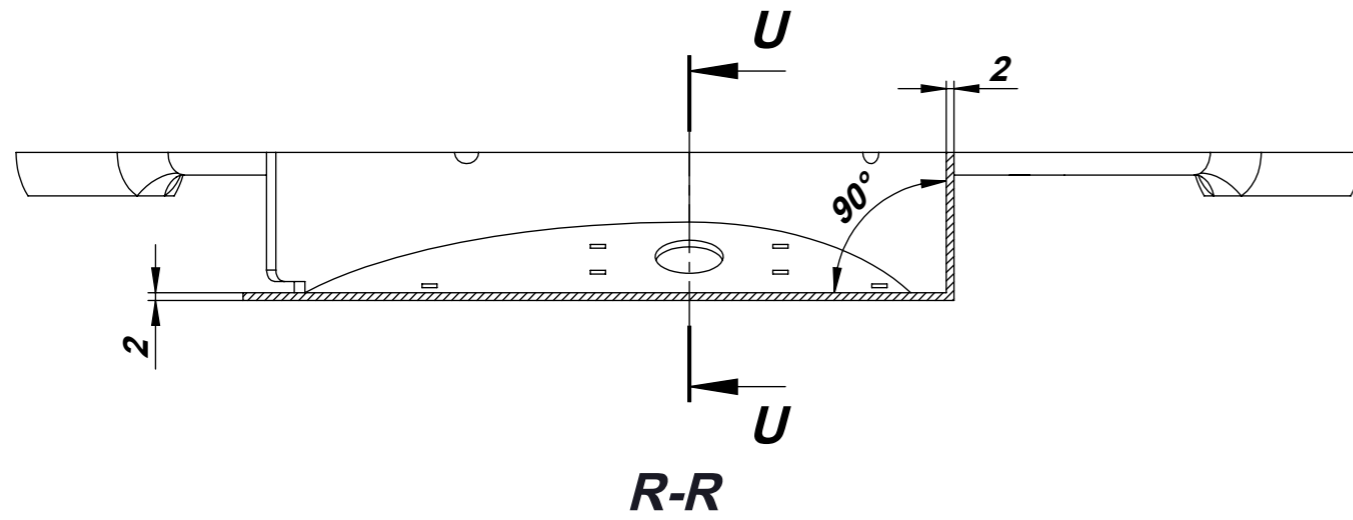
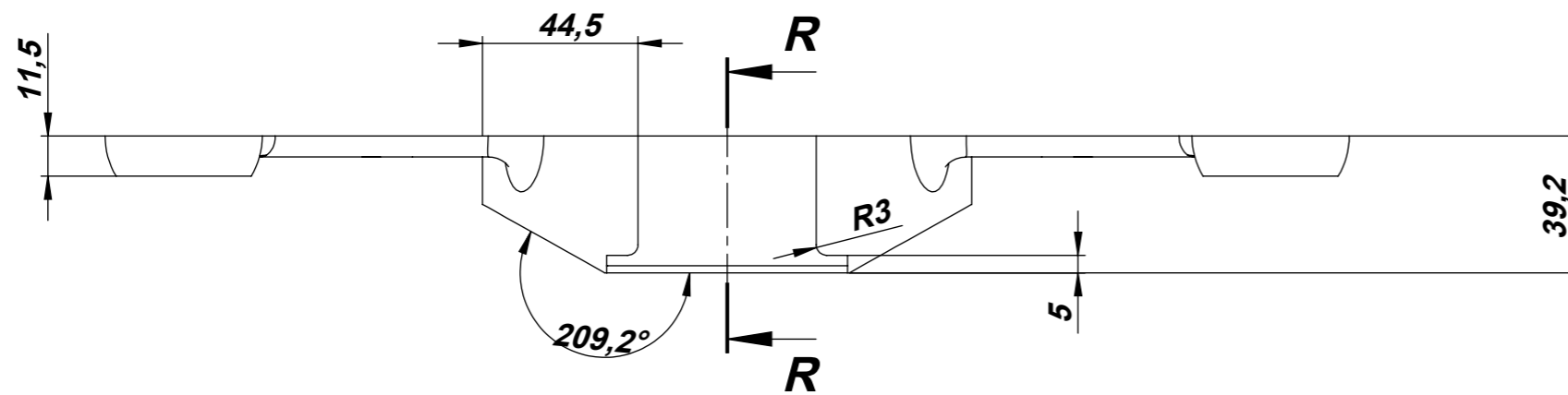
ESEIAAT

NAME:
ALEXANDRU TURCOMAN

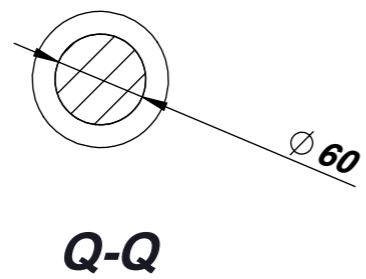
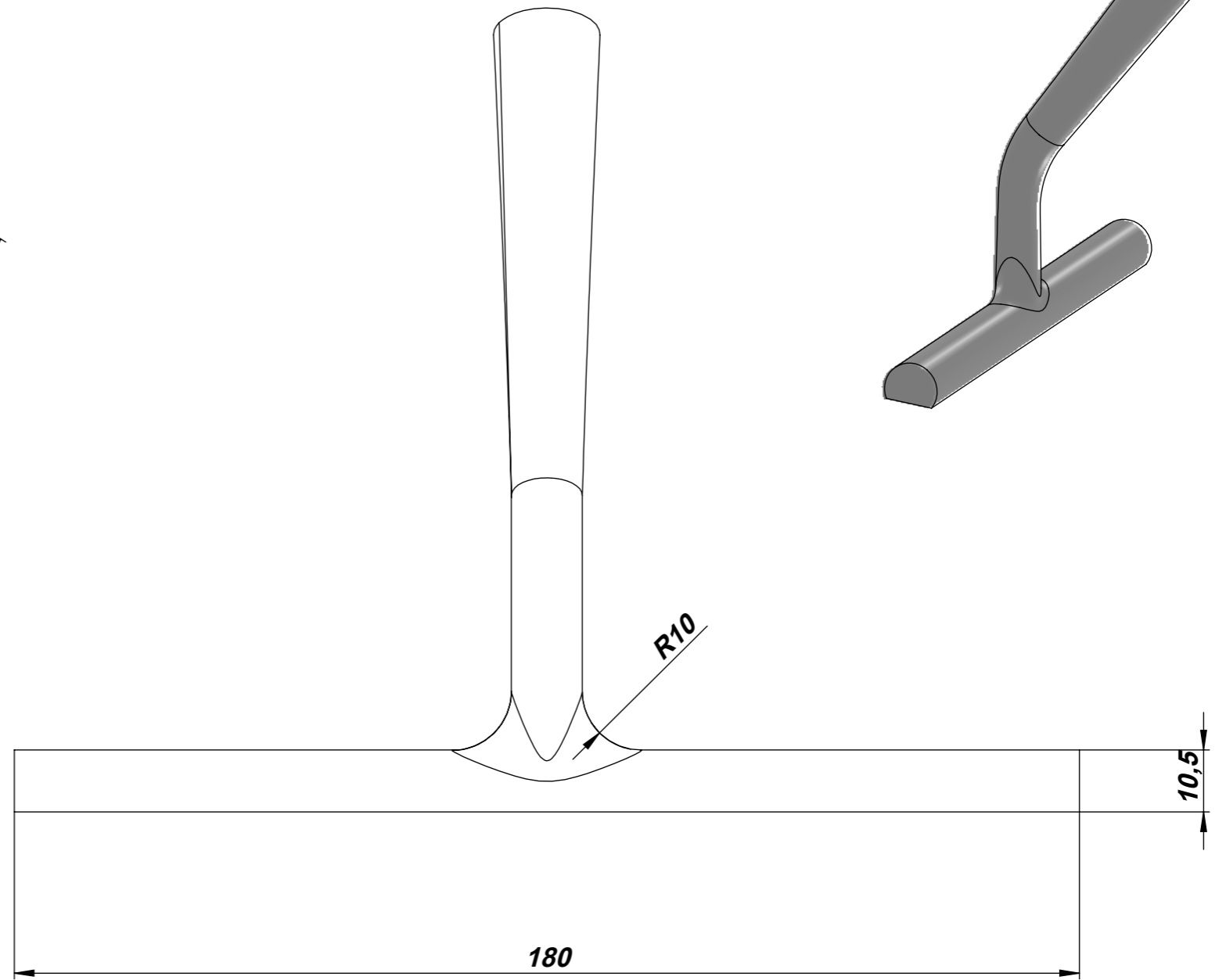
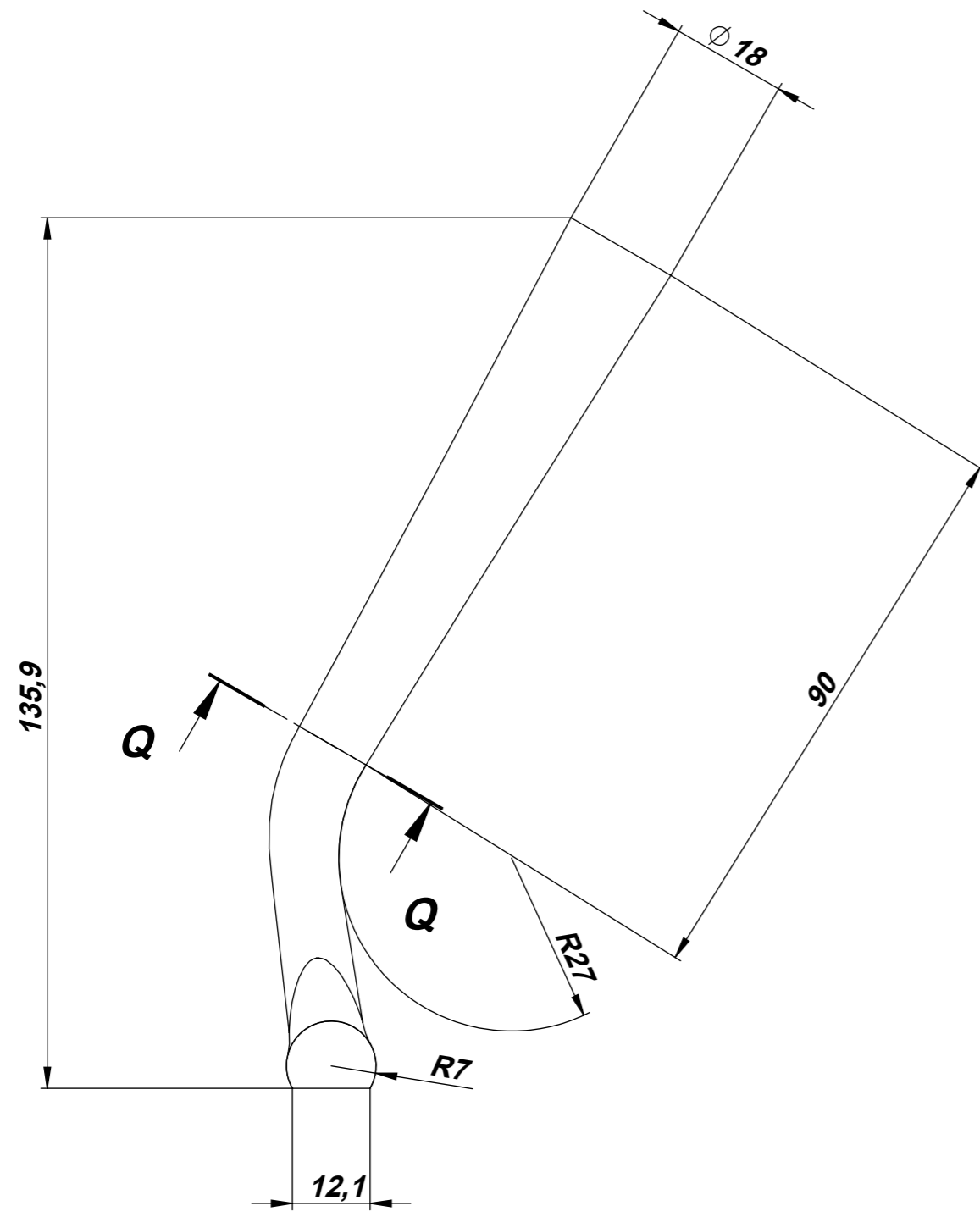
1/1



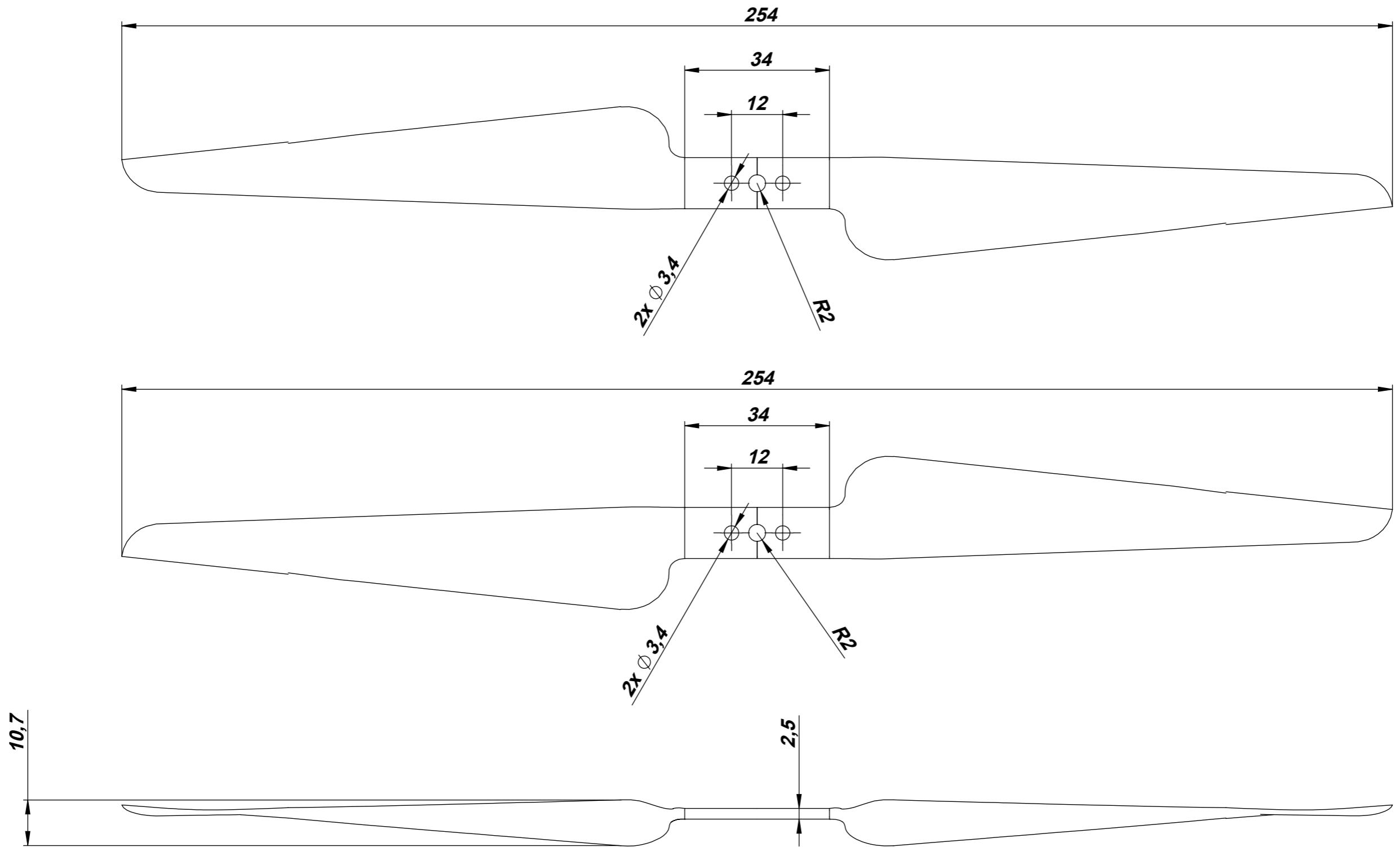
SCALE 1:2	DESIGN OF AN AUTONOMOUS DRONE FOR AGRICULTURAL CONTROL		UPC TERRASSA	ESEIAAT	
	DATE 12-01-2023	LOWER FRAME		NAME: ALEXANDRU TURCOMAN	1/2



SCALE	DESIGN OF AN AUTONOMOUS DRONE FOR AGRICULTURAL CONTROL		UPC TERRASSA	ESEIAAT
1:2	DATE 12-01-2023	LOWER FRAME	NAME: ALEXANDRU TURCOMAN	2/2



SCALE	DESIGN OF AN AUTONOMOUS DRONE FOR AGRICULTURAL CONTROL		UPC TERRASSA	ESEIAAT
1:1	DATE 12-01-2023	LANDING GEAR LEG	NAME: ALEXANDRU TURCOMAN	1/1



SCALE 1:1	DESIGN OF AN AUTONOMOUS DRONE FOR AGRICULTURAL CONTROL		UPC TERRASSA	ESEIAAT	
	DATE 12-01-2023	CW AND CCW PROPELLERS		NAME: ALEXANDRU TURCOMAN	1/1