



UNIVERSITAT POLITÈCNICA DE CATALUNYA
BARCELONATECH

**Escola Superior d'Enginyeries Industrial,
Aeroespacial i Audiovisual de Terrassa**

STUDY AND IMPLEMENTATION OF A MIDDLE-SIZED ROCKET MOTOR BENCH TEST SYSTEM

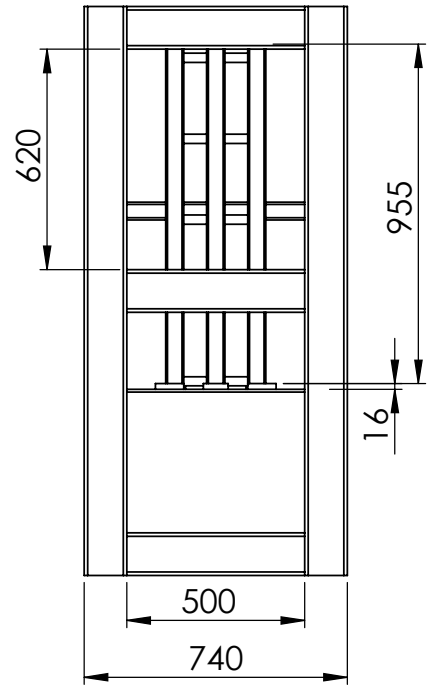
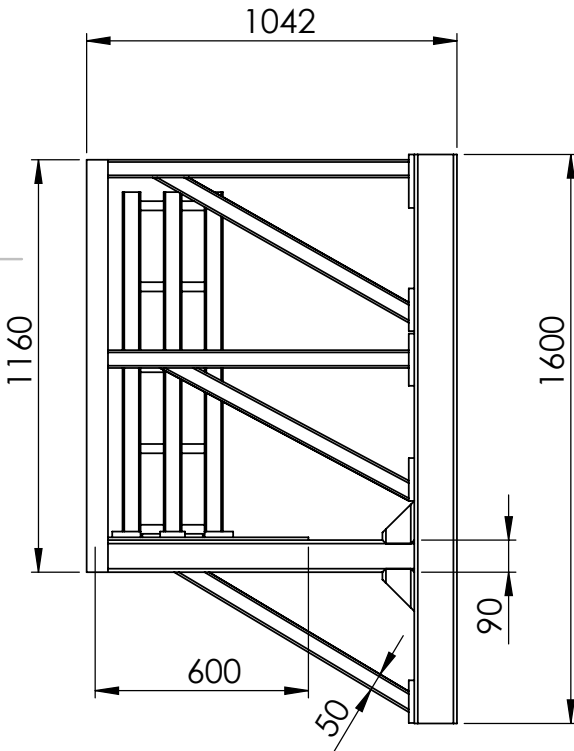
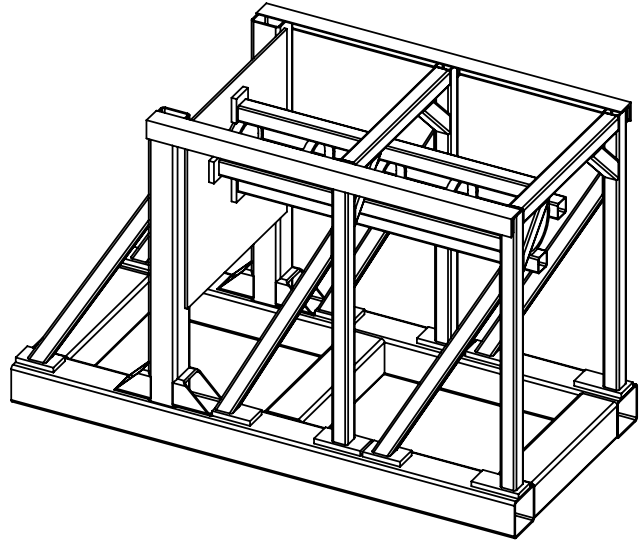
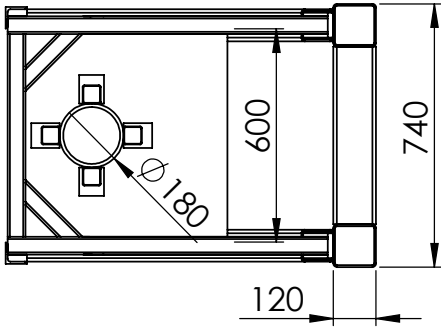
FINAL MASTER THESIS - DRAWINGS

**MASTER'S DEGREE IN AEROSPACE ENGINEERING
UNIVERSITAT POLITÈCNICA DE CATALUNYA**

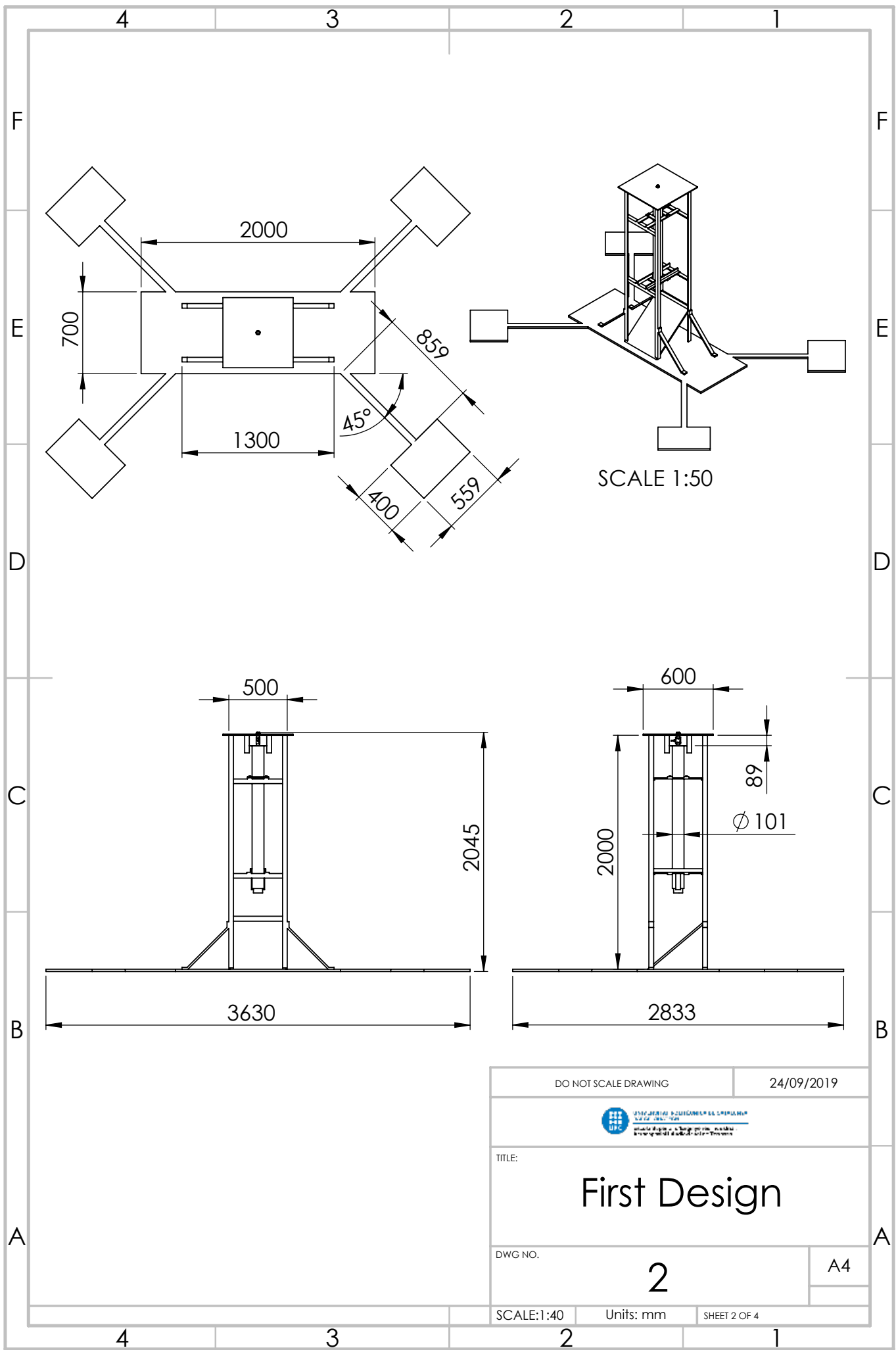
September 30th, 2019

**AUTHOR:
ADRIÁN OLIVARES RODRÍGUEZ**

**DIRECTOR:
JAUME SOLÉ BOSQUET**



DO NOT SCALE DRAWING		24/09/2019	
TITLE:			
<h1>Final Structure</h1>			
DWG NO.		A4	
<h1>1</h1>			
SCALE: 1:20	Units: mm	SHEET 1 OF 4	



DO NOT SCALE DRAWING

24/09/2019



TITLE:

First Design

DWG NO.

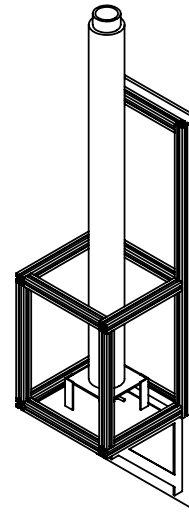
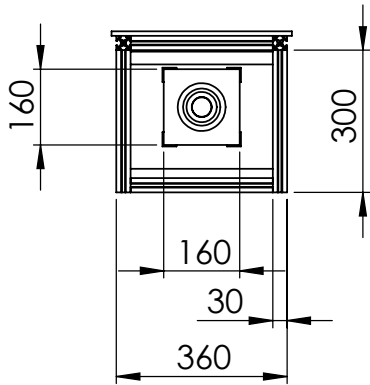
2

A4

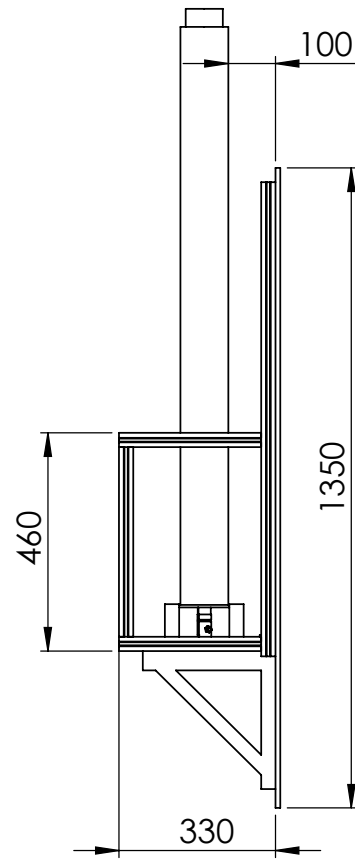
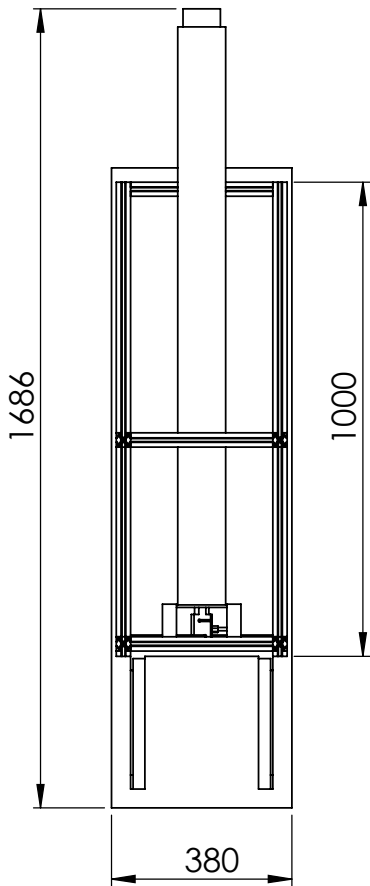
SCALE:1:40

Units: mm

SHEET 2 OF 4



SCALE 1:20



DO NOT SCALE DRAWING

24/09/2019



TITLE:

Second Design

DWG NO.

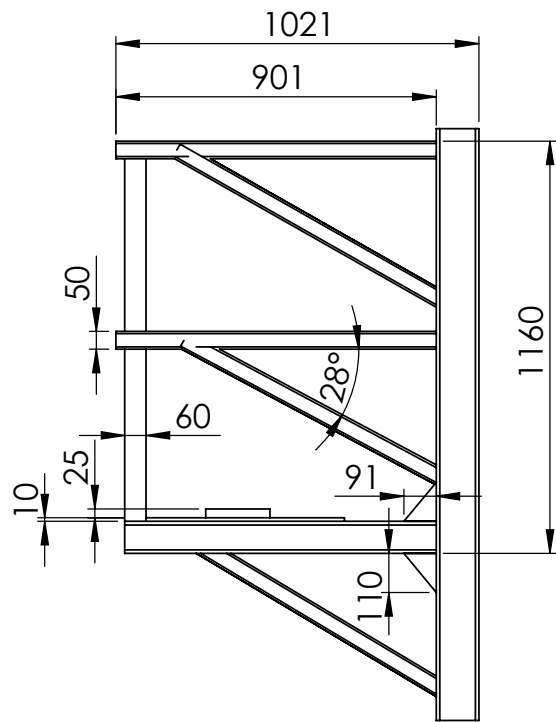
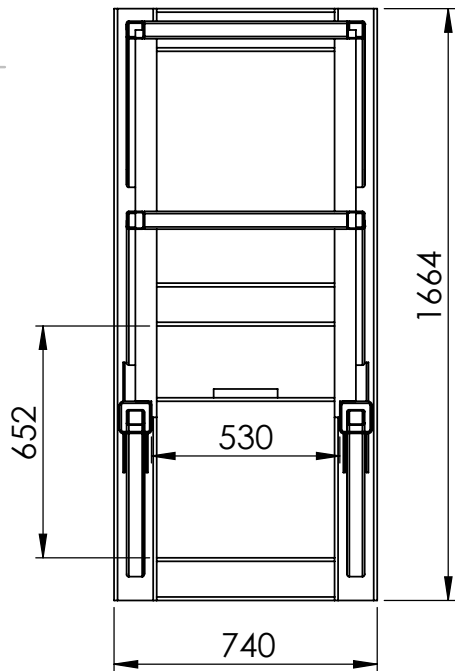
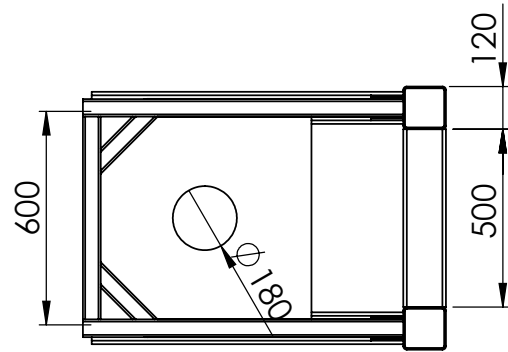
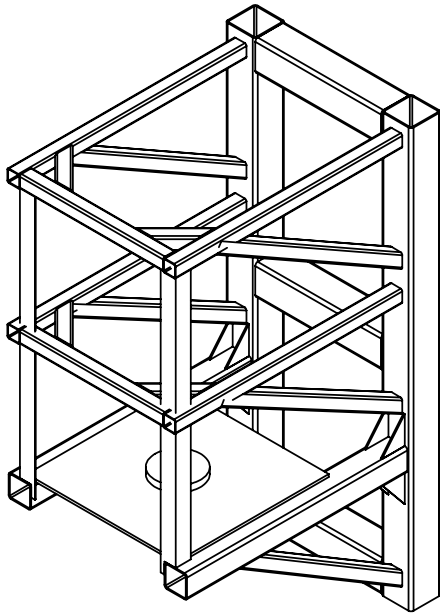
3

A4

SCALE:1:15

Units: mm

SHEET 3 OF 4



DO NOT SCALE DRAWING

24/09/2019



TITLE:

Simplified Structure
for simulations

DWG NO.

4

A4

SCALE:1:20

Units: mm

SHEET 4 OF 4