

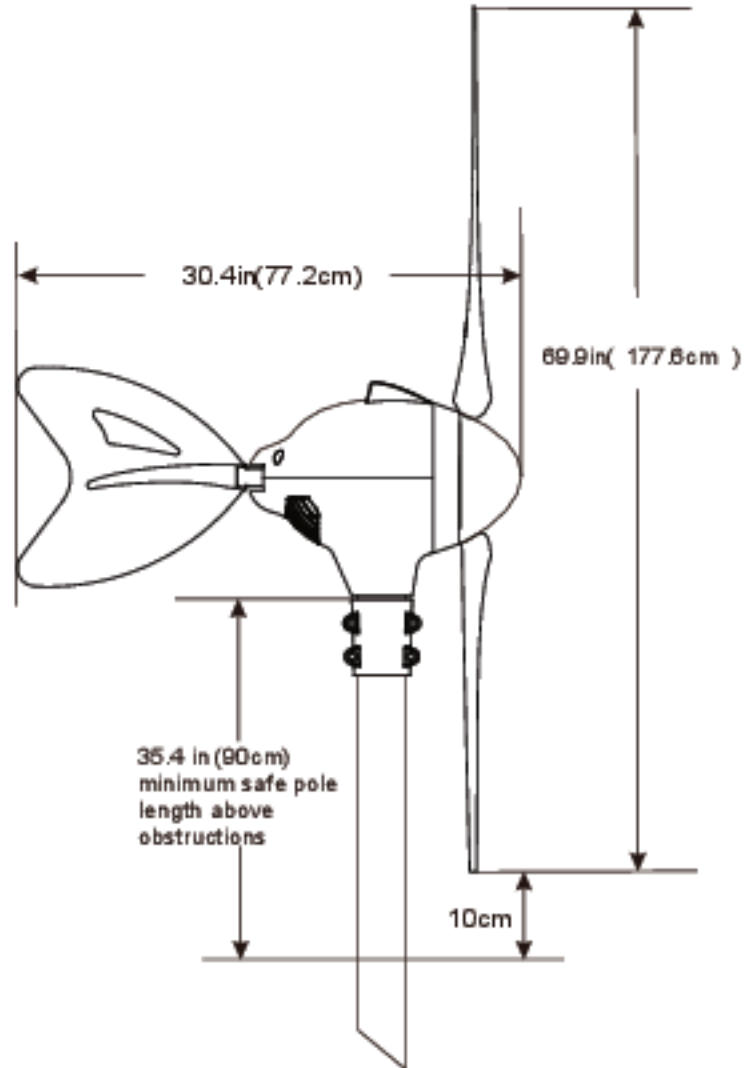
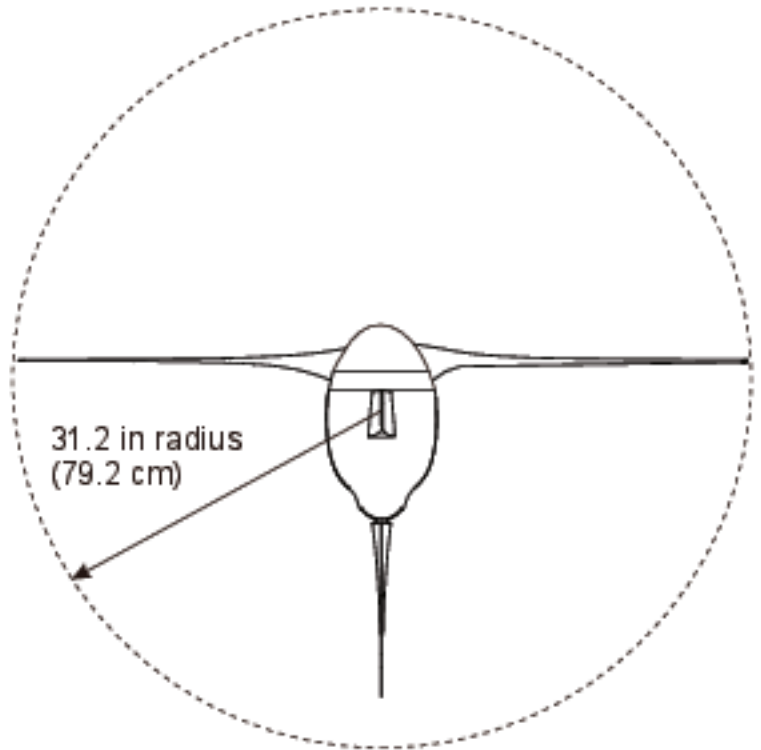
ANNEX

TECHNO SUN

FSH2000

A revolution wind turbine

Excellent wind turbine!



Easy For:

Home

Telecom

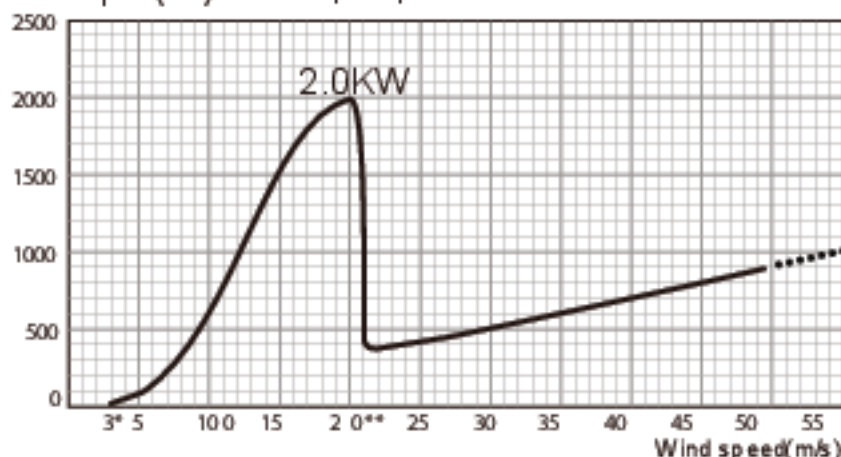
Business/Retail

Government

Specifications

Wind Turbine Type	Horizontal axis, up-wind
UPC code	839290007075
Rotor Diameter	1776mm (69.9 ")
Weight	18kg(38lbs)
Mount Diameter	48.6mm (1-15/16 ")
Number Blades	3
Blade Material	Carbon-fiber
Blade Mass (per piece)	532g
Body Material	Aluminum diecast
Product Finish	Telfon-based paint
Generator	Synchronous-type, three phase power generator with neodymium iron boron magnets
Controller	Built-in
Yaw control	Free yaw(360 degrees)
Over Wind Control	Stall control
Start-up wind speed	3m/s(11KPH, 6.7MPH)
Cut-out wind speed	20m/s(72KPH, 45MPH)
Survival wind speed	49.2m/s(177KPH, 110MPH)
Rated Power	1KW (12.5m/s, 45KPH, 28MPH)
Rated Rotor Speed	1000rpm
Maximum Power	2KW(20m/s,72KPH, 45MPH)
Output Voltage	DC24/DC48V
Braking System	Regenerative electromagnetic braking system
Communication System	Remote monitor(Optional accessory)
Recommended System	Off-grid: deep cycle lead acid battery, 420Ah or more

Power output(W) Output power characteristics



*Cut-in: wind speed at which the turbine begins to produce power.
 **Cut-out: wind speed at which the turbine stops to produce power.

Rolls

FLOODED DEEP CYCLE BATTERY

S-480



Series	4000	Warranty	7 Years
Volts	6	BCI	L16
Cells	3	Plates/Cell	15
Terminal Type	LT		
Included Hardware	S/S Hex Cap Screw, Nut, Lock & Flat Washer		
Size & Thread	5/16"-18 x 1-1/2"		
Cables	Optional: 19" 4/0 interconnect cable		

Charge

Charge Voltage Range	2.45-2.5 V/cell @ 25°C (77°F)
Float Voltage Range	2.25 V/cell @ 25°C (77°F)
Recommended Charge Current Capacity (String)	45 A
Maximum Charge Current (String)	75 A
Self-Discharge Rate	5%-10% per month at 25°C (77°F)

Capacity

Cold Crank Amps (CCA) 0°F / -17°C	910
Marine Crank Amps (MCA) 32°F / 0°C	1137
Reserve Capacity (RC @ 25A)	726 Minutes
Reserve Capacity (RC @ 75A)	191 Minutes

Hour Rate	Capacity / AMP Hour	Current / AMPs
@ 100 Hour Rate	499 AH	4.99 A
@ 75 Hour Rate	473 AH	6.56 A
@ 50 Hour Rate	446 AH	8.93 A
@ 20 Hour Rate	375 AH	18.75 A
@ 15 Hour Rate	353 AH	23.5 A
@ 10 Hour Rate	319 AH	31.88 A
@ 8 Hour Rate	300 AH	37.5 A
@ 5 Hour Rate	263 AH	52.5 A
@ 1 Hour Rate	135 AH	135 A

Amper hour capacity ratings based on specific gravity of 1.280.
Reduce capacities 5% for specific gravity of 1.265 and 10% for 1.250.

Specifications



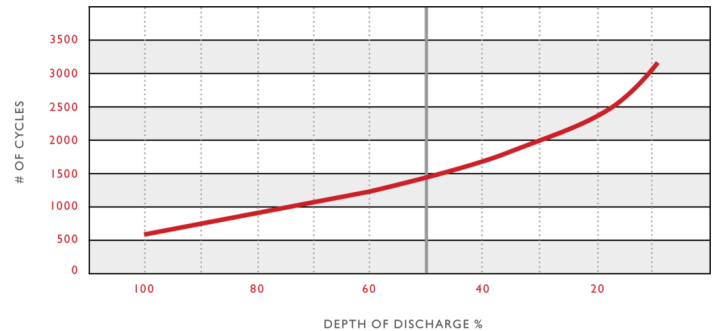
SAI GLOBAL
ISO 9001
Quality

Weight	51 kg	112.5 lbs
Length	31.8 cm	16.75"
Width	18.1 cm	7.13"
Height Inc. Term.	42.55 cm	16.75"

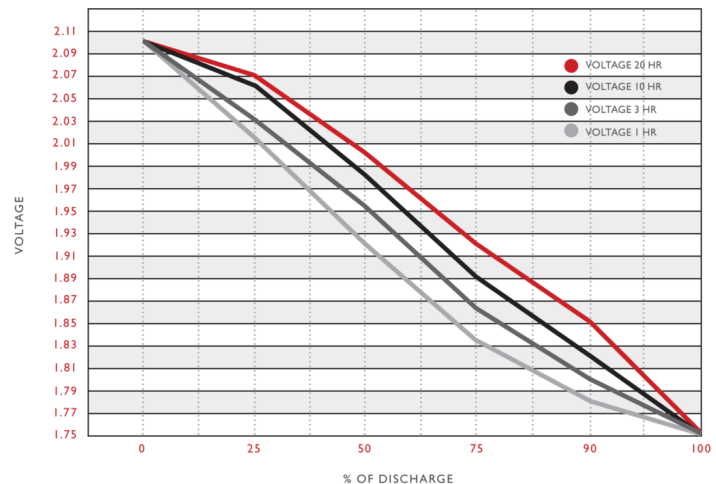
Product measurements & weights are calculated based on sample data. Individual specifications are subject to vary due to the manufacturing process, battery components & electrolyte levels.

Electrolyte Reserve	57 mm	2.25"
Container	High Density Polypropylene	
Cover	High Density Polypropylene	
Handles	Rope / Plastic Handle	

Cycle Life vs. Depth of Discharge



Voltage vs. Depth of Discharge



Rev.#3 | May 2018