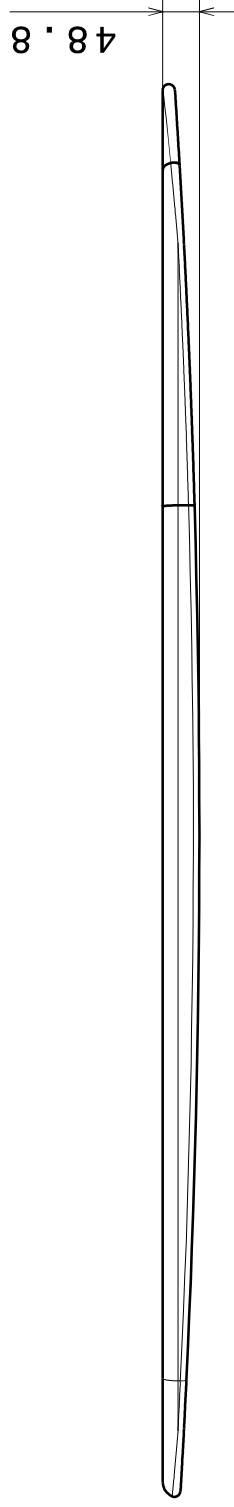
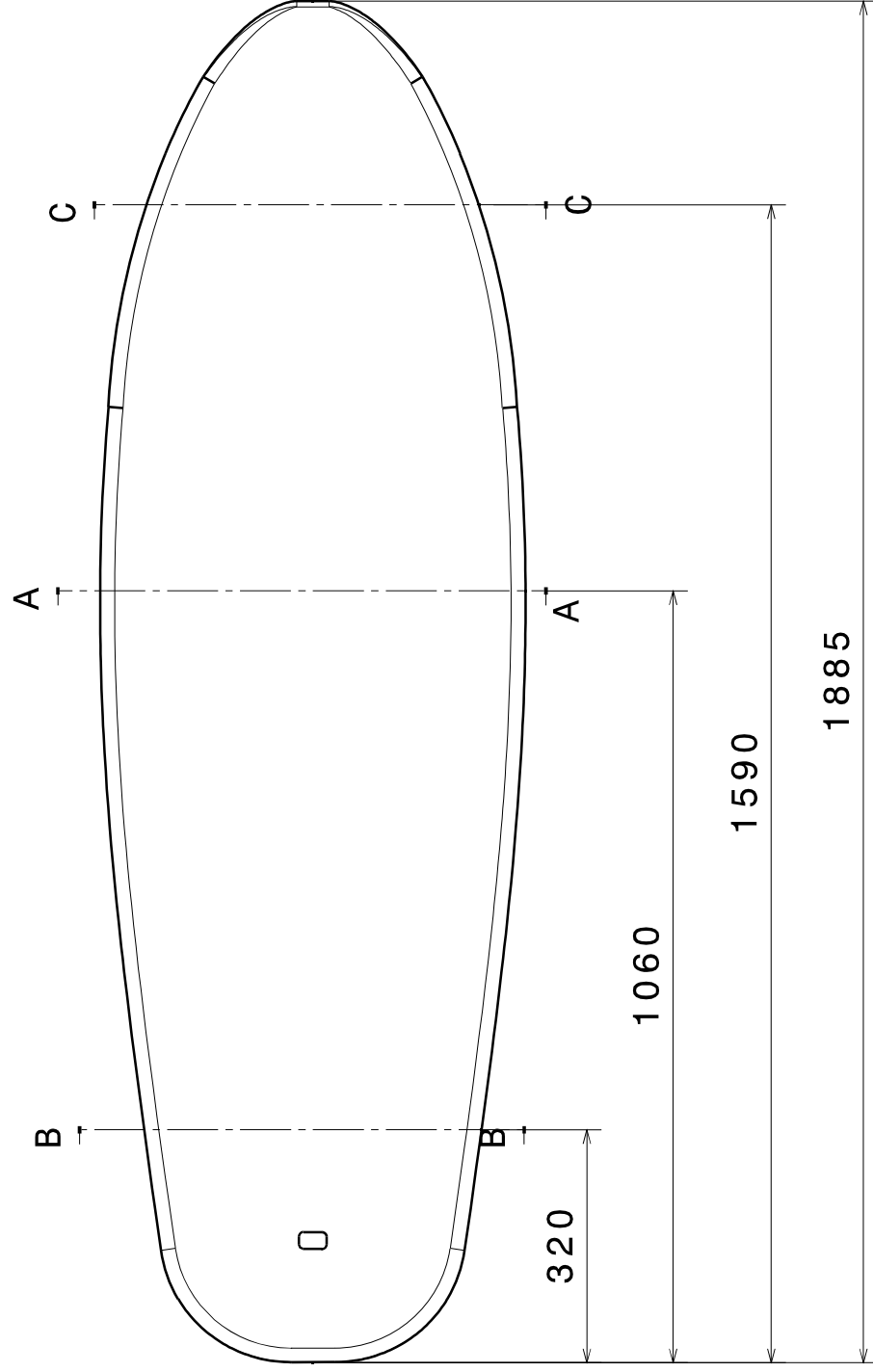


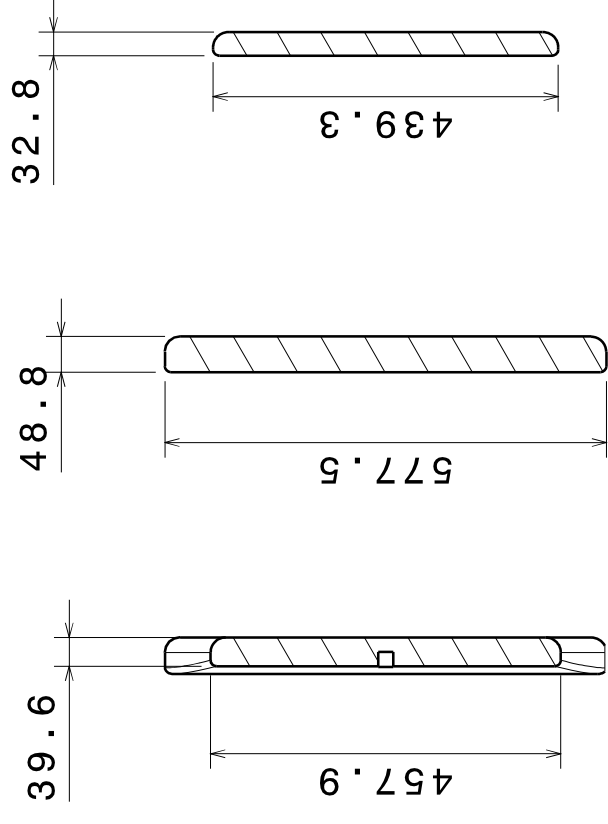
Isometric view
Scale: 1:10



Bottom view
Scale: 1:10



Front view
Scale: 1:10



B-B 1:10
A-A 1:10
C-C 1:10

DRAWN BY	DATE	PROTOTIPO MONTEFERRO	
Jose C. Ruiz	20/06/2018	SIZE	0001
CHECKED BY	DATE	Núcleo "Nido de abeja"	
Gerard Sanz	20/06/2018	A3	SCALE 1:10 WEIGHT(kg) 3 SHEET 1/1
DESIGNED BY	DATE		
Jose C. Ruiz	20/06/2018		

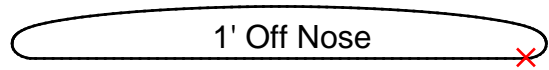
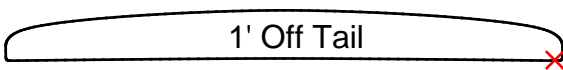
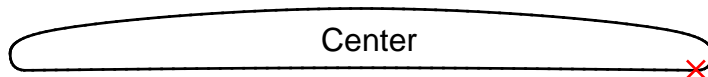
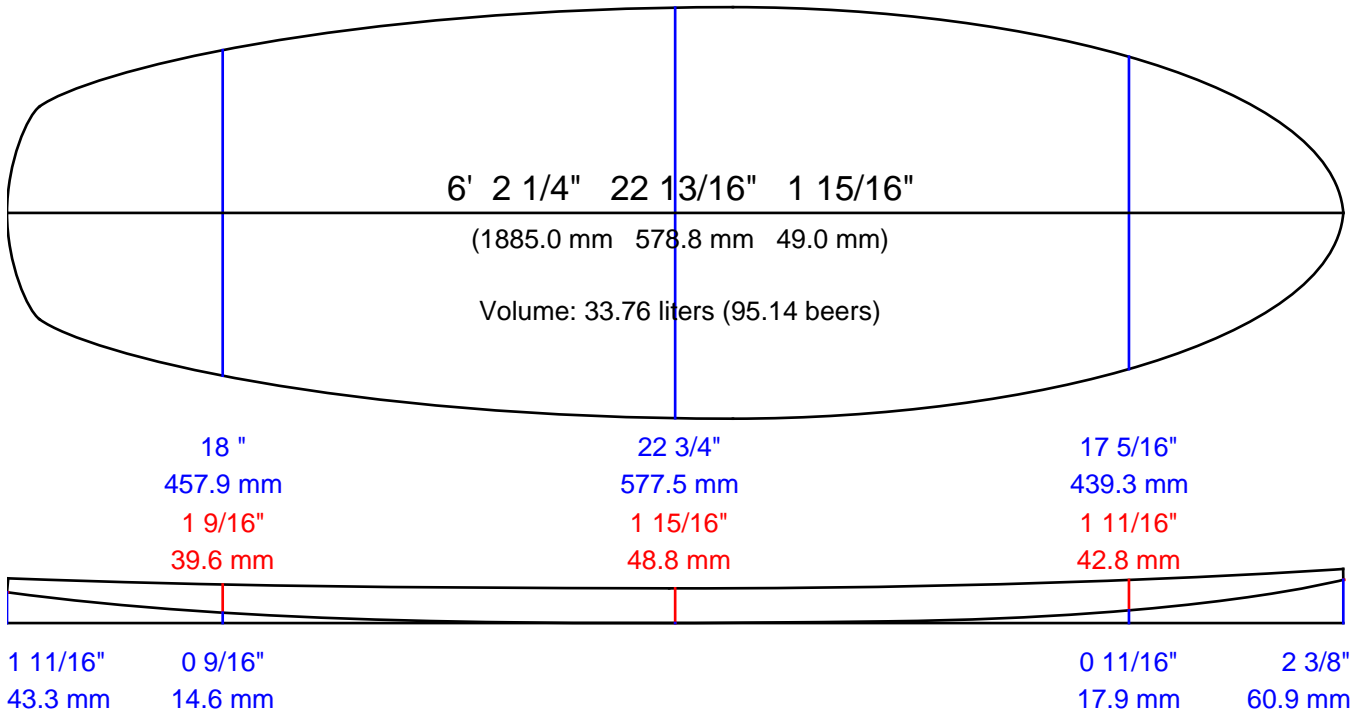


AKU SHAPER

Customer: Pete Toro
 Date: 03-may-2018
 Length: 6' 2 1/4" (1885.0)
 Width: 22 13/16" (578.8)
 Thickness: 1 15/16" (49.0)
 Tail Stop: 43 5/16" (1100.0)

File:

Designed by: Jose Carlos R..Blank:



Measurements are center, one foot in and one foot back, over curve.

Comments: