

Raport científicotécnico

Detalle de colocación de luminaria en piscina interior de una vivienda

Encamp, Andorra

Dr. Adrià Muros Alcojor

Gener 2018



**NOTA:** UNA VEZ ESTUDIADA LA ACCESIBILIDAD DE LA LUMINARIA, SE HA CONSIDERADO QUE LA UBICACION IDONEA ES QUE ESTA SE HAGA POR LA PARTE INFERIOR HACIENDO UN VACIADO PREVIO DE LA PISCINA PARA QUE EL NIVEL BAJE 20 CM.



# CoreLine Waterproof

## WT120C LED18S/840 PSU L600

Coreline Waterproof - LED Module, system flux 1800 lm - 840 neutral white - Power supply unit

Whether for a new building or renovation of an existing space, customers want lighting solutions that provide quality of light and substantial energy and maintenance savings. The new CoreLine Waterproof range of LED products can be used to replace traditional waterproof luminaires with fluorescent lamps. The process of selecting, installing and maintaining is so easy – it's a simple switch.

### Product data

General Information		Operating and Electrical	
Number of light sources	1 pc	CE mark	CE mark
Lamp family code	LED18S [ LED Module, system flux 1800 lm]	ENEC mark	ENEC mark
Light source color	840 neutral white	UL mark	-
Light source replaceable	No	Warranty period	3 years + 2 years upon registration
Number of gear units	1 unit	Constant light output	No
Driver/power unit/transformer	Power supply unit	Number of products on MCB of 16 A type B 24	
Driver included	Yes	RoHS mark	RoHS mark
Optic type	-	Product family code	WT120C [ Coreline Waterproof]
Optical cover/lens type	Polycarbonate bowl/cover		
Luminaire light beam spread	110°	Input Voltage	220 to 240 V
Emergency lighting	-	Input Frequency	50 to 60 Hz
Control interface	-	Inrush current	8 A
Connection	Push-in connector 3-pole	Inrush time	0.060 ms
Cable	-	Power Factor (Min)	0.9
Protection class IEC	Safety class I		
Glow-wire test	Temperature 850 °C, duration 30 s		
Flammability mark	For mounting on normally flammable surfaces		

# CoreLine Waterproof

## Controls and Dimming

Dimmable	No
----------	----

## Mechanical and Housing

Housing Material	Polycarbonate
Reflector material	Steel
Optic material	-
Optical cover/lens material	Polycarbonate
Fixation material	Stainless steel
Optical cover/lens finish	Textured
Overall length	661 mm
Overall width	87 mm
Overall height	96 mm

## Approval and Application

Ingress protection code	IP65 [ Dust penetration-protected, jet-proof]
Mech. impact protection code	IK08 [ 5 J vandal-protected]

## Initial Performance (IEC Compliant)

Initial luminous flux (system flux)	2000 lm
Luminous flux tolerance	+/-10%
Initial LED luminaire efficacy	111 lm/W
Init. Corr. Color Temperature	4000 K
Init. Color Rendering Index	≥80
Initial chromaticity	(0.38, 0.38) SDCM <3.5
Initial input power	18 W
Power consumption tolerance	+/-10%

## Over Time Performance (IEC Compliant)

Driver failure rate at 5000 h	1 %
Median useful life L70B50	50000 h
Median useful life L80B50	30000 h
Median useful life L90B50	15000 h

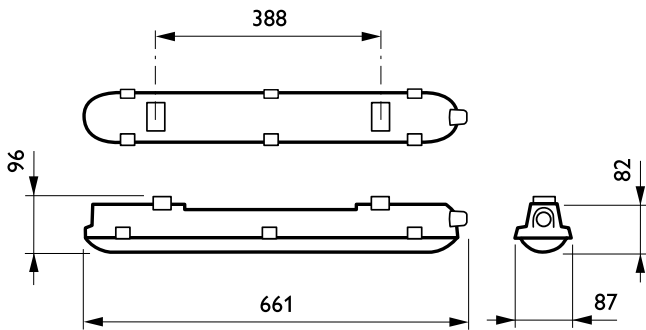
## Application Conditions

Ambient temperature range	-20 to +35 °C
Average ambient temperature	25 °C
Maximum dim level	Not applicable
Suitable for random switching	Yes (relates to presence/ movement detection and daylight harvesting)

## Product Data

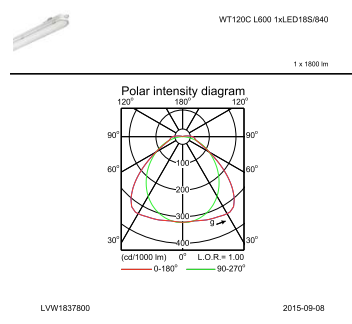
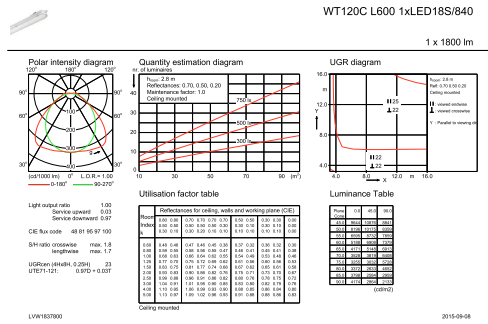
Full product code	871829184045900
Order product name	WT120C LED18S/840 PSU L600
EAN/UPC - Product	8718291840459
Order code	910500453335
Numerator - Quantity Per Pack	1
Numerator - Packs per outer box	1
Material Nr. (12NC)	910500453335
Net Weight (Piece)	0.930 kg

## Dimensional drawing



CoreLine Waterproof WT120C

## Photometric data



IFGU1\_WT120C L600 1xLED18S840.EPS

IFPC1\_WT120C L600 1xLED18S840.EPS

