

ITEM NO.	PART NUMBER	water/QTY.
1	Floating body	1
2	aluminium plate	1
3	pipe assembly	1
4	ring to tighten	1
5	end cap	1
6	mast	1
7	lifting eye	3
8	lamp	1
9	electronic box	1

UNLESS OTHERWISE SPECIFIED: DIMENSIONS ARE IN MILLIMETERS SURFACE FINISH: TOLERANCES: LINEAR: ANGULAR:				FINISH:		DEBUR AND BREAK SHARP EDGES		DO NOT SCALE DRAWING		REVISION	
	NAME	SIGNATURE	DATE					TITLE:			
DRAWN											
CHK'D											
APPV'D											
MFG											
Q.A				MATERIAL:				DWG NO.		A4	
								upper part			
				WEIGHT: 457504.86				SCALE:1:50		SHEET 1 OF 1	

123456

ITEM NO.	PART NUMBER	QTY.
1	aluminium pipe	1
2	rubber sleeve	1
3	bolt mooring	1
4	ring to tighten	1
5	endcap	1
6	mooring eye	1
7	pipe end	1
8	welded ring	1
9	battery	1
10	standaard	1

123456

ITEM NO.	PART NUMBER	QTY.
1	aluminium pipe	1
2	rubber sleeve	1
3	bolt mooring	1
4	ring to tighten	1
5	endcap	1
6	mooring eye	1
7	pipe end	1
8	welded ring	1
9	battery	1
10	standaard	1

123456

UNLESS OTHERWISE SPECIFIED:
DIMENSIONS ARE IN MILLIMETERS
SURFACE FINISH:
TOLERANCES:
LINEAR:
ANGULAR:

FINISH:

DEBUR AND BREAK SHARP EDGES

DO NOT SCALE DRAWING

REVISION

123456

	NAME	SIGNATURE	DATE			
DRAWN						
CHK'D						
APPV'D						
MFG						
Q.A						

MATERIAL:

TITLE:

123456

WEIGHT:

DWG NO.

aluminium pipe assembly11

SCALE:1:20SHEET 1 OF 1

1 2 3 4 5 6

A

B

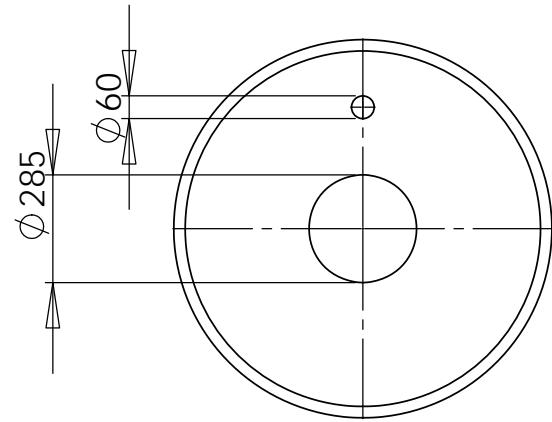
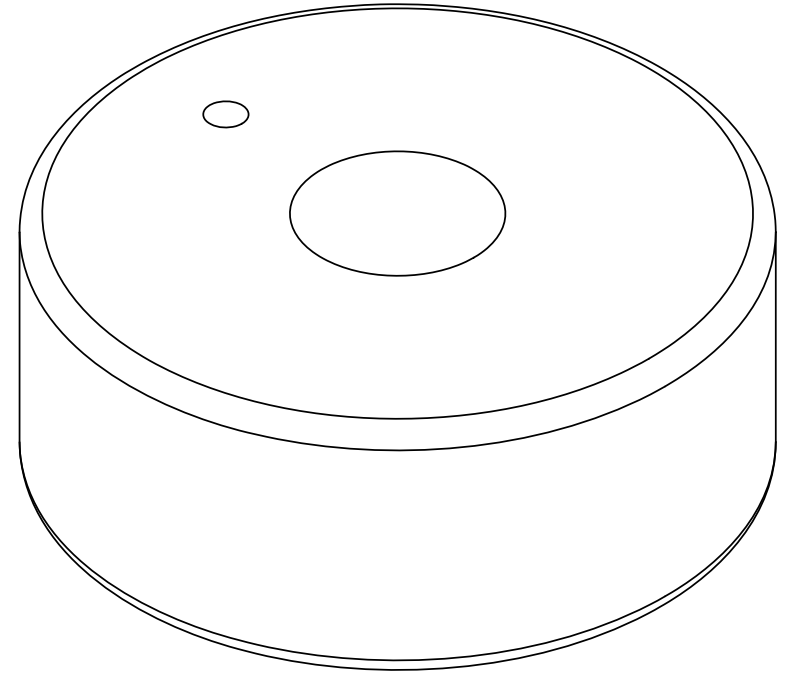
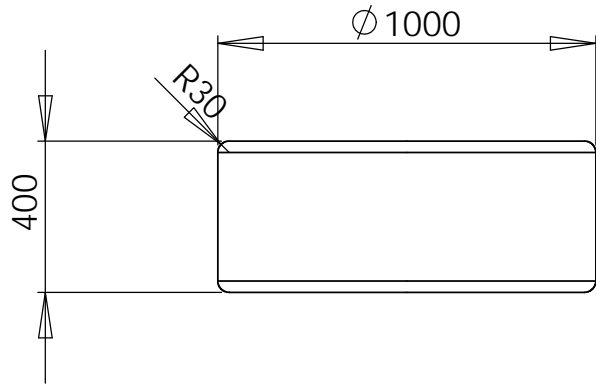
C

D

A

B

C

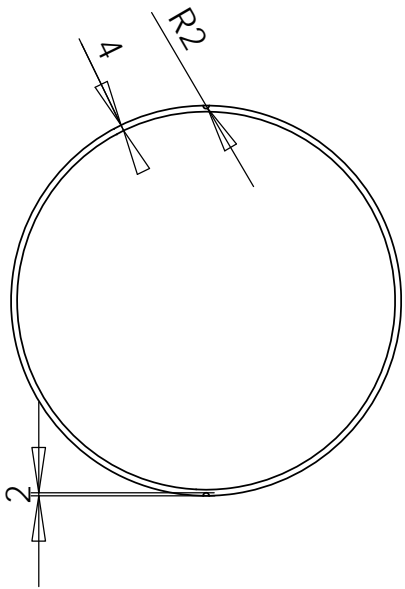


UNLESS OTHERWISE SPECIFIED: DIMENSIONS ARE IN MILLIMETERS SURFACE FINISH: TOLERANCES: LINEAR: ANGULAR:				FINISH:		DEBUR AND BREAK SHARP EDGES		DO NOT SCALE DRAWING		REVISION	
	NAME	SIGNATURE	DATE					TITLE:			
DRAWN											
CHK'D											
APPV'D											
MFG											
Q.A								MATERIAL:		DWG NO.	
								WEIGHT: 50 kilograms		SCALE:1:20	
										SHEET 1 OF 1	
										A4	

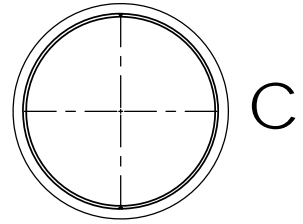
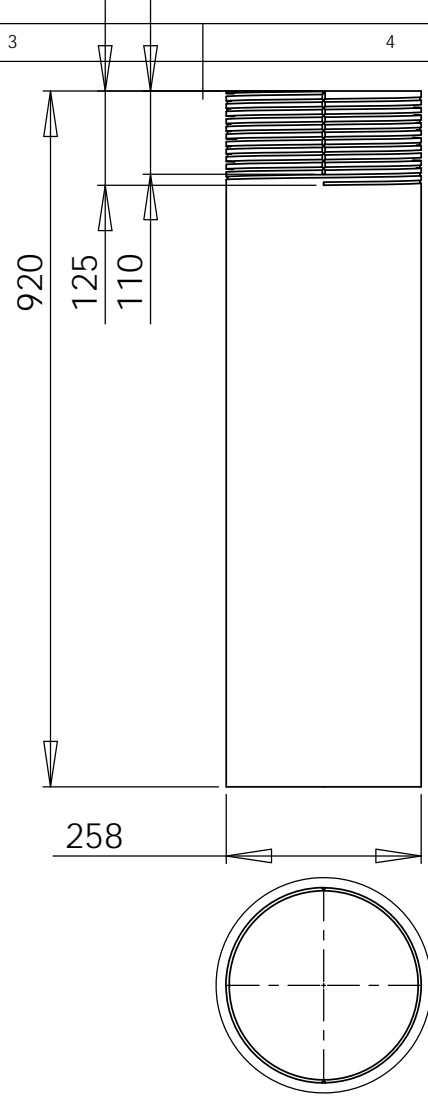
Floating body

A4

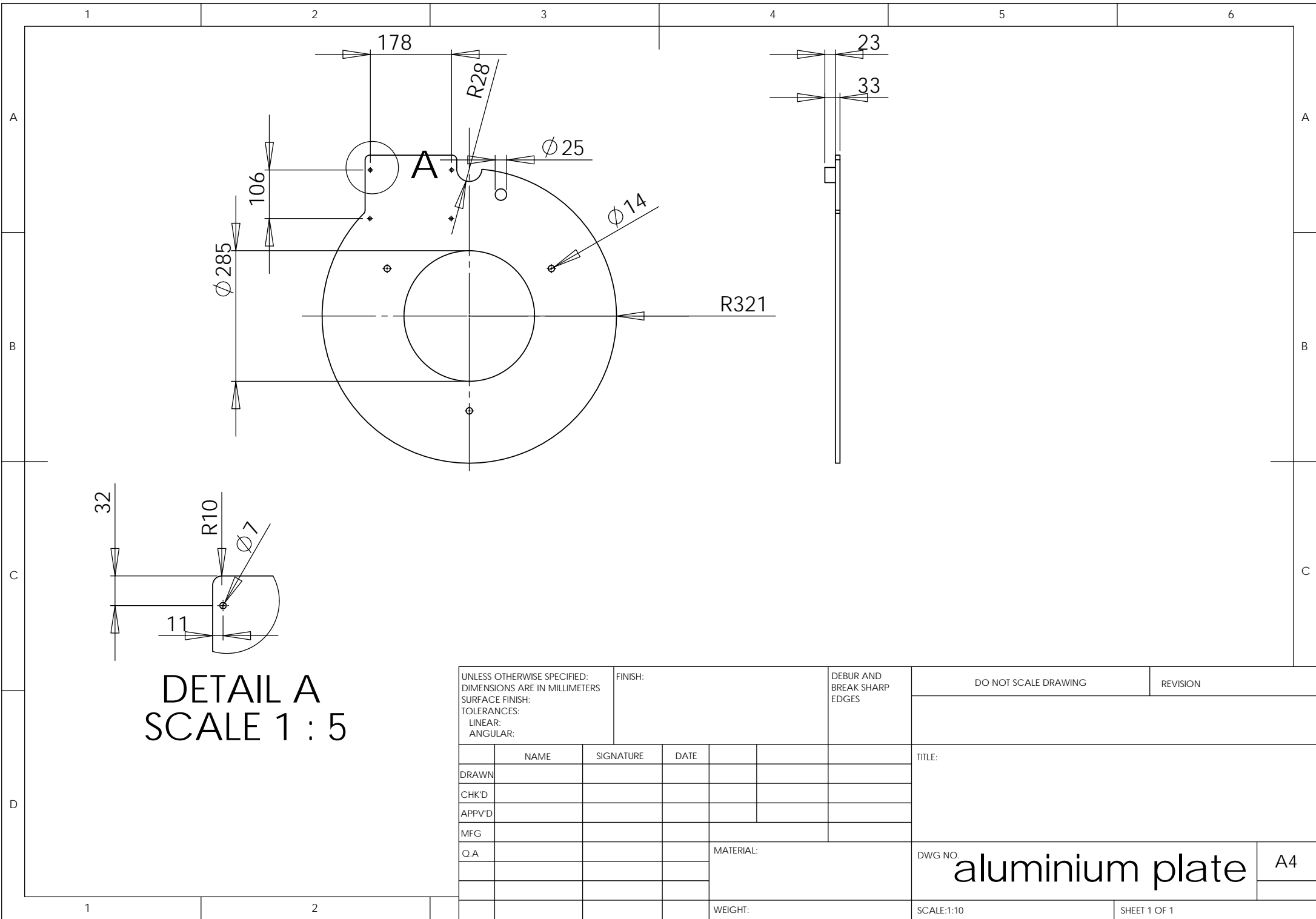
1 2 3 4 5 6



DETAIL C
SCALE 1 : 5

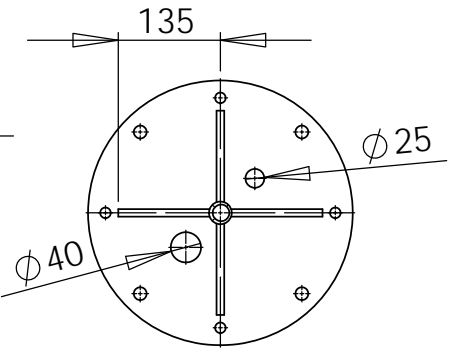
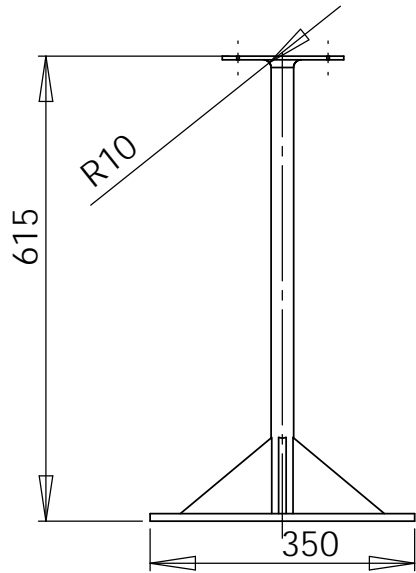


UNLESS OTHERWISE SPECIFIED: DIMENSIONS ARE IN MILLIMETERS SURFACE FINISH: TOLERANCES: LINEAR: ANGULAR:			FINISH:			DEBUR AND BREAK SHARP EDGES		DO NOT SCALE DRAWING		REVISION	
DRAWN			SIGNATURE			DATE			TITLE:		
CHK'D											
APPV'D											
MFG											
Q.A						MATERIAL: aluminium			DWG NO. aluminium pipe		A4
						WEIGHT:			SCALE:1:20		SHEET 1 OF 1

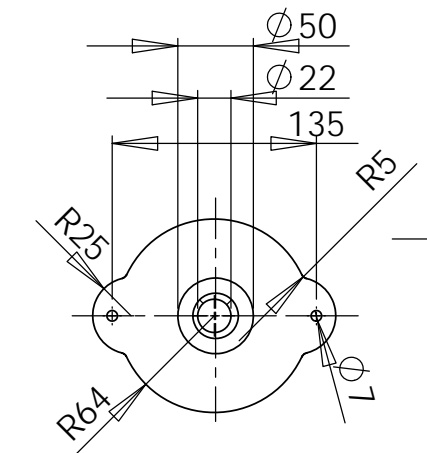
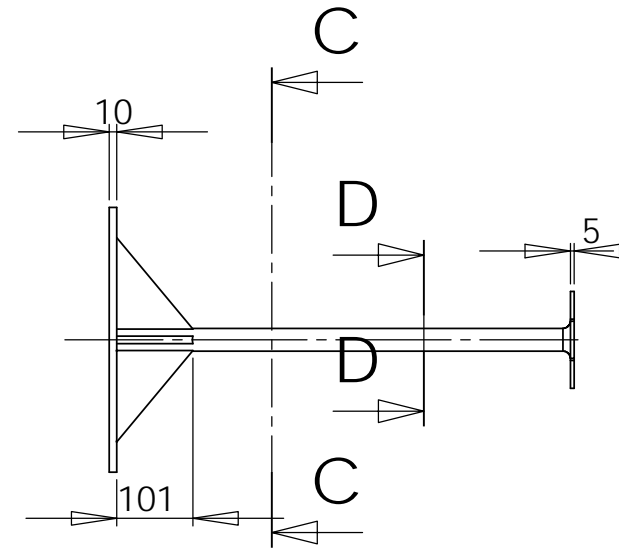
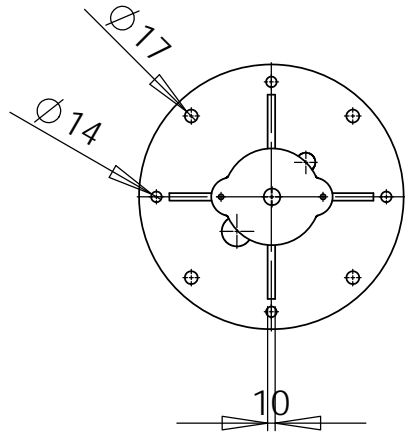


DETAIL A
SCALE 1 : 5

UNLESS OTHERWISE SPECIFIED: DIMENSIONS ARE IN MILLIMETERS SURFACE FINISH: TOLERANCES: LINEAR: ANGULAR:				FINISH:		DEBUR AND BREAK SHARP EDGES		DO NOT SCALE DRAWING		REVISION	
	NAME	SIGNATURE	DATE			TITLE:					
DRAWN											
CHK'D											
APPV'D											
MFG											
Q.A					MATERIAL:	DWG NO.				A4	
						aluminium plate					
					WEIGHT:	SCALE:1:10				SHEET 1 OF 1	



SECTION C-C



SECTION D-D
SCALE 1 : 5

UNLESS OTHERWISE SPECIFIED:
DIMENSIONS ARE IN MILLIMETERS
SURFACE FINISH:
TOLERANCES:
LINEAR:
ANGULAR:

FINISH:

DEBUR AND
BREAK SHARP
EDGES

DO NOT SCALE DRAWING

REVISION

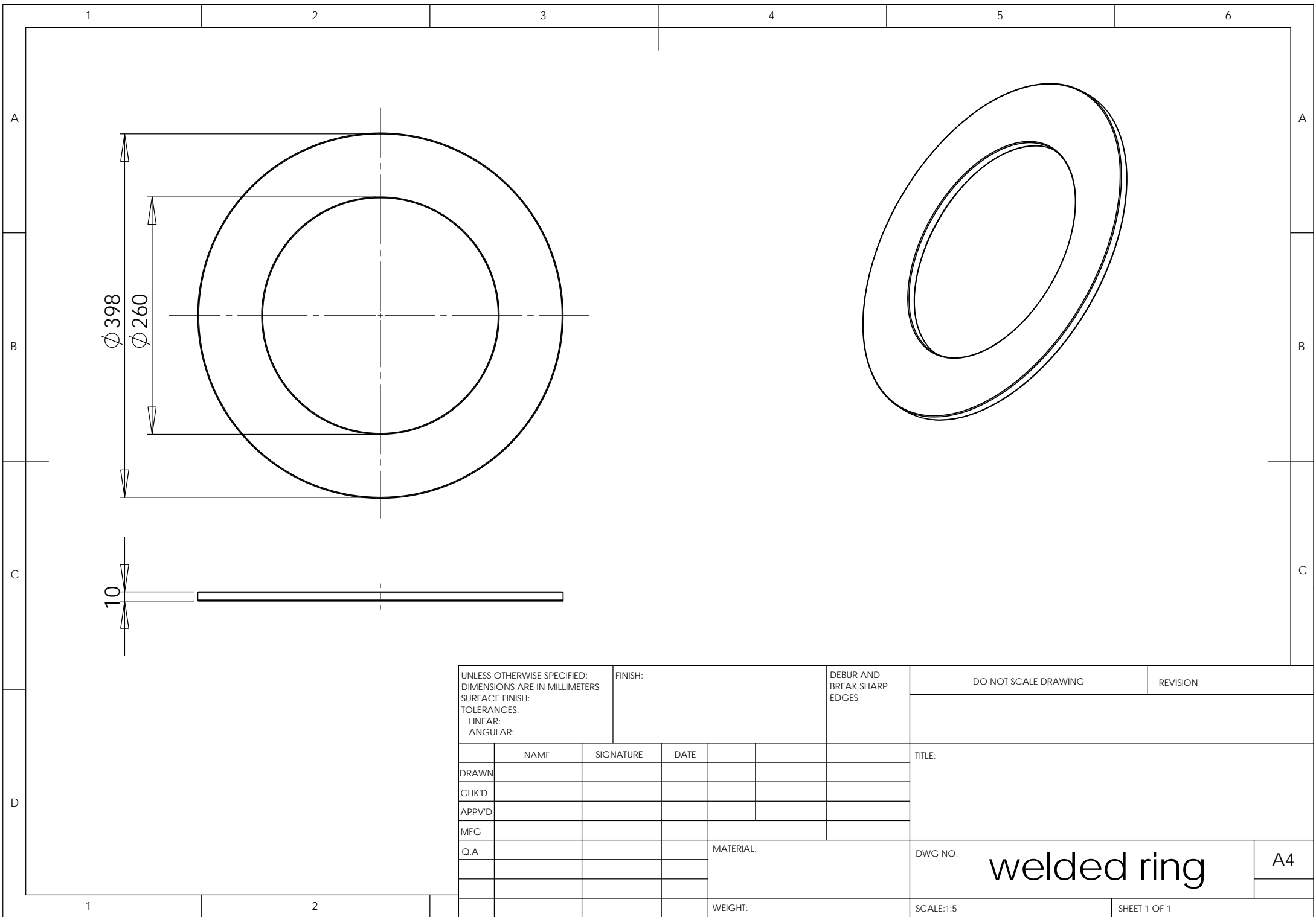
	NAME	SIGNATURE	DATE		
DRAWN					
CHK'D					
APPV'D					
MFG					
Q.A					

TITLE:		
DWG NO.	mast	A4

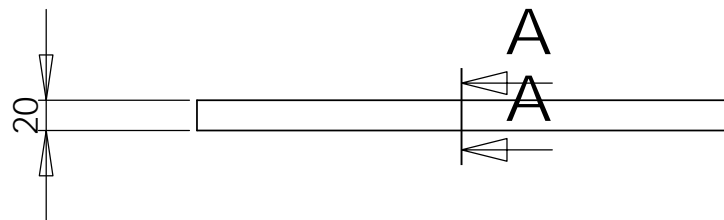
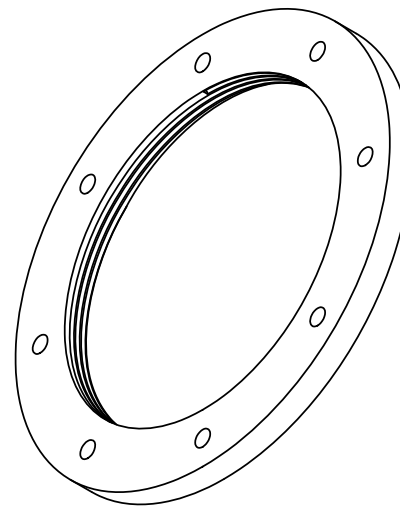
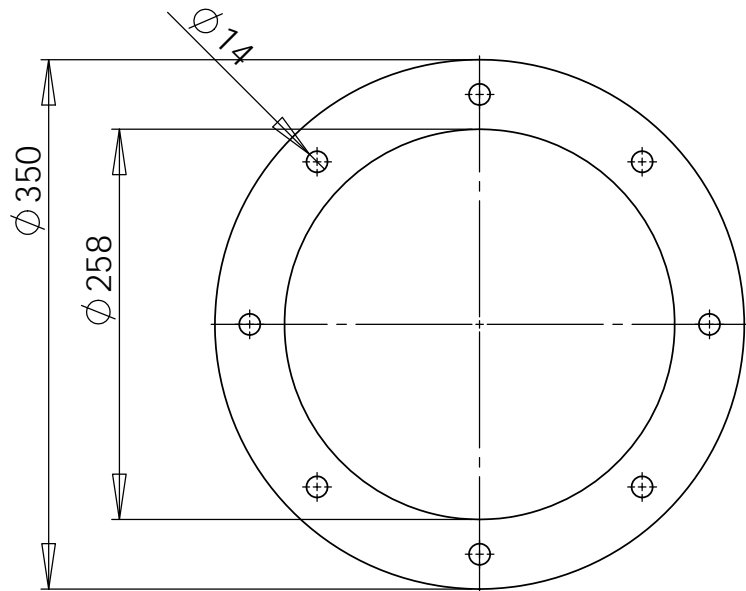
WEIGHT:

SCALE:1:10

SHEET 1 OF 1



UNLESS OTHERWISE SPECIFIED: DIMENSIONS ARE IN MILLIMETERS SURFACE FINISH: TOLERANCES: LINEAR: ANGULAR:				FINISH:		DEBUR AND BREAK SHARP EDGES		DO NOT SCALE DRAWING		REVISION	
	NAME	SIGNATURE	DATE					TITLE:			
DRAWN											
CHK'D											
APPV'D											
MFG											
Q.A				MATERIAL:			DWG NO.		welded ring		A4
				WEIGHT:			SCALE:1:5		SHEET 1 OF 1		



SECTION A-A

UNLESS OTHERWISE SPECIFIED: DIMENSIONS ARE IN MILLIMETERS SURFACE FINISH: TOLERANCES: LINEAR: ANGULAR:				FINISH:		DEBUR AND BREAK SHARP EDGES		DO NOT SCALE DRAWING		REVISION	
								TITLE:			
DRAWN				SIGNATURE		DATE					
CHK'D											
APPV'D											
MFG											
Q.A						MATERIAL:		DWG NO.			
								ring			
								A4			
						WEIGHT:		SCALE:1:5		SHEET 1 OF 1	

1 2 3 4 5 6

A

A

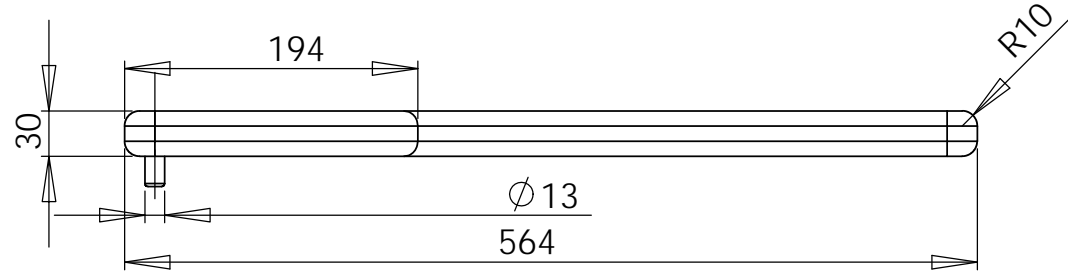
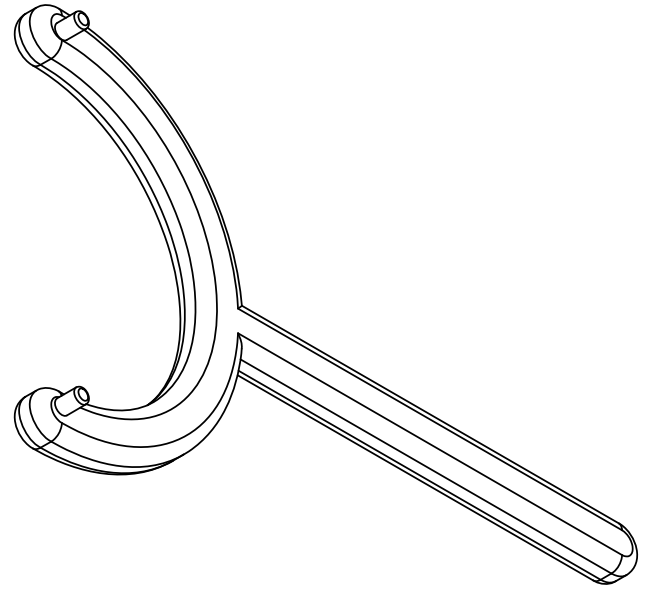
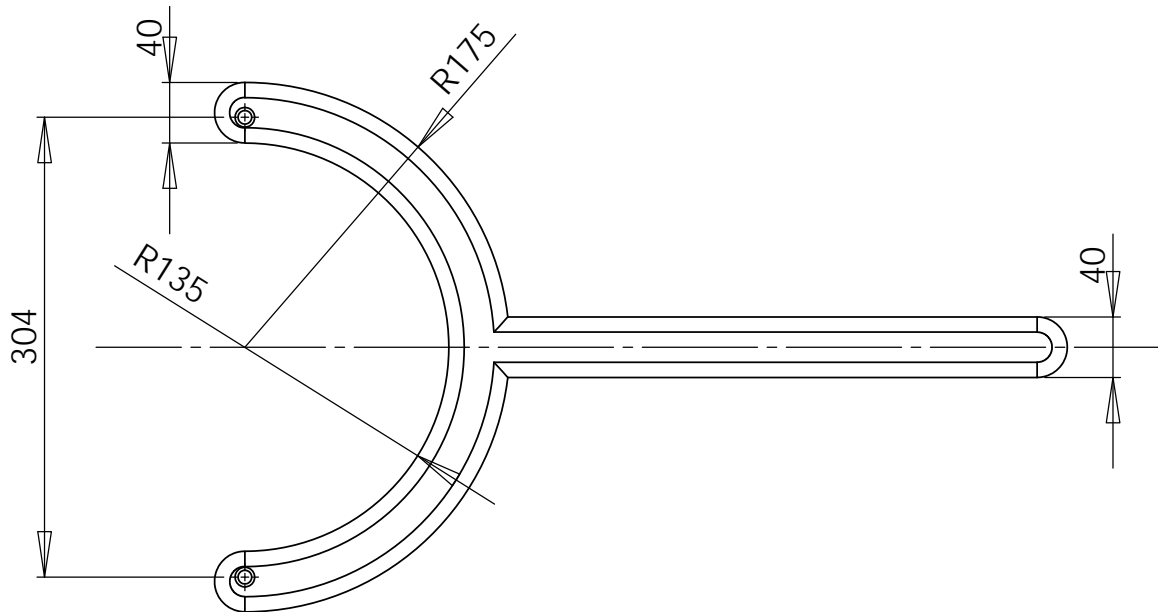
B

B

C

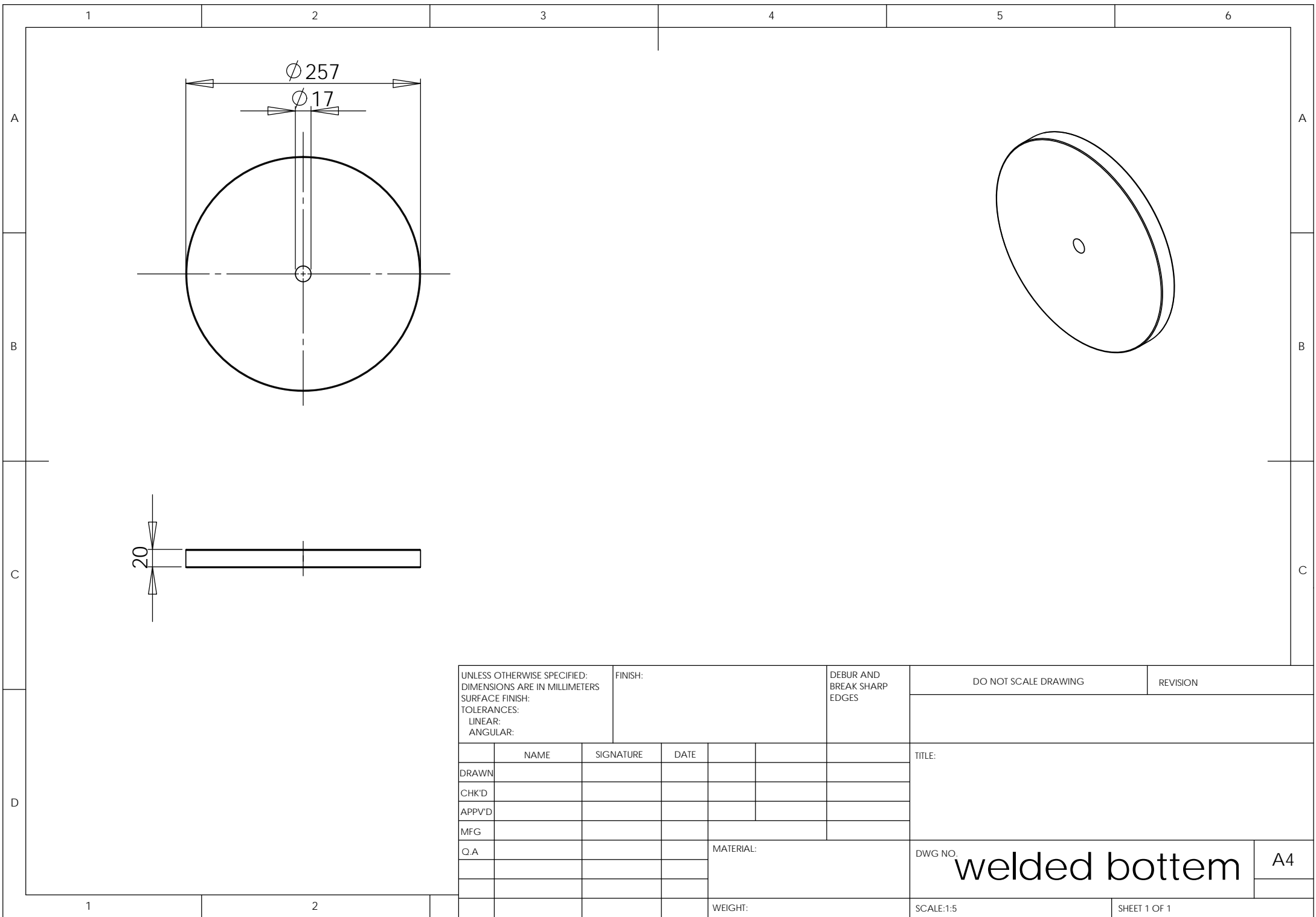
C

D

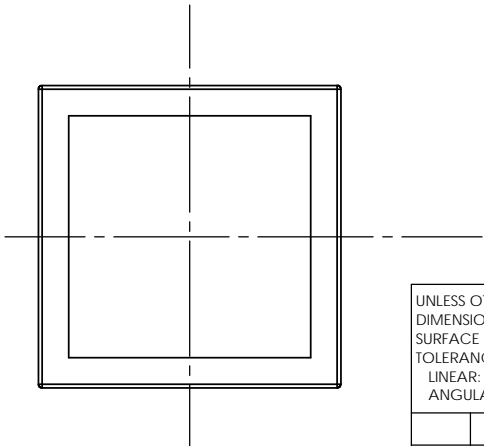
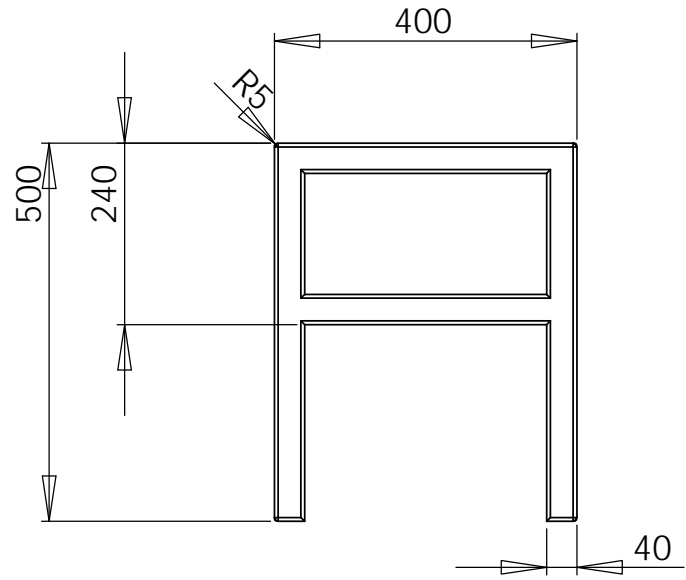
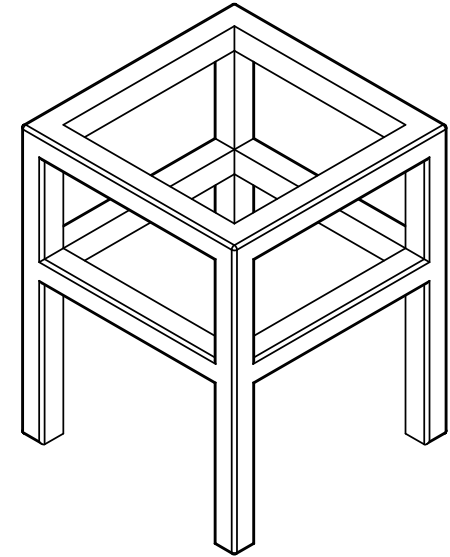


UNLESS OTHERWISE SPECIFIED: DIMENSIONS ARE IN MILLIMETERS SURFACE FINISH: TOLERANCES: LINEAR: ANGULAR:				FINISH:		DEBUR AND BREAK SHARP EDGES		DO NOT SCALE DRAWING		REVISION	
								TITLE:			
DRAWN				SIGNATURE		DATE					
CHK'D											
APPV'D											
MFG											
Q.A						MATERIAL: Steel		DWG NO.		ring tool	
								SCALE:1:10		SHEET 1 OF 1	
										A4	

1 2 3 4 5 6



UNLESS OTHERWISE SPECIFIED: DIMENSIONS ARE IN MILLIMETERS SURFACE FINISH: TOLERANCES: LINEAR: ANGULAR:				FINISH:		DEBUR AND BREAK SHARP EDGES		DO NOT SCALE DRAWING		REVISION	
	NAME	SIGNATURE	DATE					TITLE:			
DRAWN											
CHK'D											
APPV'D											
MFG											
Q.A				MATERIAL:			DWG NO.		welded bottem		A4
				WEIGHT:			SCALE:1:5		SHEET 1 OF 1		



UNLESS OTHERWISE SPECIFIED: DIMENSIONS ARE IN MILLIMETERS SURFACE FINISH: TOLERANCES: LINEAR: ANGULAR:				FINISH:		DEBUR AND BREAK SHARP EDGES		DO NOT SCALE DRAWING		REVISION	
	NAME	SIGNATURE	DATE					TITLE:			
DRAWN											
CHK'D											
APPV'D											
MFG											
Q.A								MATERIAL: Wood		DWG NO. pipe holder	
								WEIGHT:		SCALE:1:10	
										SHEET 1 OF 1	

A4