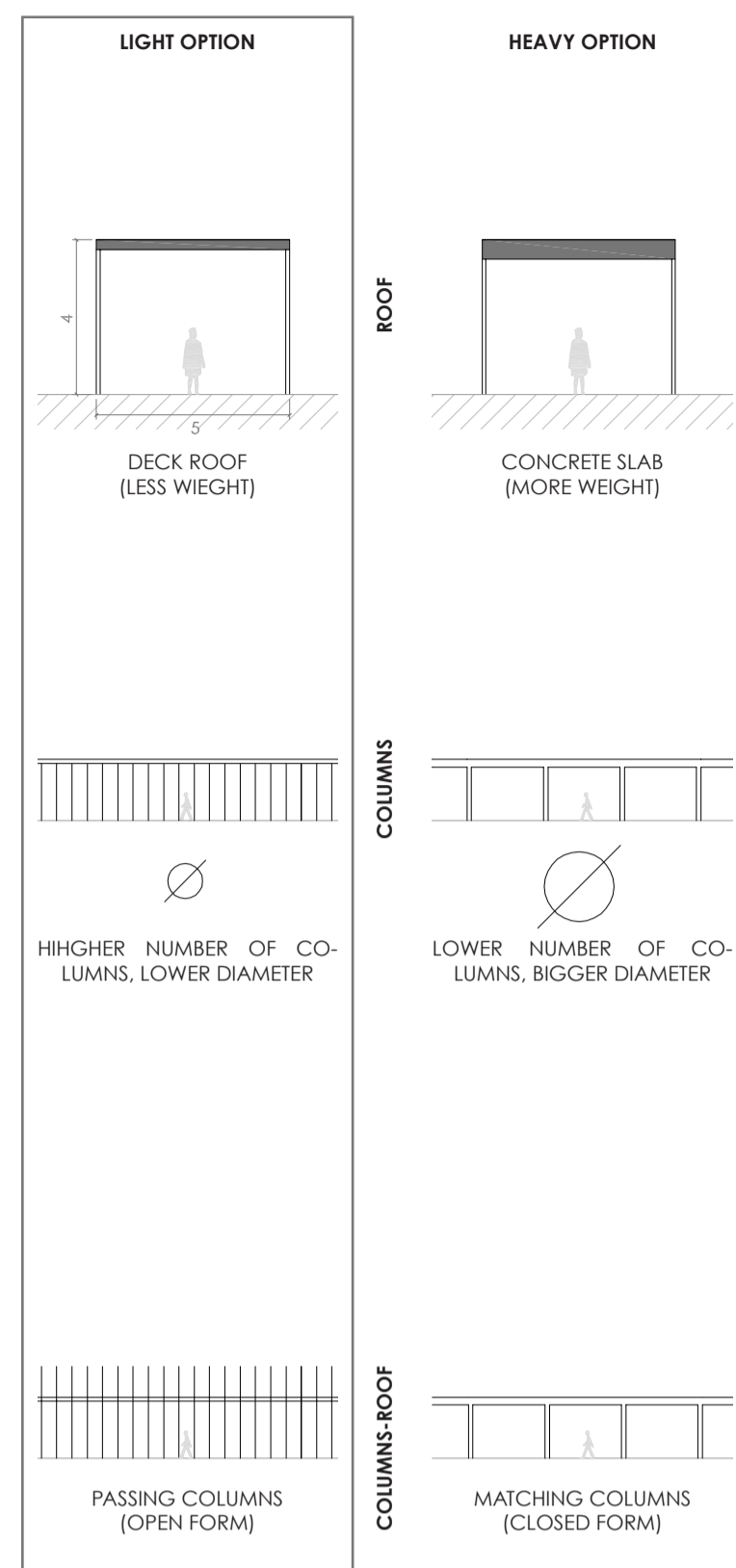
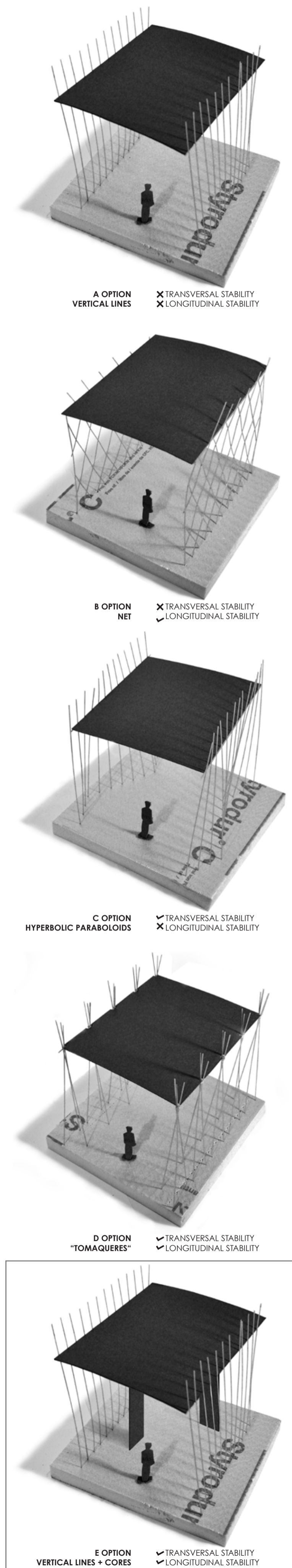


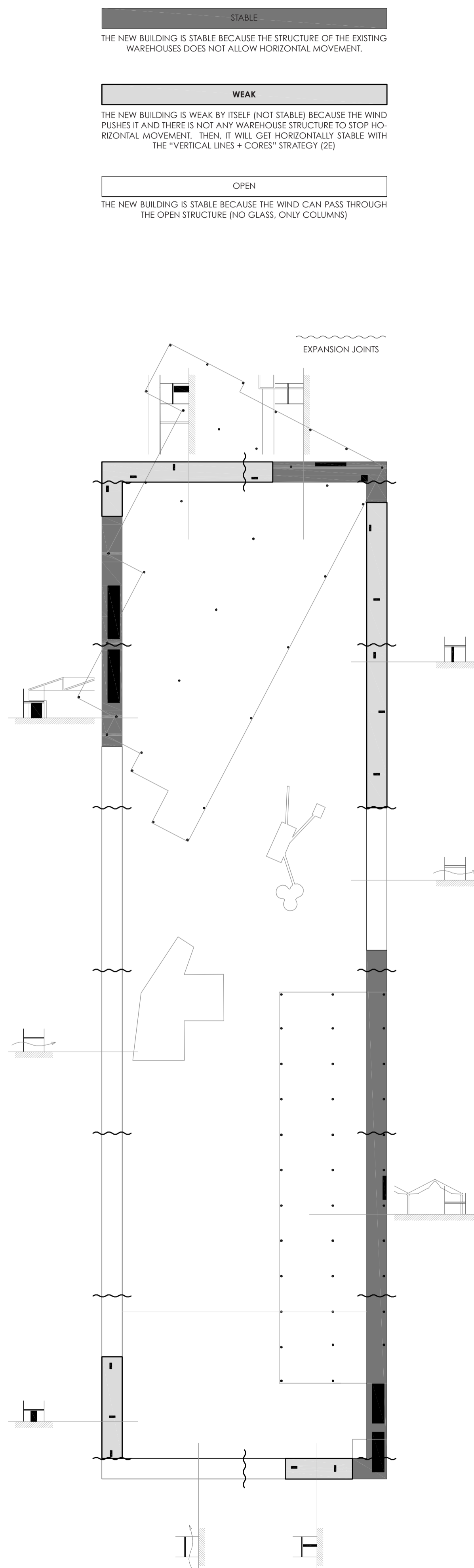
1 DISTRIBUTION OF MASS



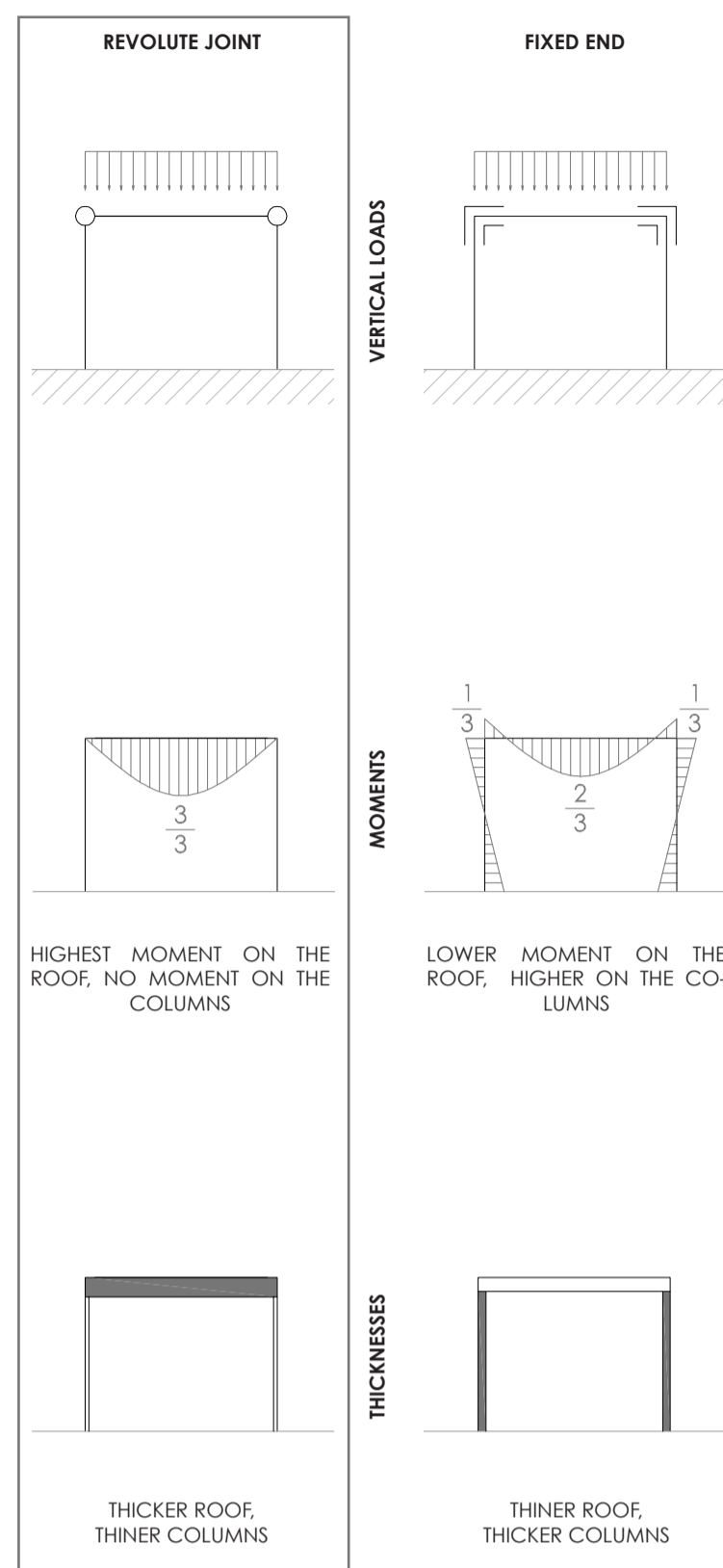
2 HORIZONTAL STABILITY GEOMETRY



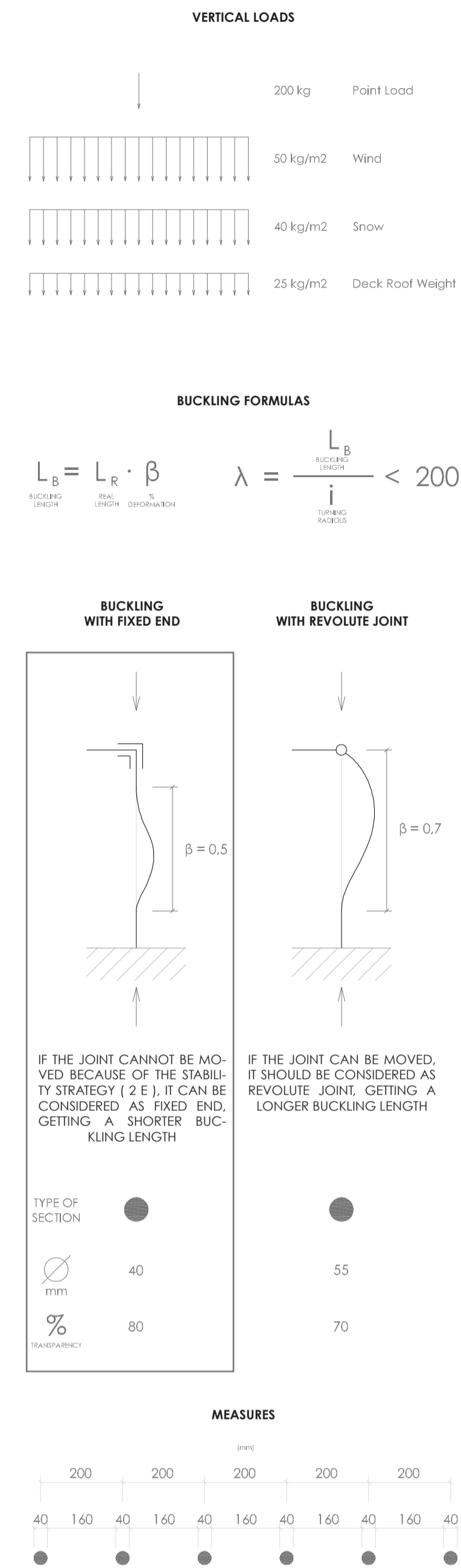
3 PARTS OF THE BUILDING



4 TYPE OF JOINTS

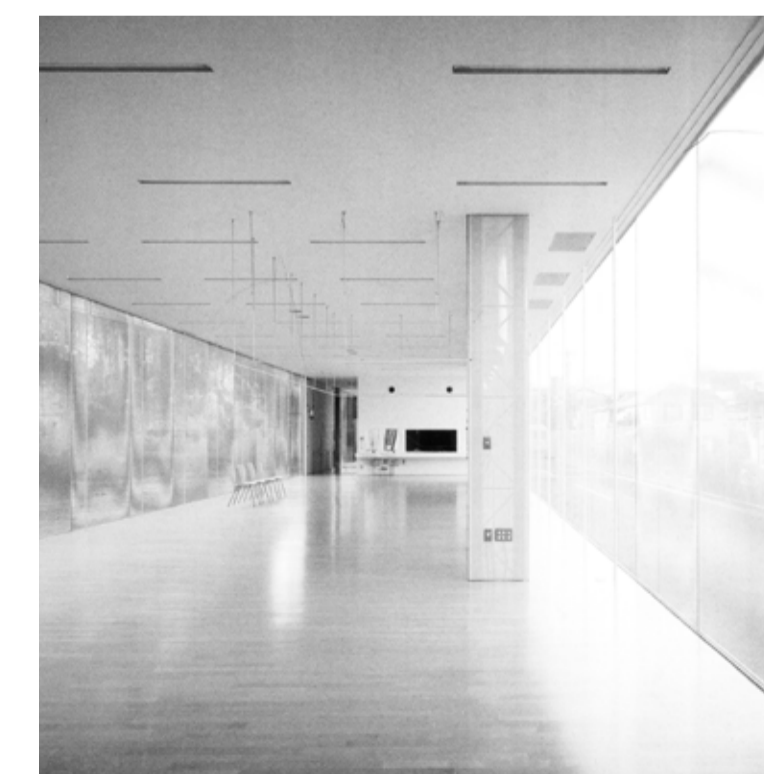


5 BUCKLING CALCULATION



NON HIERARCHY STRUCTURE

We selected very a very small, thin column and very thick partitions. We wanted to study the idea of reducing the usual hierarchy between structure and partition. So we tried to make structure disappear and partitions very thick and heavy.



\*TEXT SOURCE: By Kazuyo Sejima from the interview "A Conversation", SANAA Croquis 99, 2000

\*IMAGE SOURCE: "Day care center for the elders" by SANAA, 2000