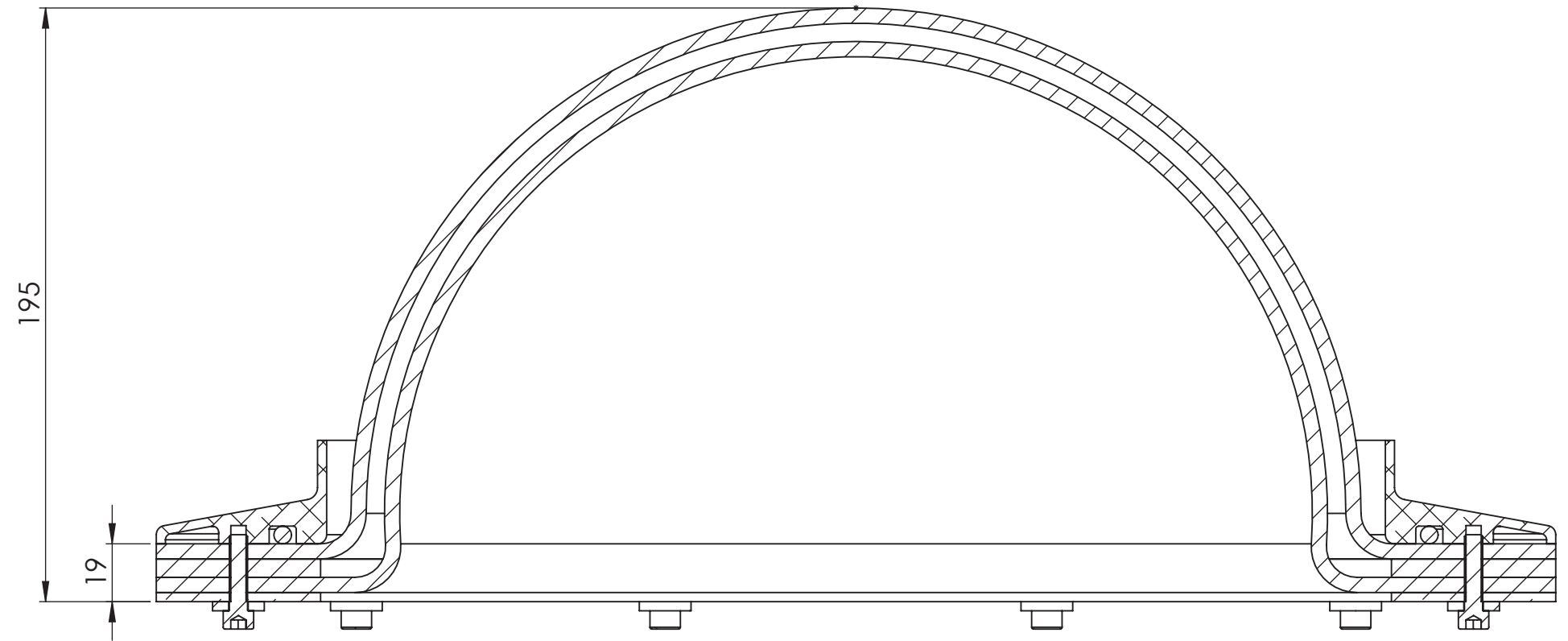
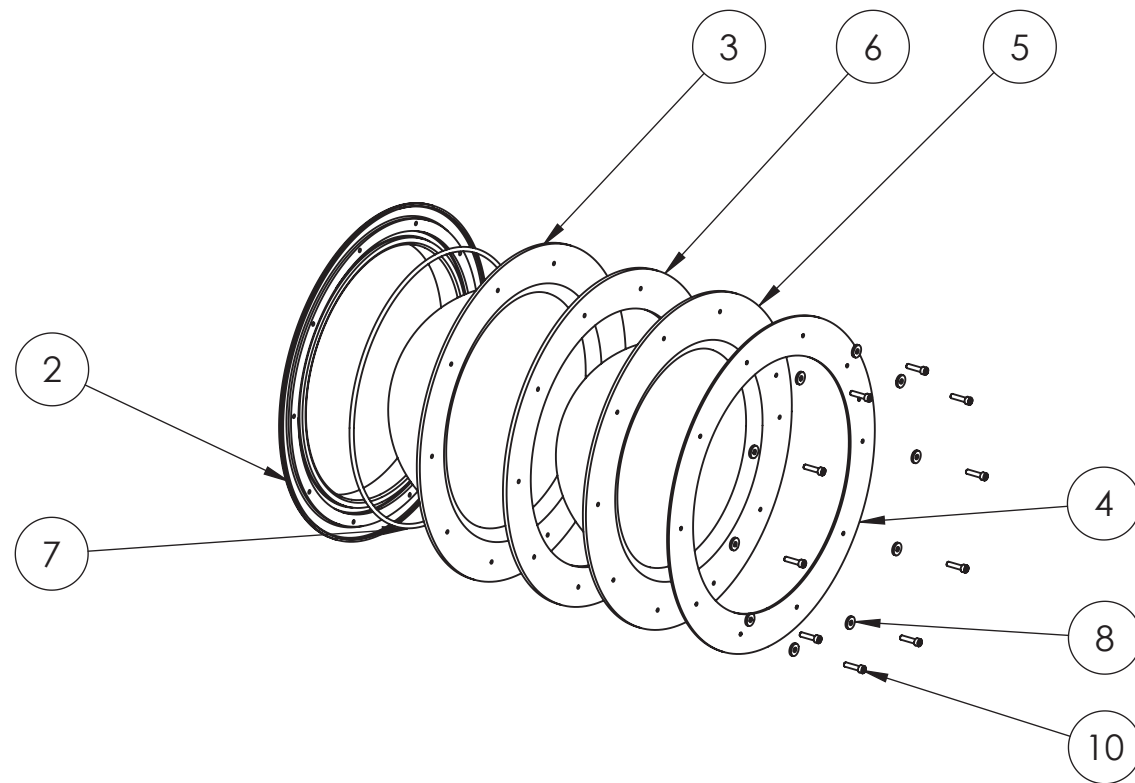


SCALE 1:10



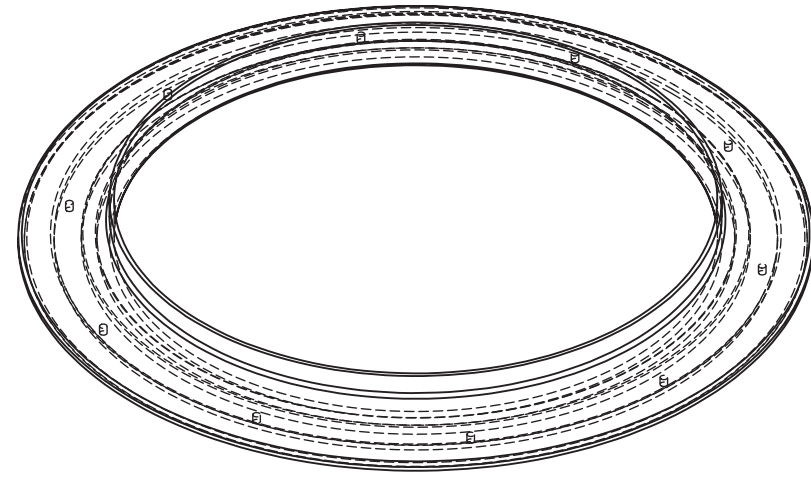
SECTION VIEW
SCALE 1 : 2



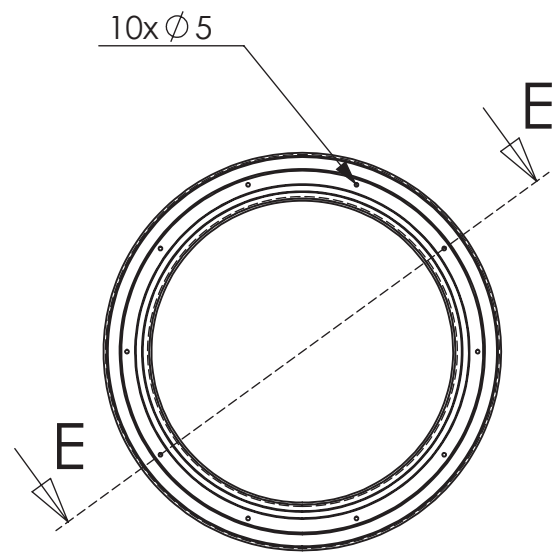
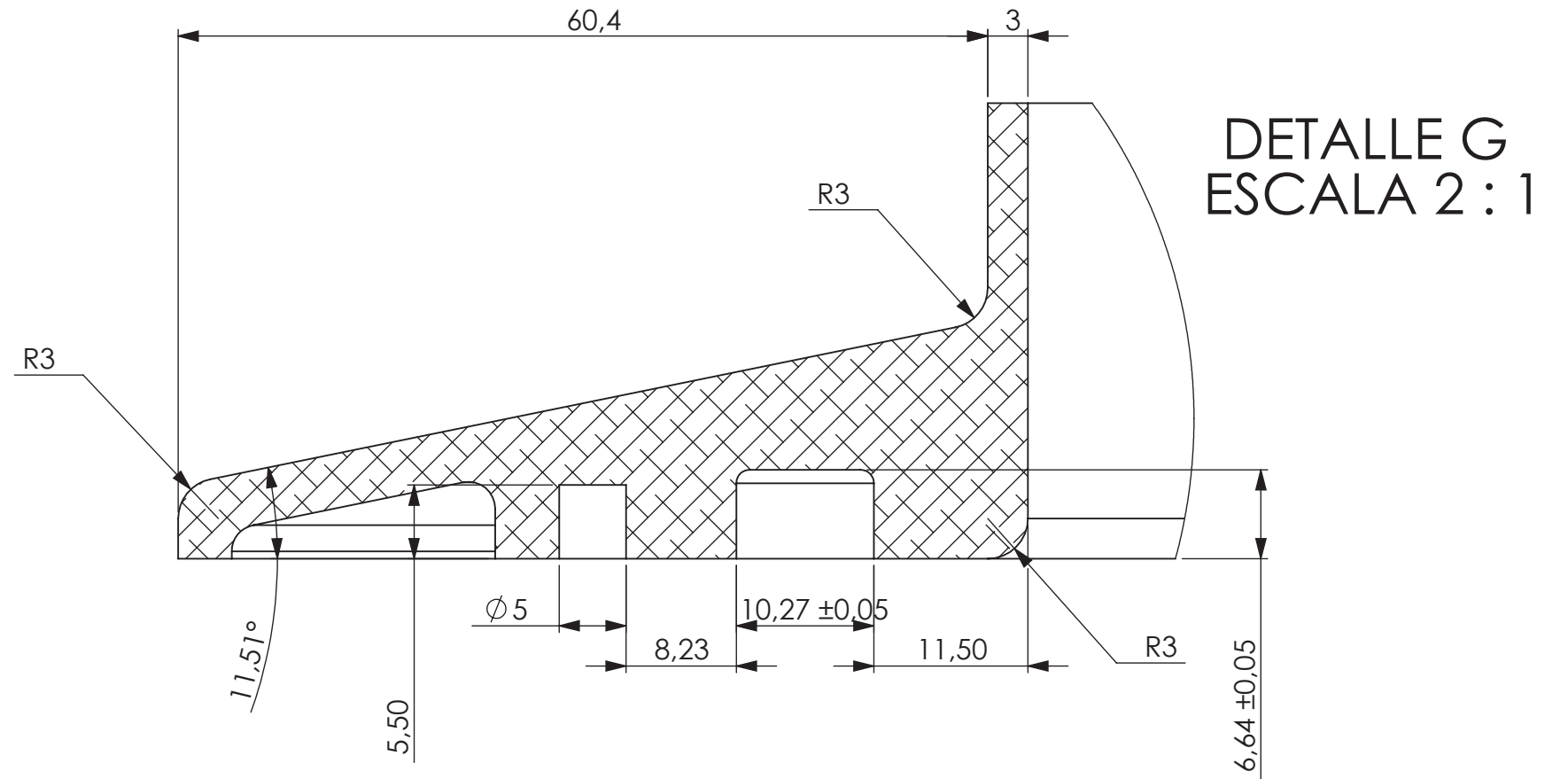
ITEM NO.	PART NUMBER	DESCRIPTION	EXPL/QTY.
2	0002-P-0004	MAIN FRAME	1
3	0002-P-0020	POLYCARBONATE WINDOW	1
4	0002-P-0006	PROTECTION FRAME	1
5	0002-P-0007	INNER POLYCARBONATE WINDOW	1
6	0002-P-0021	SPACER FRAME	1
7	0002-P-0024	JOINT	1
8	DIN 6340-6.4	-	10
10	ISO 4762 M6 x 25 --- 24N	-	10

	Date	Name	Signature	Material	-	Observations
Drawn	06.06.2014	David Jiménez		Placement	Capsule	
Check				Quantity	3	
Scale	Sheet	Denomination		Code		
1:2	A3	Little window		0002-P-0002	UNIVERSITAT POLITÈCNICA DE CATALUNYA BARCELONATECH Escola Tècnica Superior d'Enginyeries Industrial i Aeronàutica de Terrassa	

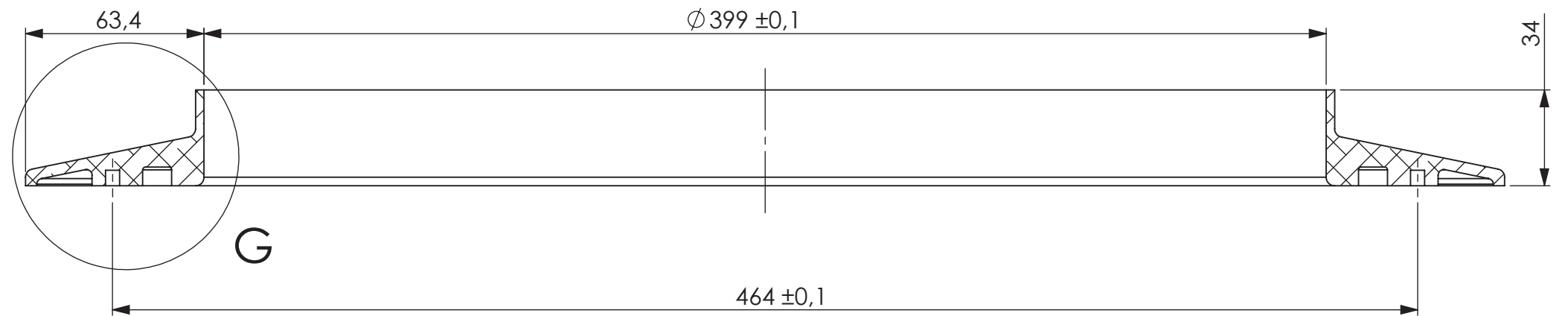
WARNING:
THE INFORMATION CONTAINED IN THIS
DRAWING IS THE SOLE PROPERTY OF
UNIVERSITAT POLITÈCNICA DE CATALUNYA SL.
ANY REPRODUCTION IN PART OR AS A
WHOLE WITHOUT THE WRITTEN
PERMISSION OF UNIVERSITAT POLITÈCNICA DE CATALUNYA SL
IS PROHIBITED.



SCALE 1:5



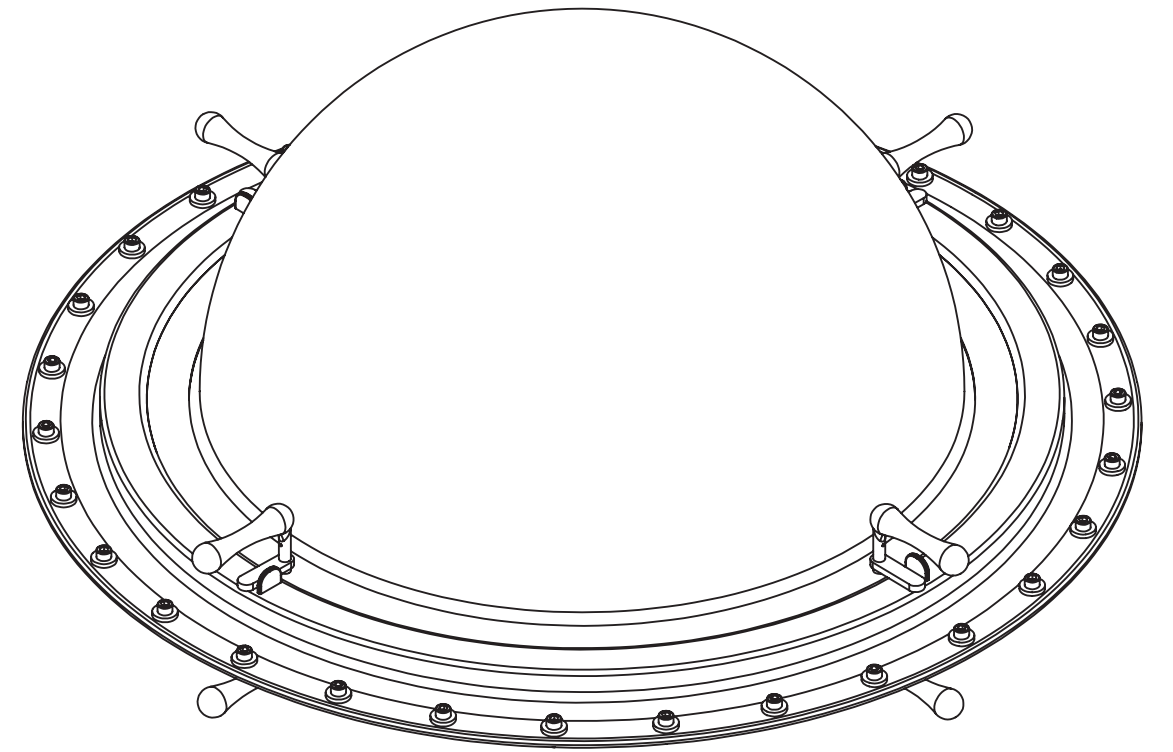
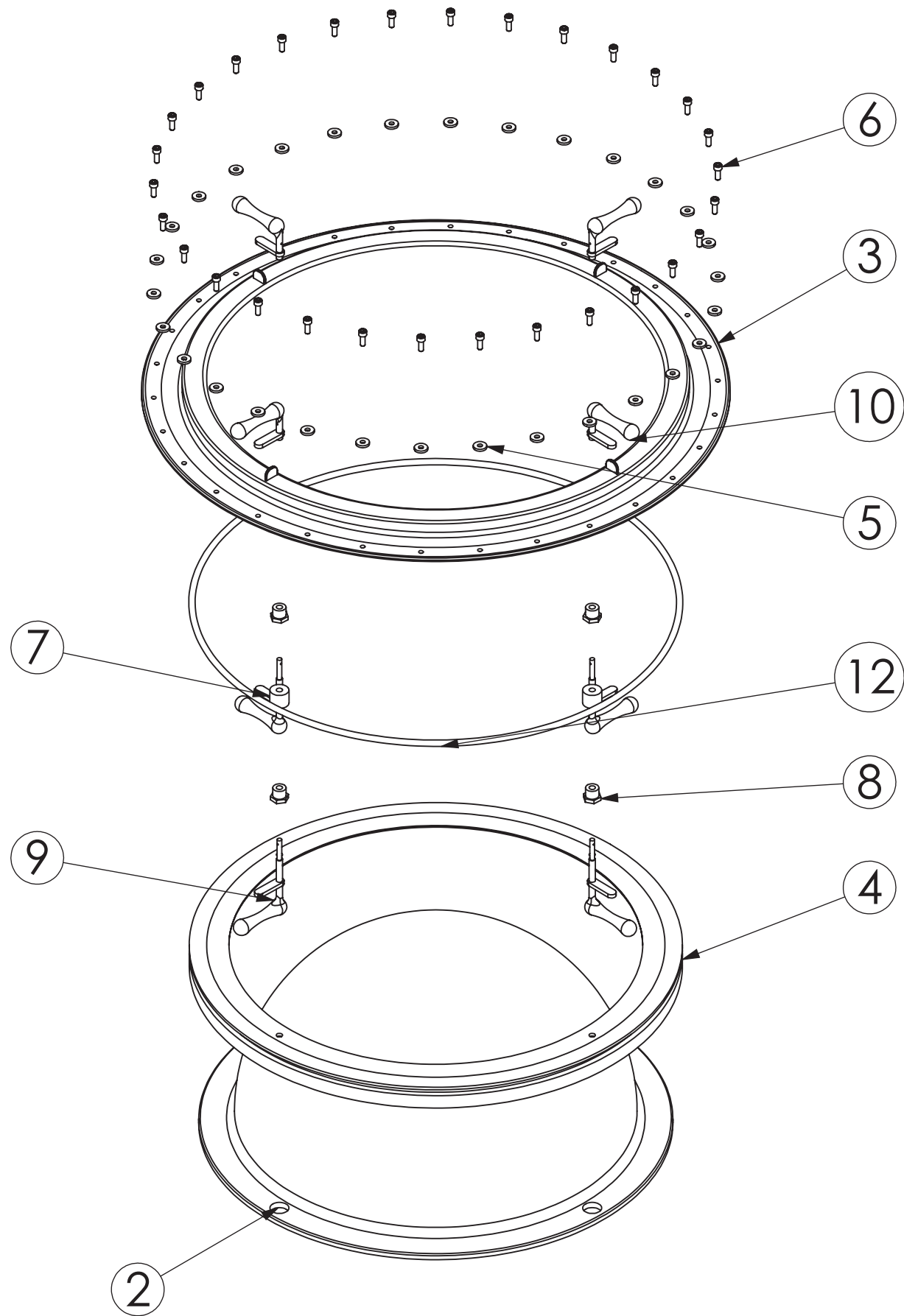
SCALE 1:10



SECCIÓN E-E
ESCALA 1:2

	Date	Name	Signature	Material	Aluminum 6082 T6	Observations
Drawn	06.06.2014	David Jiménez		Placement	Average window	
Check				Quantity	1	
Scale	Sheet	Denomination		Code		
1:2	A3	Internal frame		0002-P-0038		

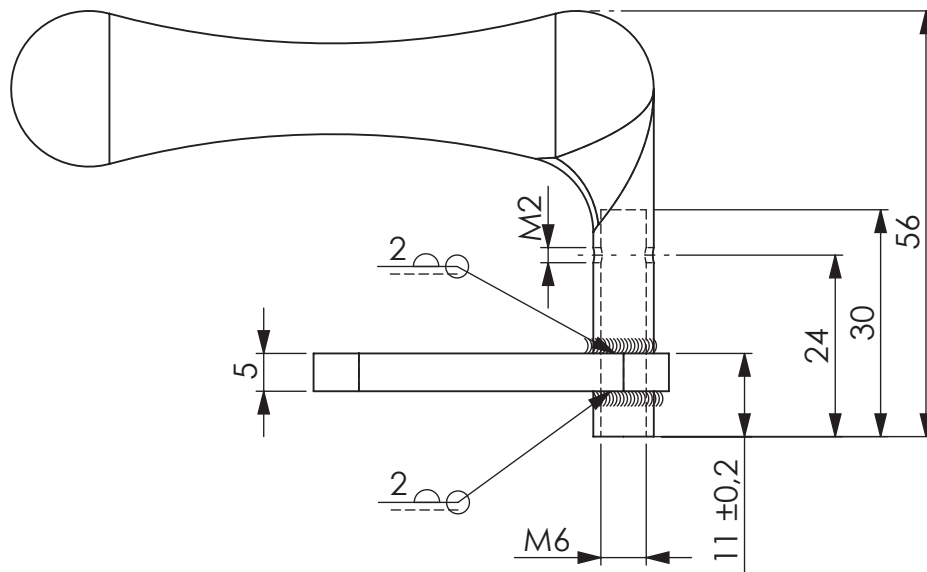
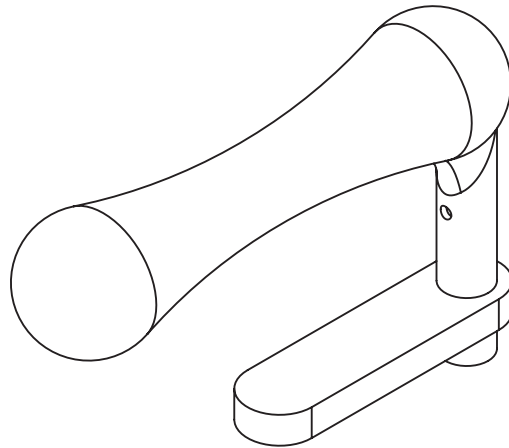
WARNING:
THE INFORMATION CONTAINED IN THIS
DRAWING IS THE SOLE PROPERTY OF
ZERCONINITY SL.
ANY REPRODUCTION IN PART OR AS A
WHOLE WITHOUT THE WRITTEN
PERMISSION OF ZERCONINITY IS
PROHIBITED.



N.º	CODE	DESCRIPTION	QUANTITY
2	0002-P-0016	Hatch window	1
3	0002-P-0015	Outer frame	1
4	0002-P-0017	Inner frame	1
5	DIN 6340-6.4	-	30
6	DIN 912 M6 x 16 --- 16N	-	30
7	0002-P-0056	Sealing insert	4
8	0002-P-0057	Insert cover	4
9	0002-P-0059	Lower handle	4
10	0002-P-0060	Upper handle	4
11	ISO 4766 - M2 x 8-N	-	1
12	0002-P-0083	Joint	1

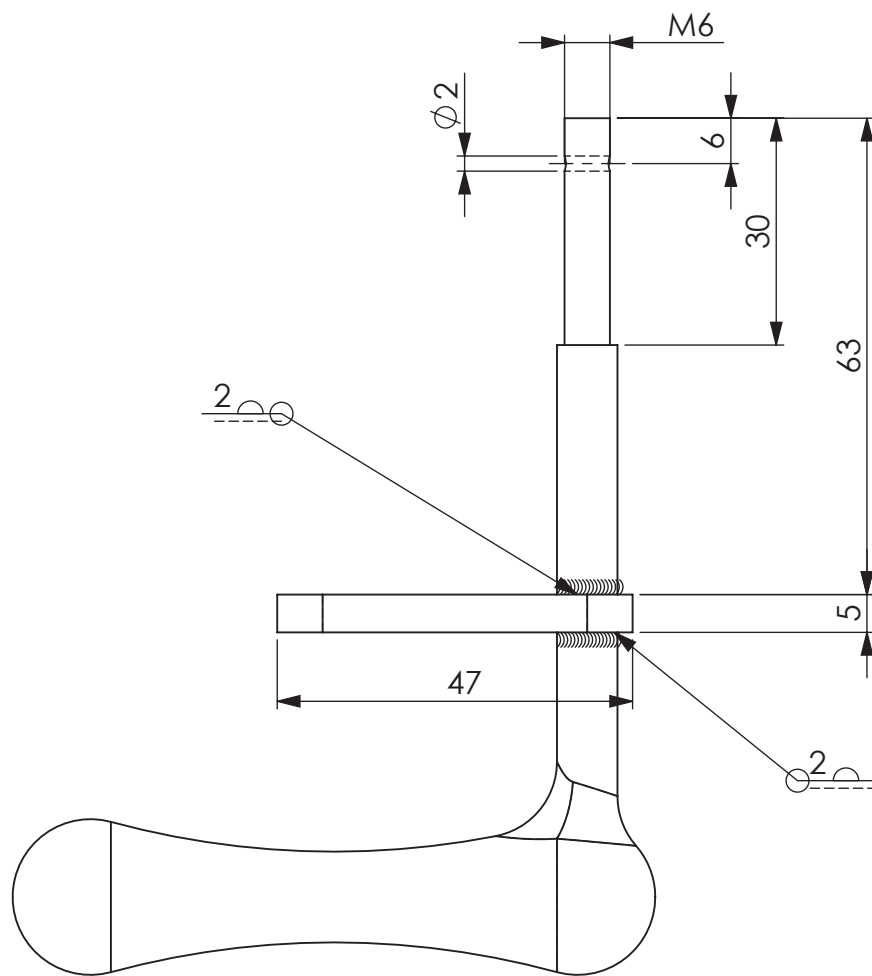
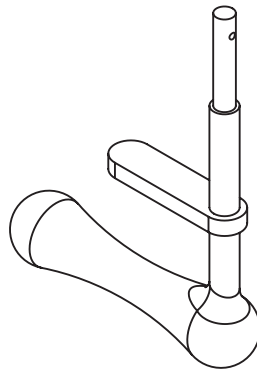
	Date	Name	Signature	Material	-	Observations	
Drawn	06.06.2014	David Jiménez		Placement	Entry		
Check				Quantity	1		
Scale	Sheet	Denomination	Code				
1:5	A3	Entry assembly	0002-E-0004				

WARNING:
THE INFORMATION CONTAINED IN THIS
DRAWING IS THE SOLE PROPERTY OF
ZERCONINITY SL.
ANY REPRODUCTION IN PART OR AS A
WHOLE WITHOUT THE WRITTEN
PERMISSION OF ZERCONINITY IS
PROHIBITED.



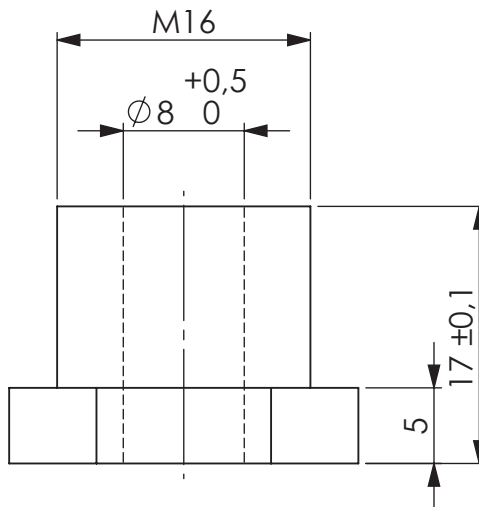
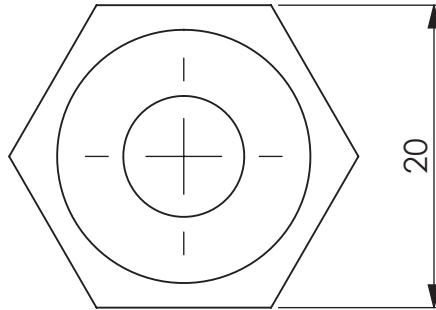
NOTE: Consult cad for no especificed measures


	Date	Name	Signature	Material	ALUMINUM 6082 T6	Observations	
Drawn	06.06.2014	David Jiménez		Placement	ENTRY		
Check				Quantity	4		
Scale	Sheet	Denomination	Code	UNIVERSITAT POLITÈCNICA DE CATALUNYA BARCELONATECH Escola Tècnica Superior d'Enginyeries Industrial i Aeronàutica de Terrassa			
1:1	A4	Upper handle	0002-P-0060				

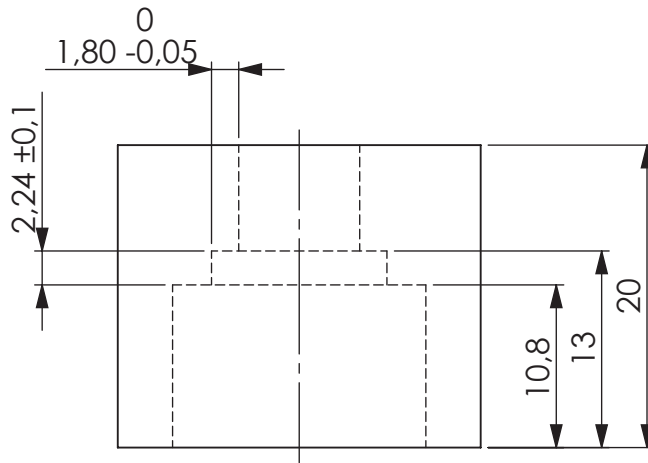
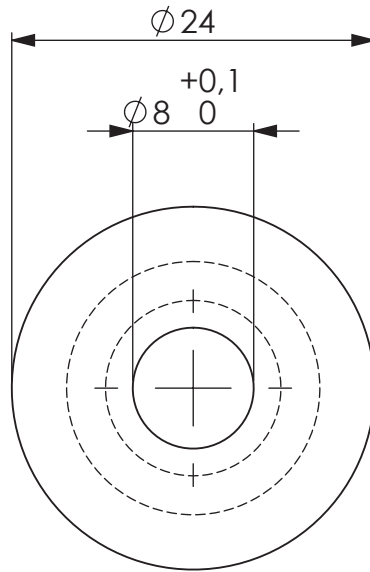


NOTE: Consult cad for no especificed measures

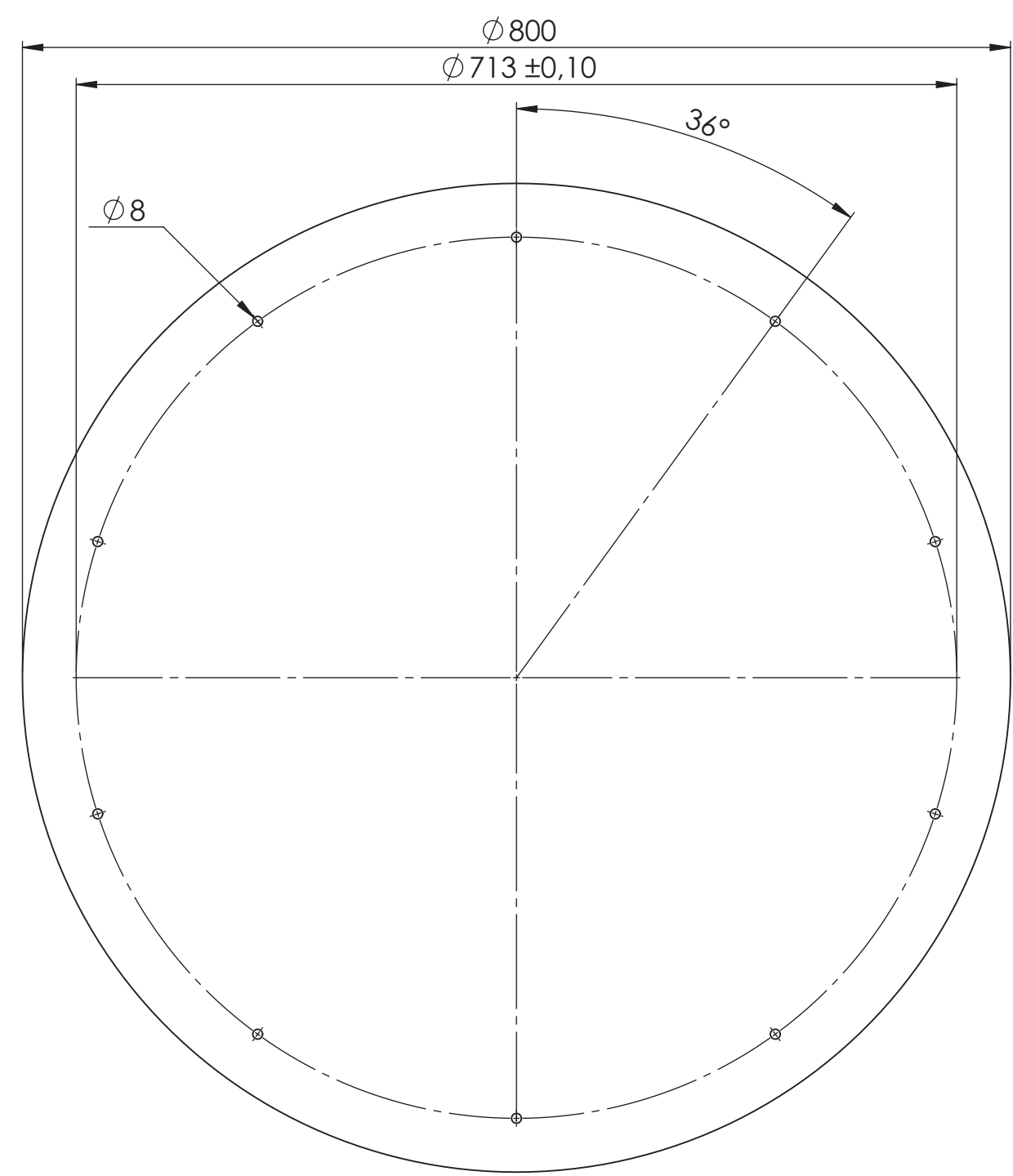
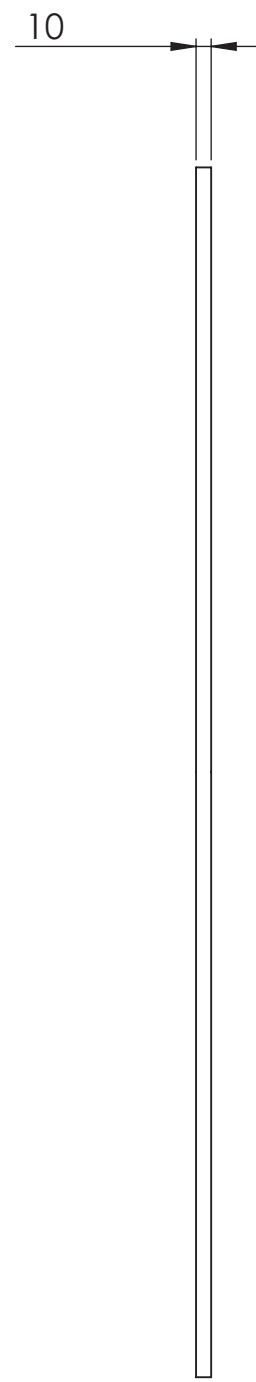
	Date	Name	Signature	Material	ALUMINUM 6082 T6	Observations
Drawn	06.06.2014	David Jiménez		Placement	ENTRY	
Check				Quantity	4	
Scale	Sheet	Denomination		Code		
1:1	A4	Interior handle		0002-P-0059	UNIVERSITAT POLITÈCNICA DE CATALUNYA BARCELONATECH Escola Tècnica Superior d'Enginyeries Industrial i Aeronàutica de Terrassa	<small>WARNING:</small> <small>THE INFORMATION CONTAINED IN THIS</small> <small>DRAWING IS THE SOLE PROPERTY OF</small> <small>ZEROINFINITY SL.</small> <small>ANY REPRODUCTION IN PART OR AS A</small> <small>WHOLE WITHOUT THE WRITTEN</small> <small>PERMISSION OF ZEROINFINITY IS</small> <small>PROHIBITED.</small>



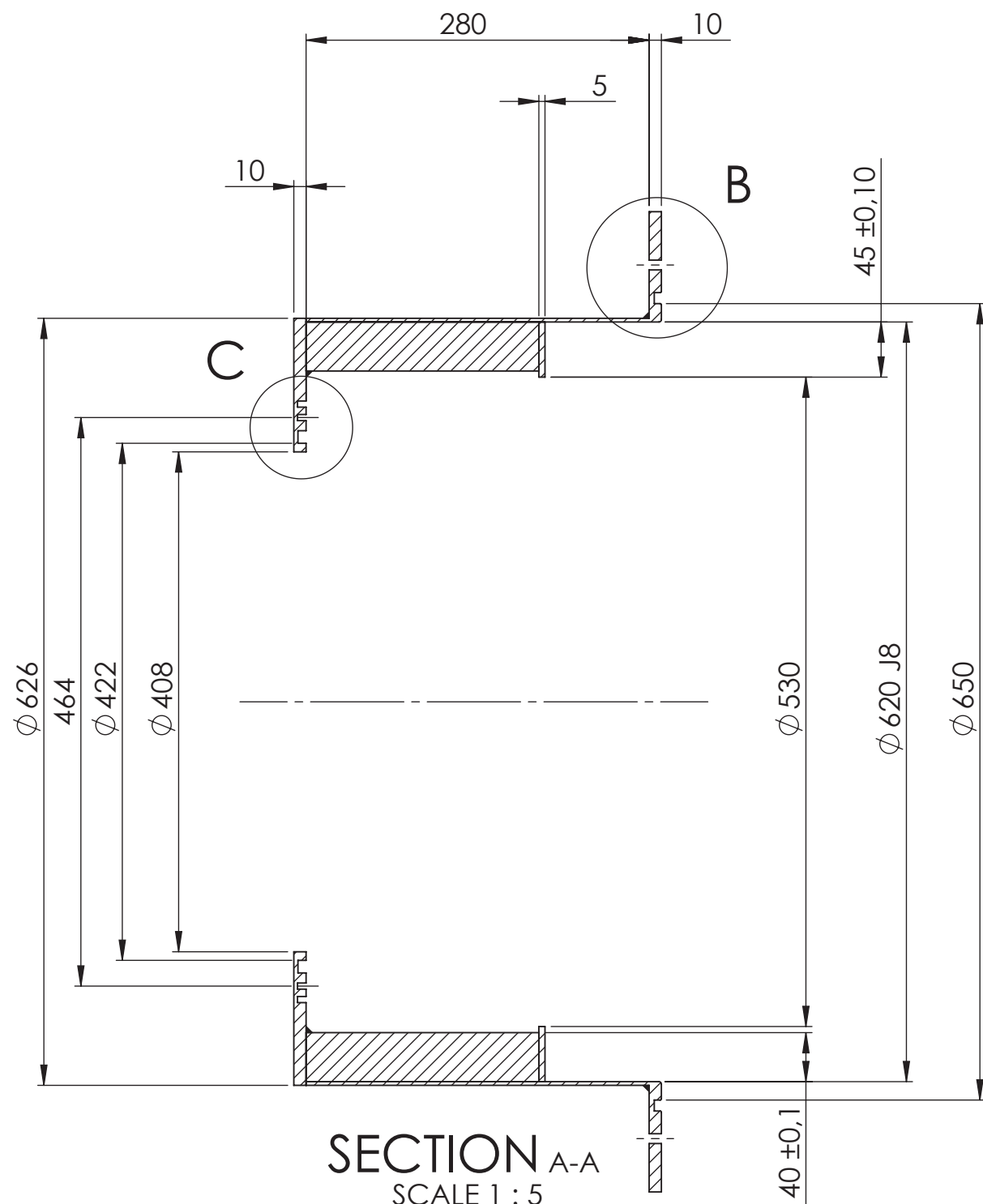
	Date	Name	Signature	Material	ALUMINUM 6082 T6	Observations	
Drawn	06.06.2014	David Jiménez		Placement	ENTRY		
Check				Quantity	4		
Scale	Sheet	Denomination		Code	 UNIVERSITAT POLITÈCNICA DE CATALUNYA BARCELONATECH Escola Tècnica Superior d'Enginyeries Industrial i Aeronàutica de Terrassa	<small>WARNING: THE INFORMATION CONTAINED IN THIS DRAWING IS THE SOLE PROPERTY OF ZEROINFINITY SL. ANY REPRODUCTION IN PART OR AS A WHOLE WITHOUT THE WRITTEN PERMISSION OF ZEROINFINITY IS PROHIBITED.</small>	
2:1	A4	Lower insert		0002-P-0057			



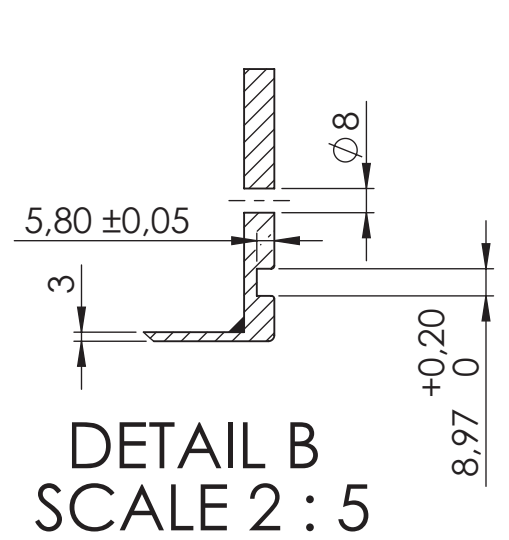
	Date	Name	Signature	Material	ALUMINUM 6082 T6	Observations	
Drawn	06.06.2014	David Jiménez		Placement	ENTRY		
Check				Quantity	4		
Scale	Sheet	Denomination		Code	UNIVERSITAT POLITÈCNICA DE CATALUNYA BARCELONATECH Escola Tècnica Superior d'Enginyeries Industrial i Aeronàutica de Terrassa	<small>WARNING: THE INFORMATION CONTAINED IN THIS DRAWING IS THE SOLE PROPERTY OF ZEROINFINITY SL. ANY REPRODUCTION IN PART OR AS A WHOLE WITHOUT THE WRITTEN PERMISSION OF ZEROINFINITY IS PROHIBITED.</small>	
2:1	A4	Sealing insert		0002-P-0056			



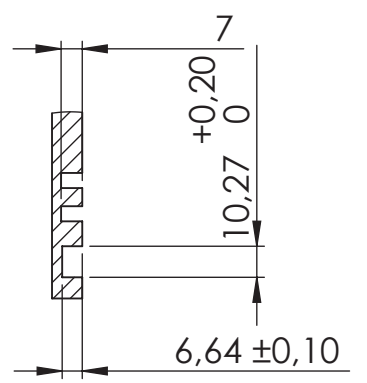
	Date	Name	Signature	Material	SS f1110	Observations
Drawn	06.06.2014	David Jiménez		Placement	Pressure boiler	
Check				Quantity	1	
Scale	Sheet	Denomination		Code	UNIVERSITAT POLITÈCNICA DE CATALUNYA BARCELONATECH Escola Tècnica Superior d'Enginyeries Industrial i Aeronàutica de Terrassa	
1:5	A3	Back cover		0002-P-0053	<small>WARNING: THE INFORMATION CONTAINED IN THIS DRAWING IS THE SOLE PROPERTY OF ZERCONFINITY SL. ANY REPRODUCTION IN PART OR AS A WHOLE WITHOUT THE WRITTEN PERMISSION OF ZERCONFINITY IS PROHIBITED.</small>	



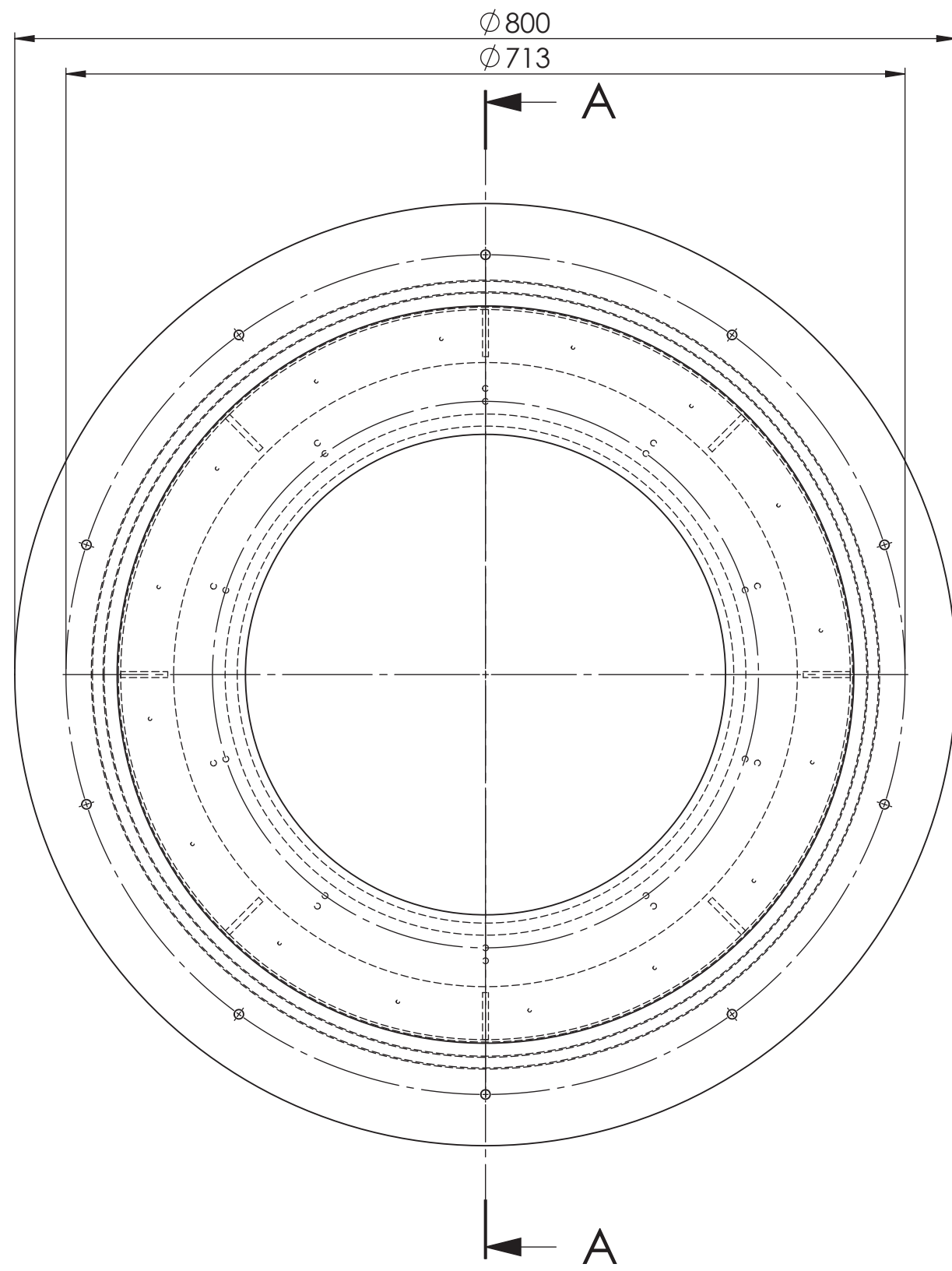
SECTION A-A
SCALE 1 : 5



DETAIL B
SCALE 2 : 5



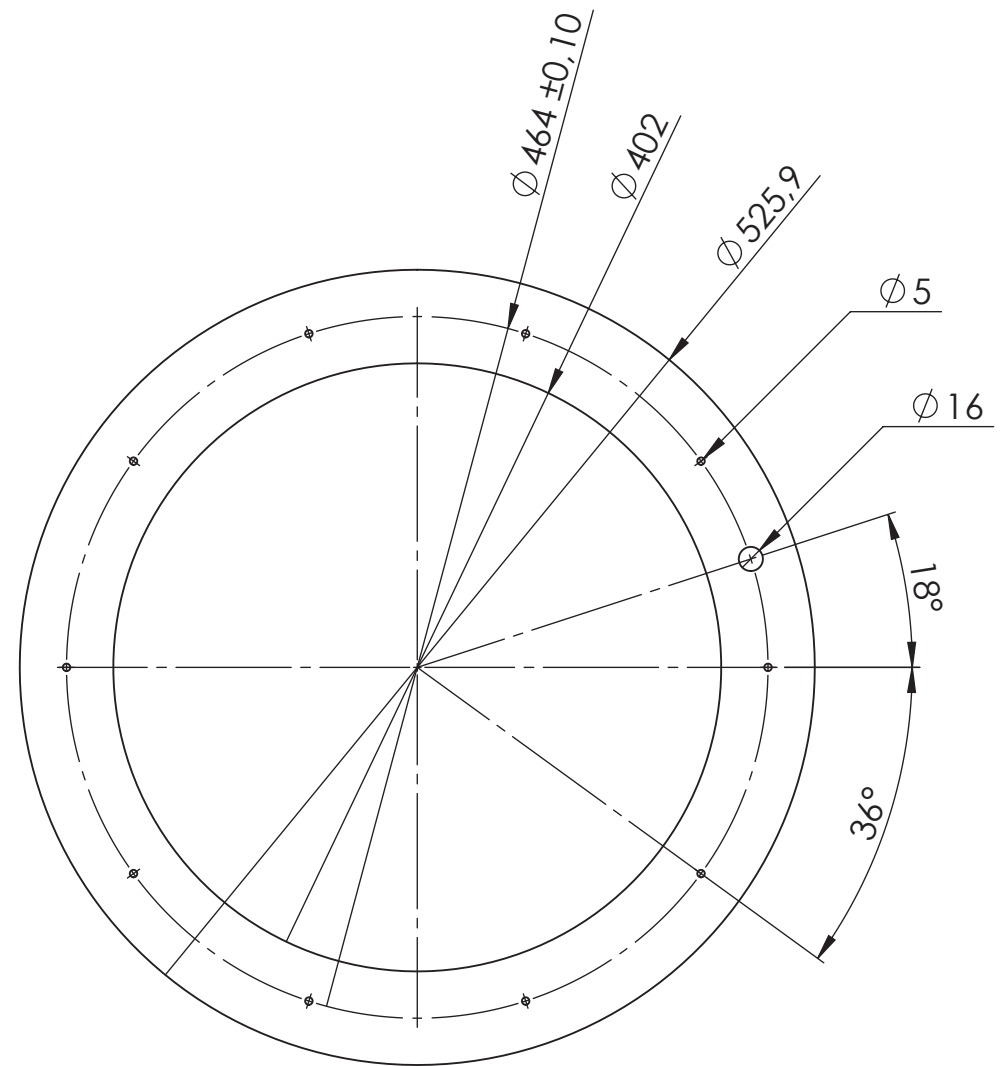
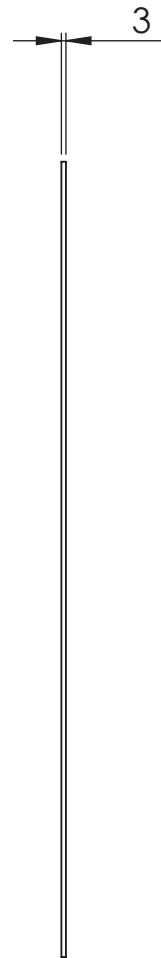
DETAIL C
SCALE 2 : 5



Ra 3,2

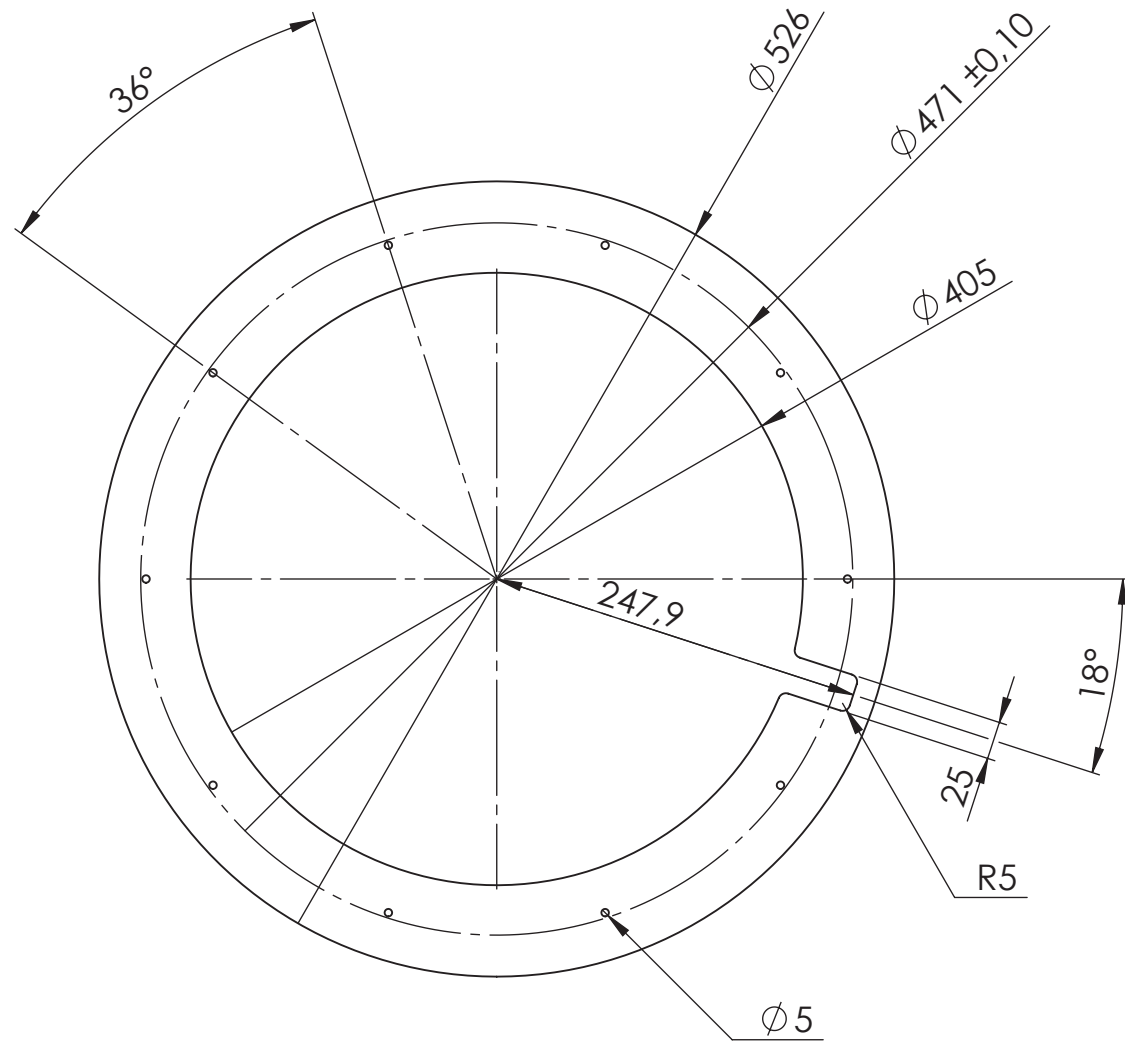
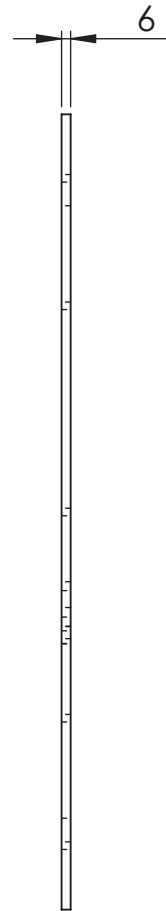
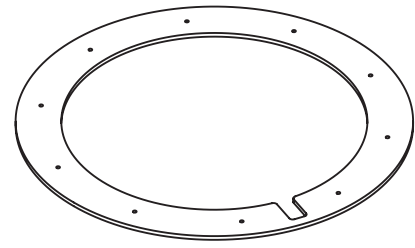
	Date	Name	Signature	Material	SS 316	Observations
Drawn	06.06.2014	David Jiménez		Placement	PRESSURE BOIL	
Check				Quantity	1	
Scale	Sheet	Denomination		Code		 <small>UNIVERSITAT POLITÈCNICA DE CATALUNYA BARCELONATECH</small> <small>Escola Tècnica Superior d'Enginyeries Industrial i Aeronàutica de Terrassa</small>
1:5	A3	Pressurized boiler		0002-P-0049		

WARNING:
THE INFORMATION CONTAINED IN THIS
DRAWING IS THE SOLE PROPERTY OF
ZERCIGNINITY SL.
ANY REPRODUCTION IN PART OR AS A
WHOLE WITHOUT THE WRITTEN
PERMISSION OF ZERCIGNINITY IS
PROHIBITED.

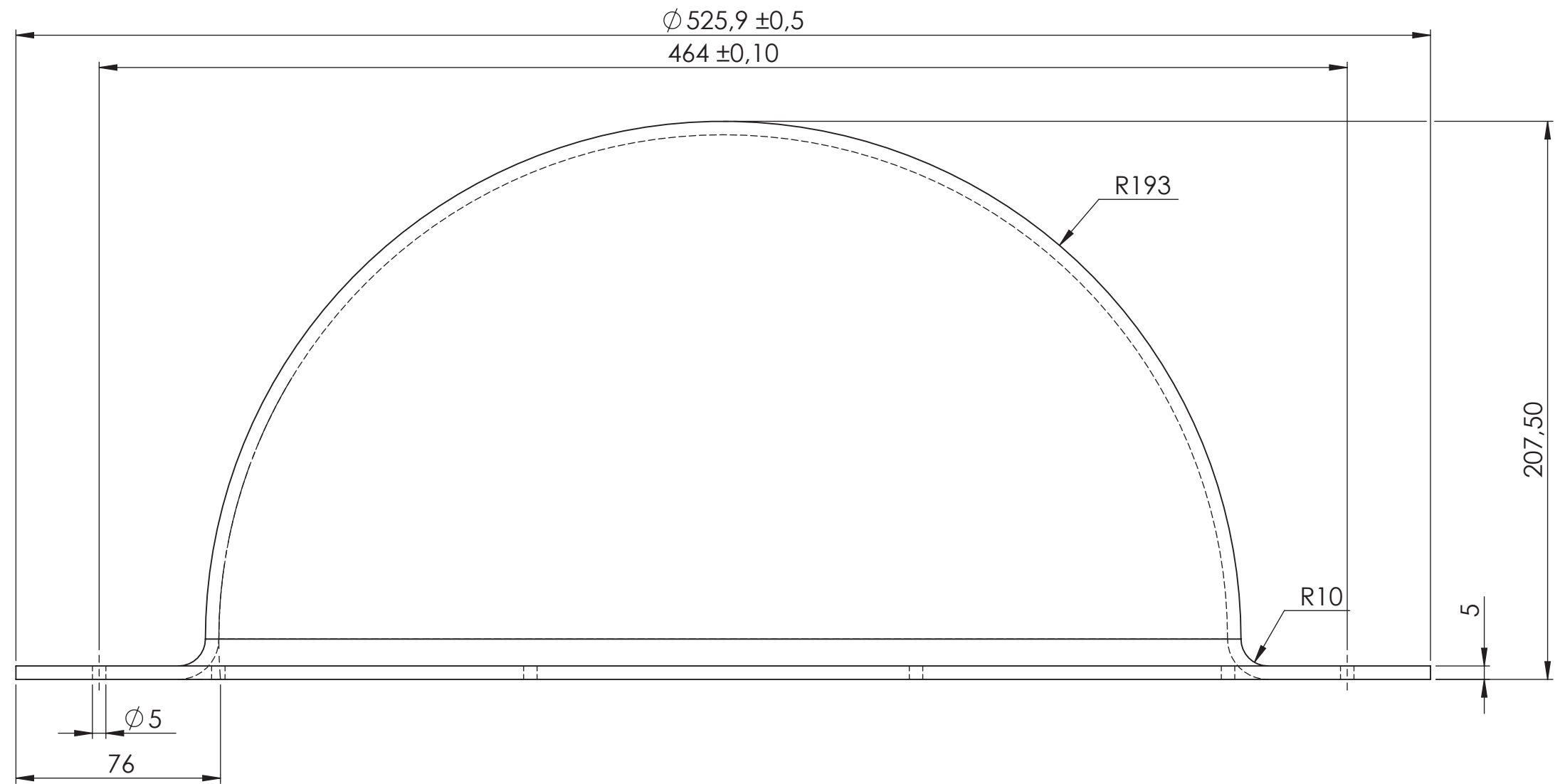
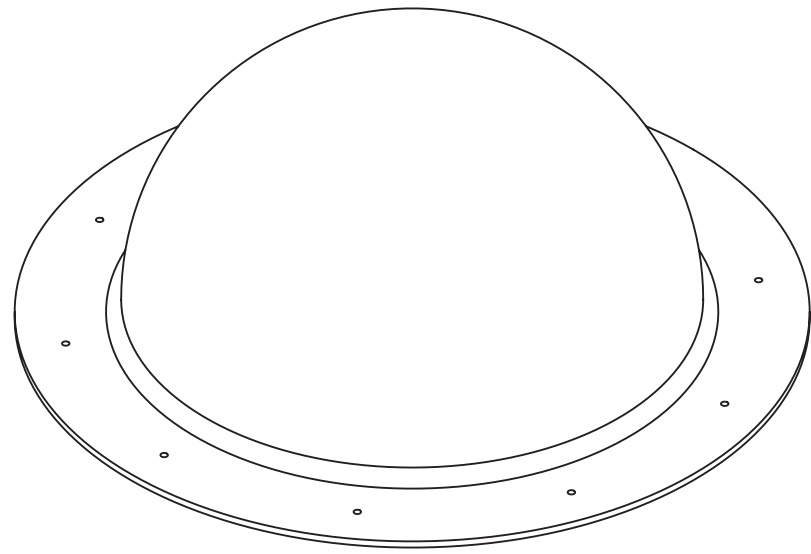


	Date	Name	Signature	Material	Aluminum 6082 T6	Observations
Drawn	06.06.2014	David Jiménez		Placement	Average window	
Check				Quantity	1	
Scale	Sheet	Denomination		Code		UNIVERSITAT POLITÈCNICA DE CATALUNYA BARCELONATECH Escola Tècnica Superior d'Enginyeries Industrial i Aeronàutica de Terrassa
1:5	A3	Protection plate		0002-P-0044		

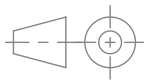

WARNING:
 THE INFORMATION CONTAINED IN THIS
 DRAWING IS THE SOLE PROPERTY OF
 ZERCONFINITY SL.
 ANY REPRODUCTION IN PART OR AS A
 WHOLE WITHOUT THE WRITTEN
 PERMISSION OF ZERCONFINITY IS
 PROHIBITED.

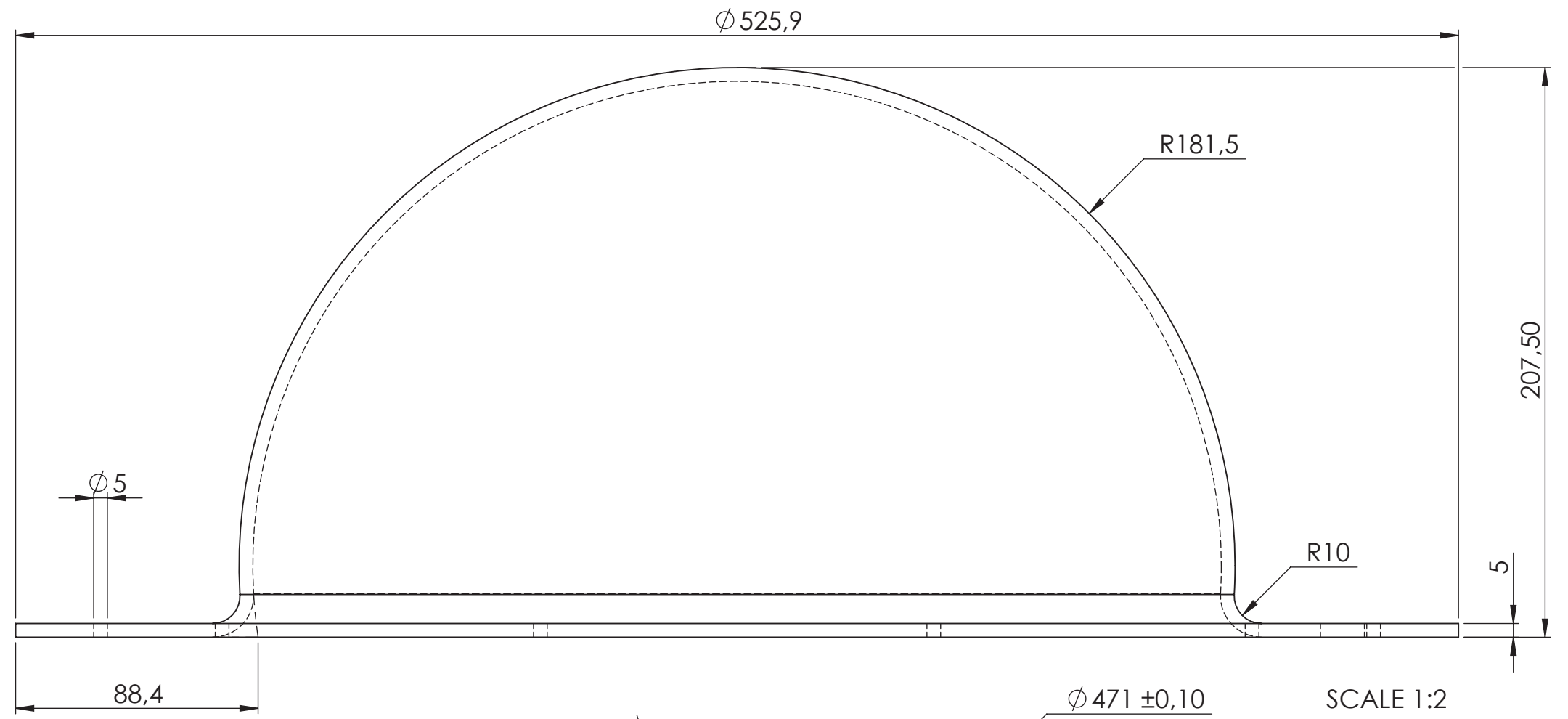


	Date	Name	Signature	Material	Polycarbonate M. UV	Observations
Drawn	06.06.2014	David Jiménez		Placement	Average window	
Check				Quantity	1	
Scale	Sheet	Denomination		Code	UNIVERSITAT POLITÈCNICA DE CATALUNYA BARCELONATECH Escola Tècnica Superior d'Enginyeries Industrial i Aeronàutica de Terrassa	
1:5	A3	Spacer		0002-P-0043	<small>WARNING: THE INFORMATION CONTAINED IN THIS DRAWING IS THE SOLE PROPERTY OF ZEROINFINITY SL. ANY REPRODUCTION IN PART OR AS A WHOLE WITHOUT THE WRITTEN PERMISSION OF ZEROINFINITY IS PROHIBITED.</small>	

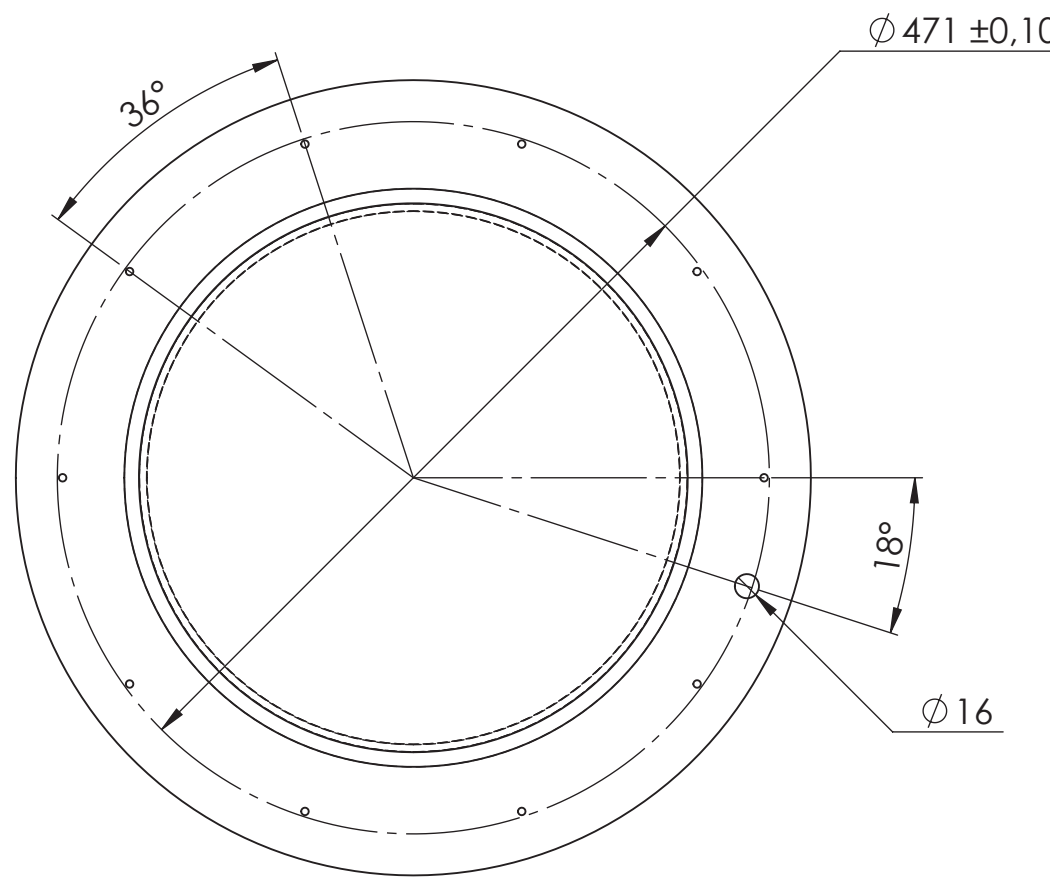
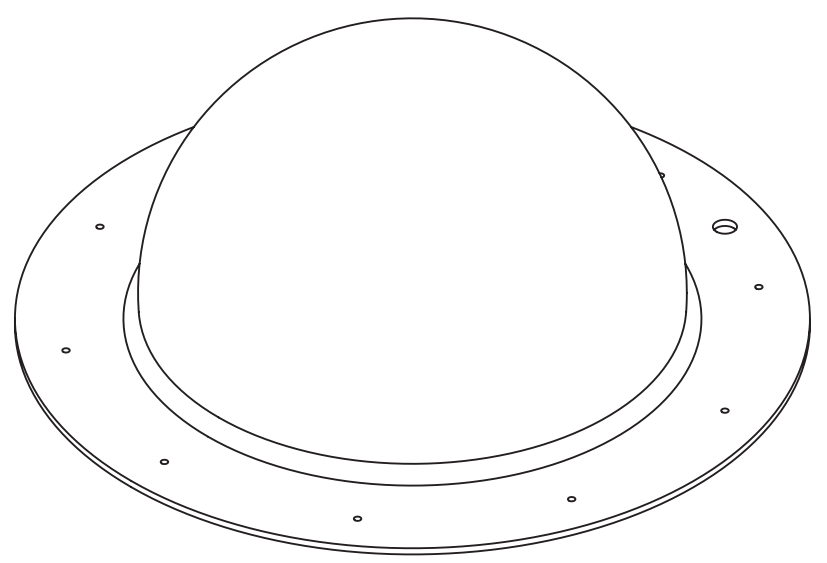



NOTE: 10 holes

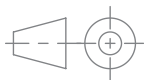
	Date	Name	Signature	Material	Polycarbonate M. UV	Observations
Drawn	06.06.2014	David Jiménez		Placement	Average window	
Check				Quantity	1	
Scale	Sheet	Denomination		Code	 UNIVERSITAT POLITÈCNICA DE CATALUNYA BARCELONATECH Escola Tècnica Superior d'Enginyeries Industrial i Aeronàutica de Terrassa	
1:2	A3	Outer layer		0002-P-0005	<small>WARNING: THE INFORMATION CONTAINED IN THIS DRAWING IS THE SOLE PROPERTY OF ZEROINFINITY SL. ANY REPRODUCTION IN PART OR AS A WHOLE WITHOUT THE WRITTEN PERMISSION OF ZEROINFINITY IS PROHIBITED.</small>	



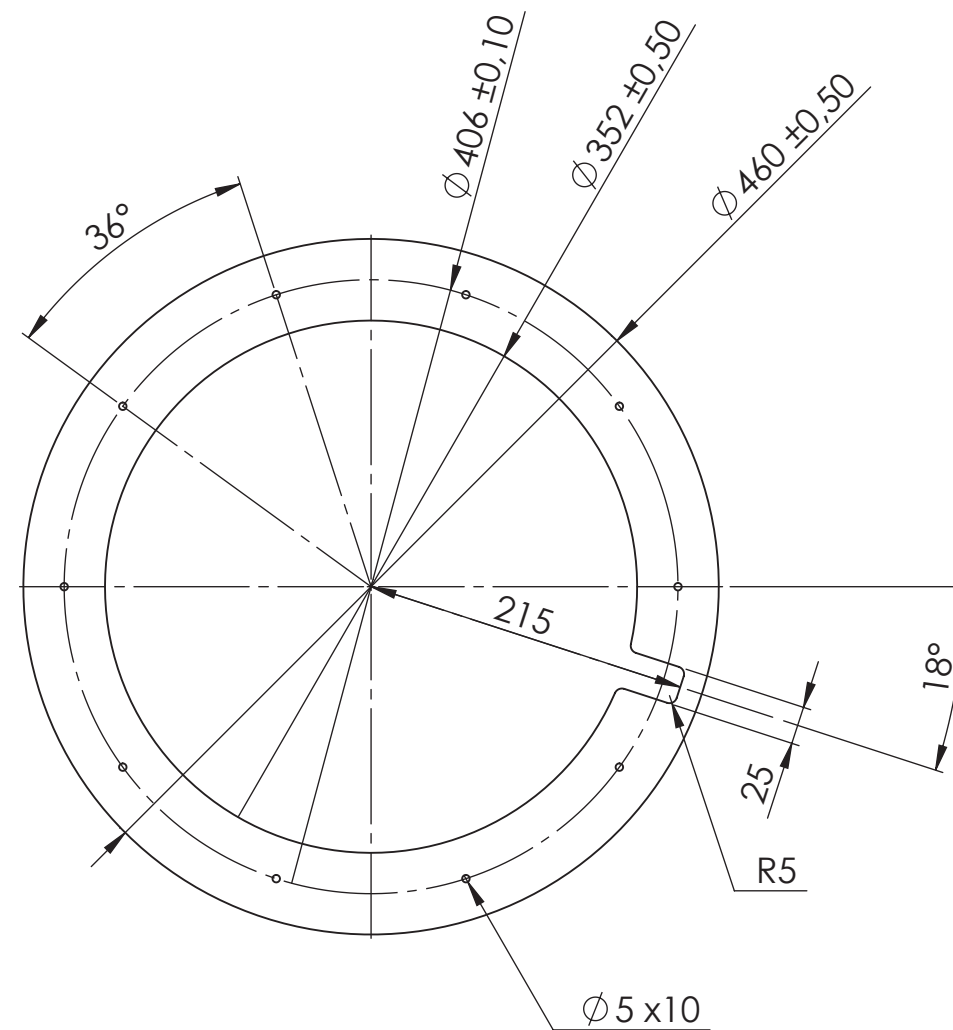
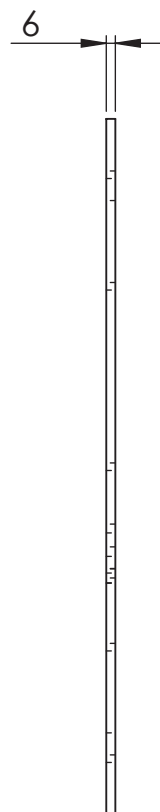
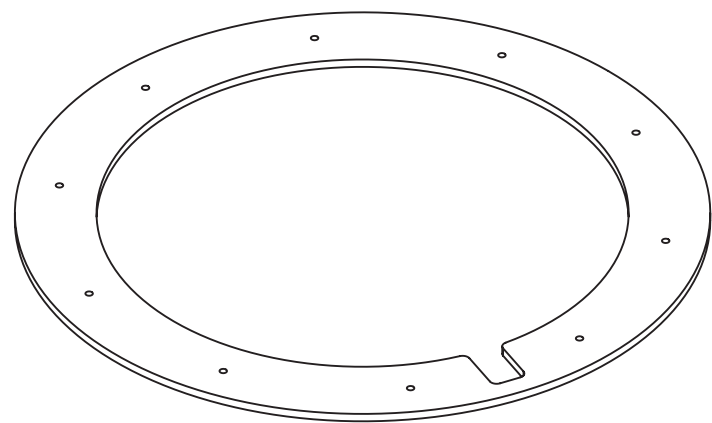
SCALE 1:2



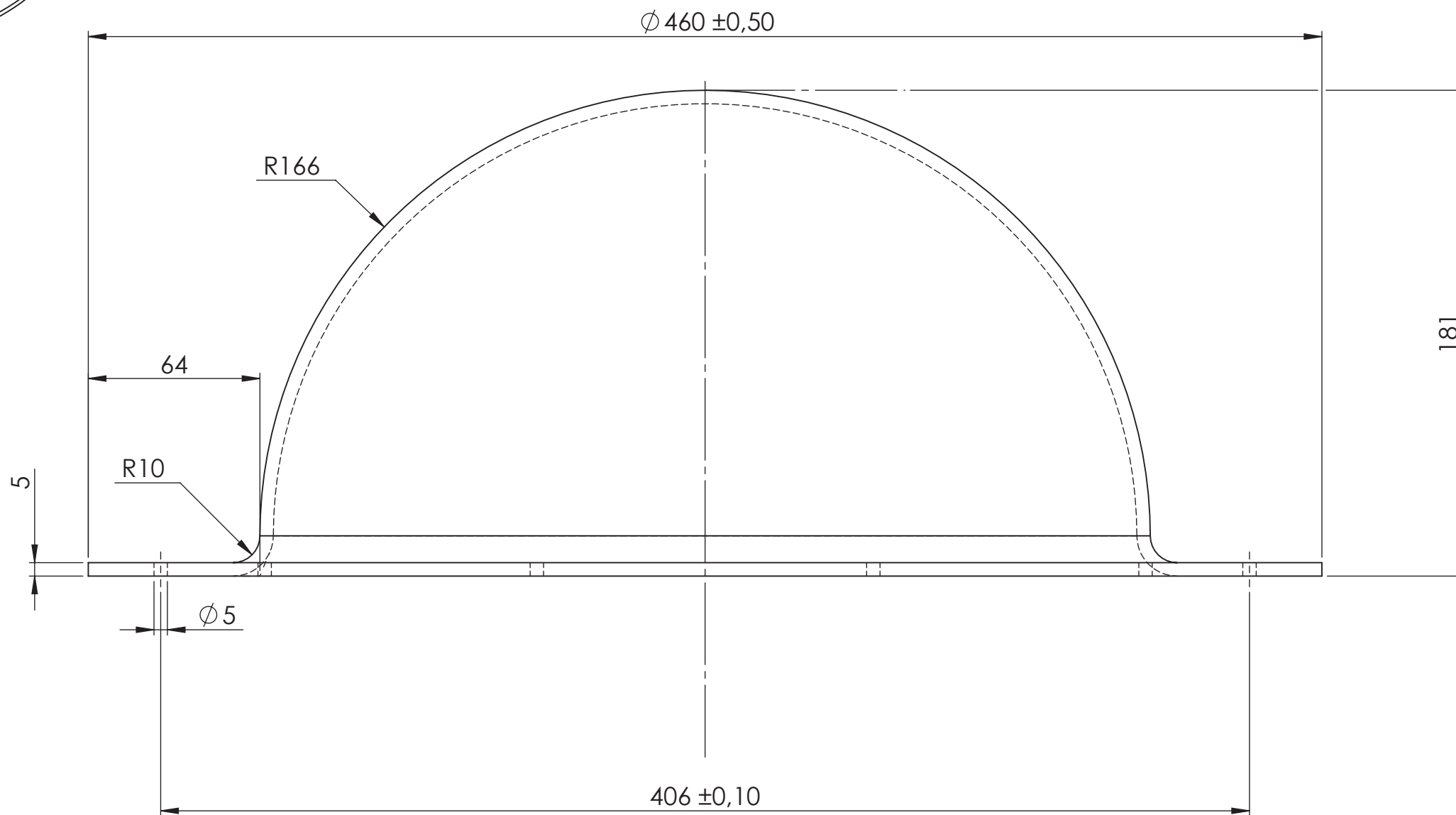
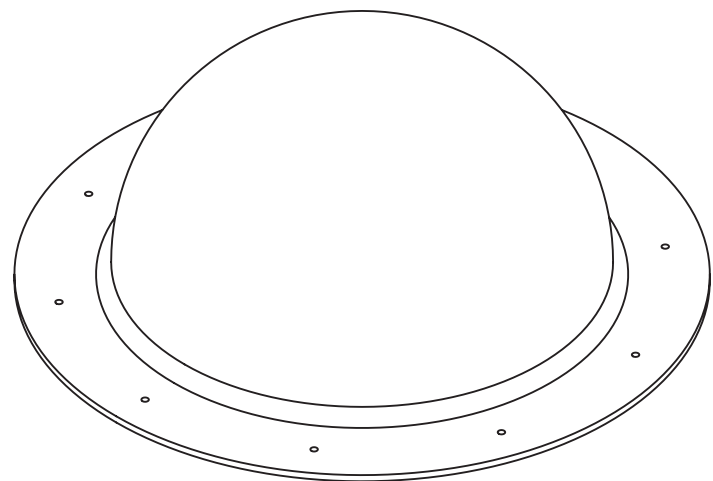
	Date	Name	Signature	Material	Polycarbonate M. UV	Observations
Drawn	06.06.2014	David Jiménez		Placement	Average window	
Check				Quantity	1	
Scale	Sheet	Denomination		Code	 UNIVERSITAT POLITÈCNICA DE CATALUNYA BARCELONATECH Escola Tècnica Superior d'Enginyeries Industrial i Aeronàutica de Terrassa	
1:2	A3	Inner layer		0002-P-0040		



WARNING:
THE INFORMATION CONTAINED IN THIS
DRAWING IS THE SOLE PROPERTY OF
UNIVERSITAT POLITÈCNICA DE CATALUNYA
ANY REPRODUCTION IN PART OR AS A
WHOLE WITHOUT THE WRITTEN
PERMISSION OF ZEROINFINITY IS
PROHIBITED.



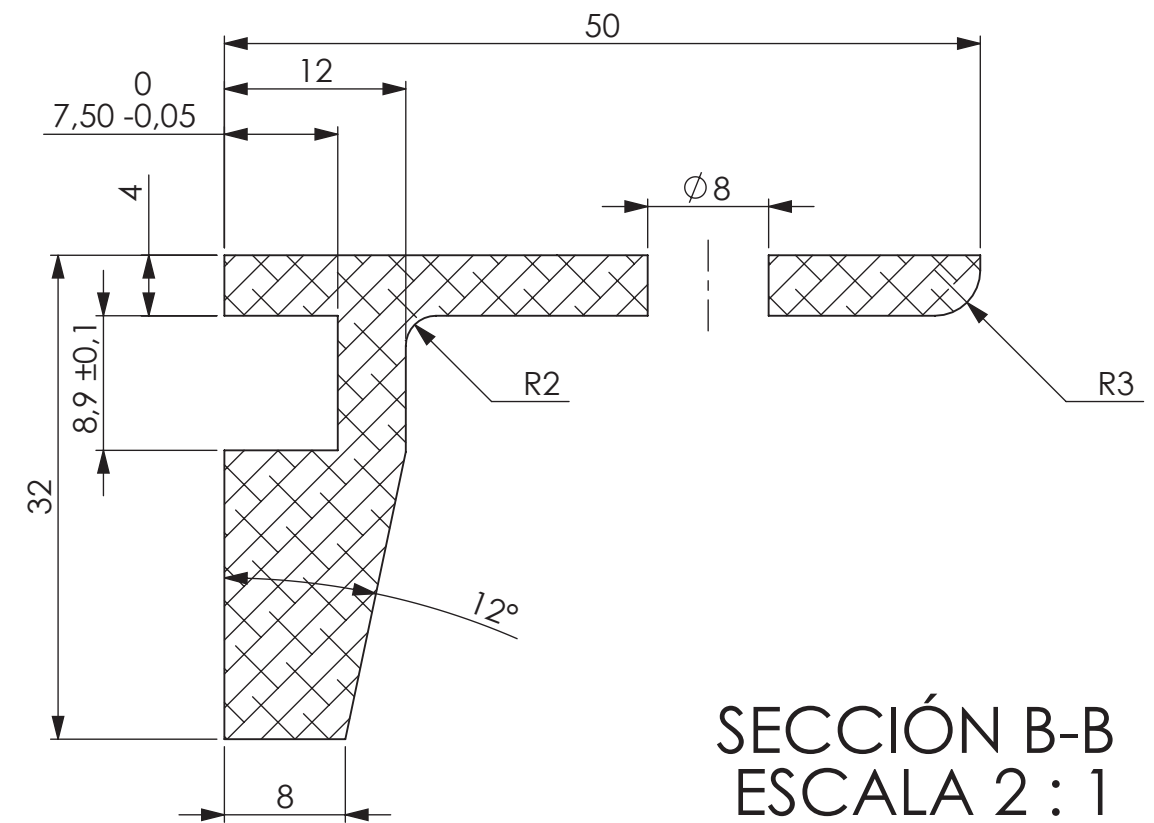
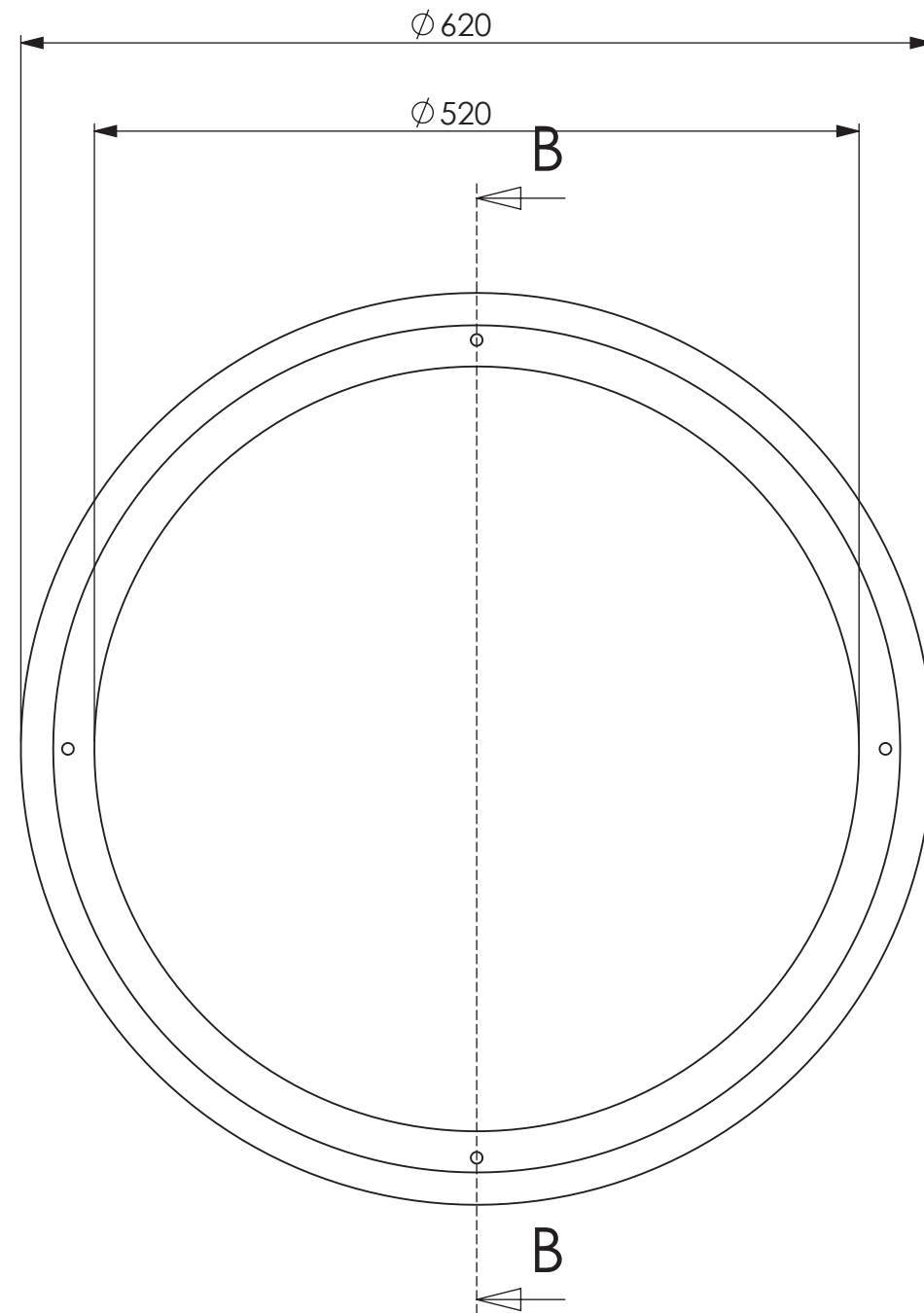
	Date	Name	Signature	Material	Polycarbonate M. UV	Observations
Drawn	06.06.2014	David Jiménez		Placement	Little window	
Check				Quantity	3	
Scale	Sheet	Denomination		Code		
1:5	A3	Spacer		0002-P-0008	UNIVERSITAT POLITÈCNICA DE CATALUNYA BARCELONATECH Escola Tècnica Superior d'Enginyeries Industrial i Aeronàutica de Terrassa	<small>WARNING: THE INFORMATION CONTAINED IN THIS DRAWING IS THE SOLE PROPERTY OF ZEROINFINITY SL. ANY REPRODUCTION IN PART OR AS A WHOLE WITHOUT THE WRITTEN PERMISSION OF ZEROINFINITY IS PROHIBITED.</small>



NOTE: 10 Holes

	Date	Name	Signature	Material	Polycarbonate M. UV	Observations
Drawn	06.06.2014	David Jiménez		Placement	Little window	
Check				Quantity	3	
Scale	Sheet	Denomination		Code		
1:2	A3	External dome		0002-P-0005	UNIVERSITAT POLITÈCNICA DE CATALUNYA BARCELONATECH Escola Tècnica Superior d'Enginyeries Industrial i Aeronàutica de Terrassa	

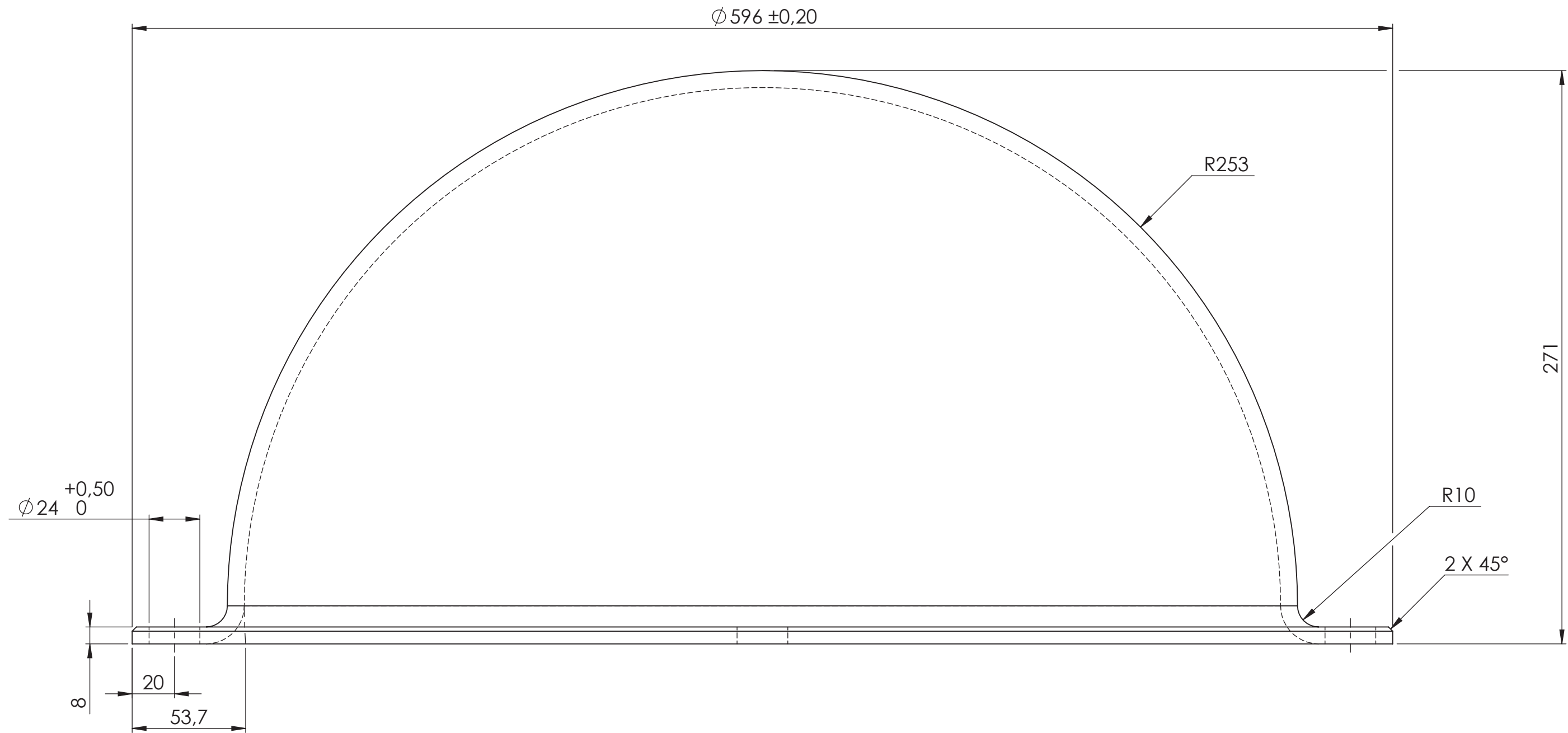
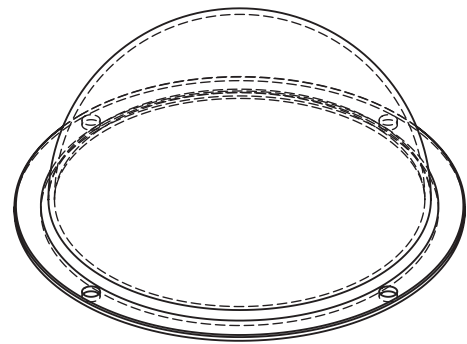
WARNING: THE INFORMATION CONTAINED IN THIS DRAWING IS THE SOLE PROPERTY OF ZEROINFINITY SL. ANY REPRODUCTION IN PART OR AS A WHOLE WITHOUT THE WRITTEN PERMISSION OF ZEROINFINITY IS PROHIBITED.




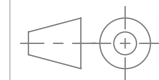
SECCI3N B-B
ESCALA 2 : 1

	Date	Name	Signature	Material	Aluminum 6082 T6	Observations
Drawn	06.06.2014	David Jim3nez		Placement	Entry	
Check				Quantity	1	
Scale	Sheet	Denomination		Code		
1:5	A3	Inner entry frame		0002-P-0018	UNIVERSITAT POLIT3CNICA DE CATALUNYA BARCELONATECH Escola T3cnica Superior d'Enginyeries Industrial i Aeron3utica de Terrassa	

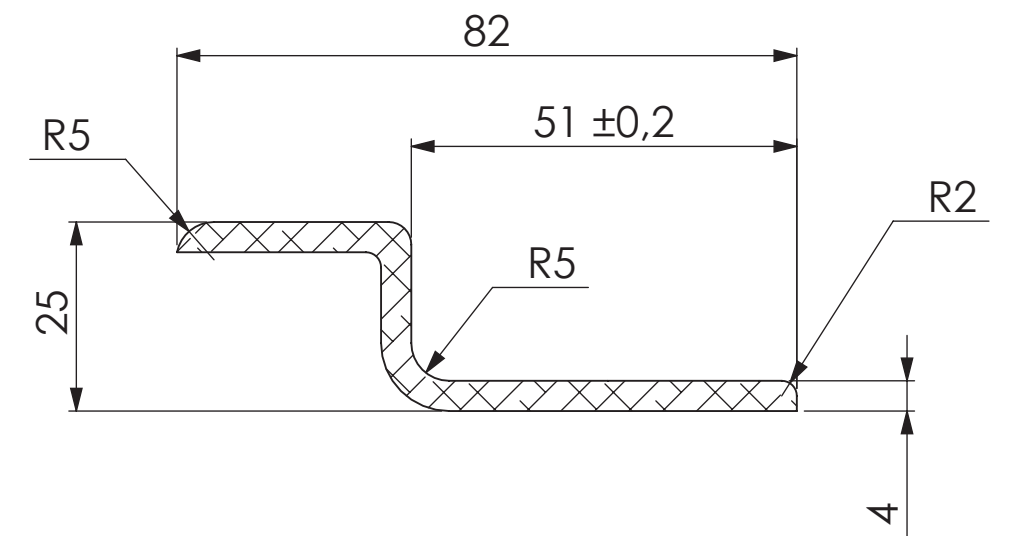
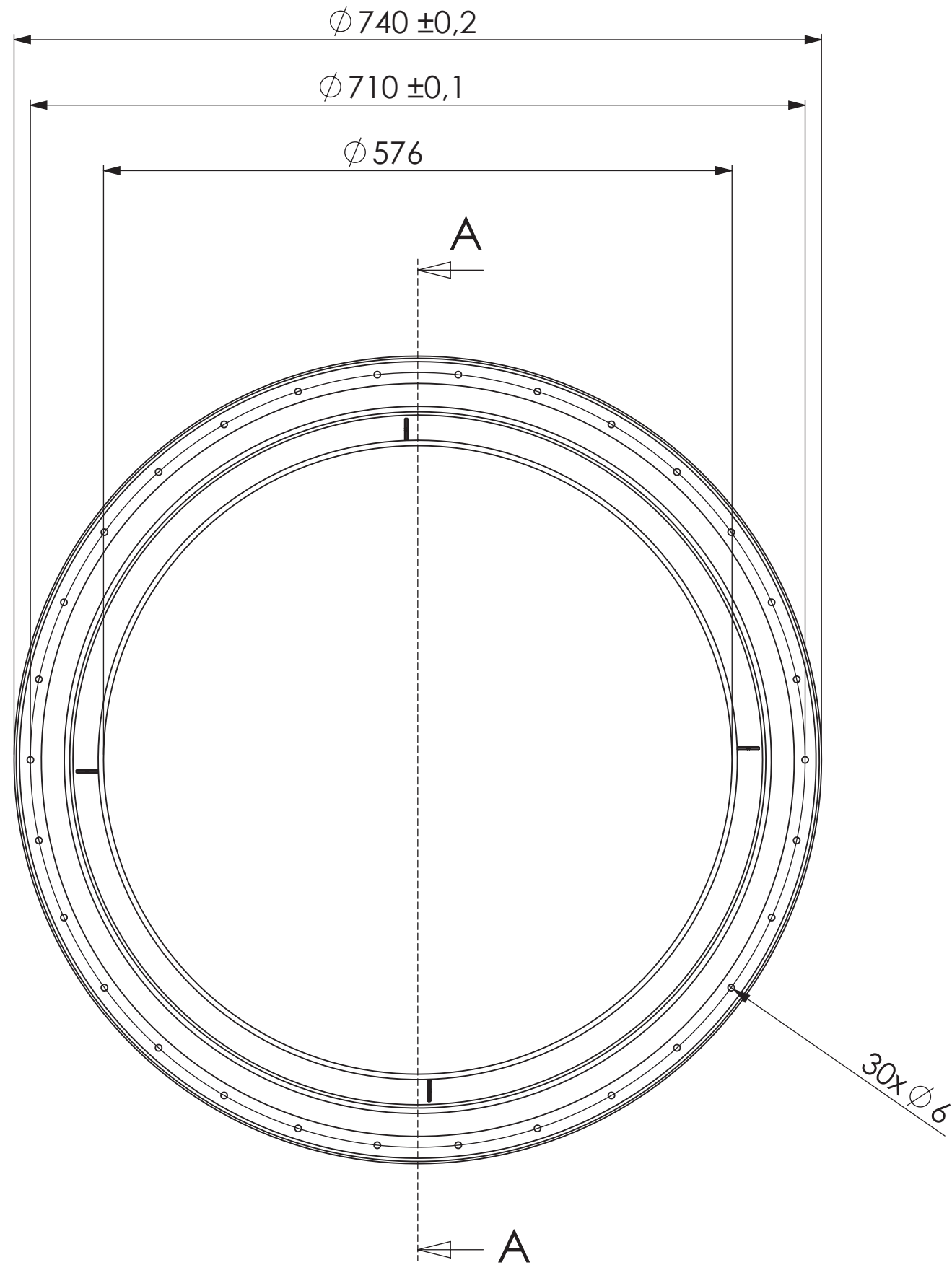
WARNING:
THE INFORMATION CONTAINED IN THIS
DRAWING IS THE SOLE PROPERTY OF
ZERCIGNINITY SL.
ANY REPRODUCTION IN PART OR AS A
WHOLE WITHOUT THE WRITTEN
PERMISSION OF ZERCIGNINITY IS
PROHIBITED.



	Date	Name	Signature	Material	Polycarbonate M. UV	Observations
Drawn	06.06.2014	David Jiménez		Placement	Entry	
Check				Quantity	1	
Scale	Sheet	Denomination		Code	 UNIVERSITAT POLITÈCNICA DE CATALUNYA BARCELONATECH Escola Tècnica Superior d'Enginyeries Industrial i Aeronàutica de Terrassa	
1:2	A3	Entry dome		0002-P-0016		

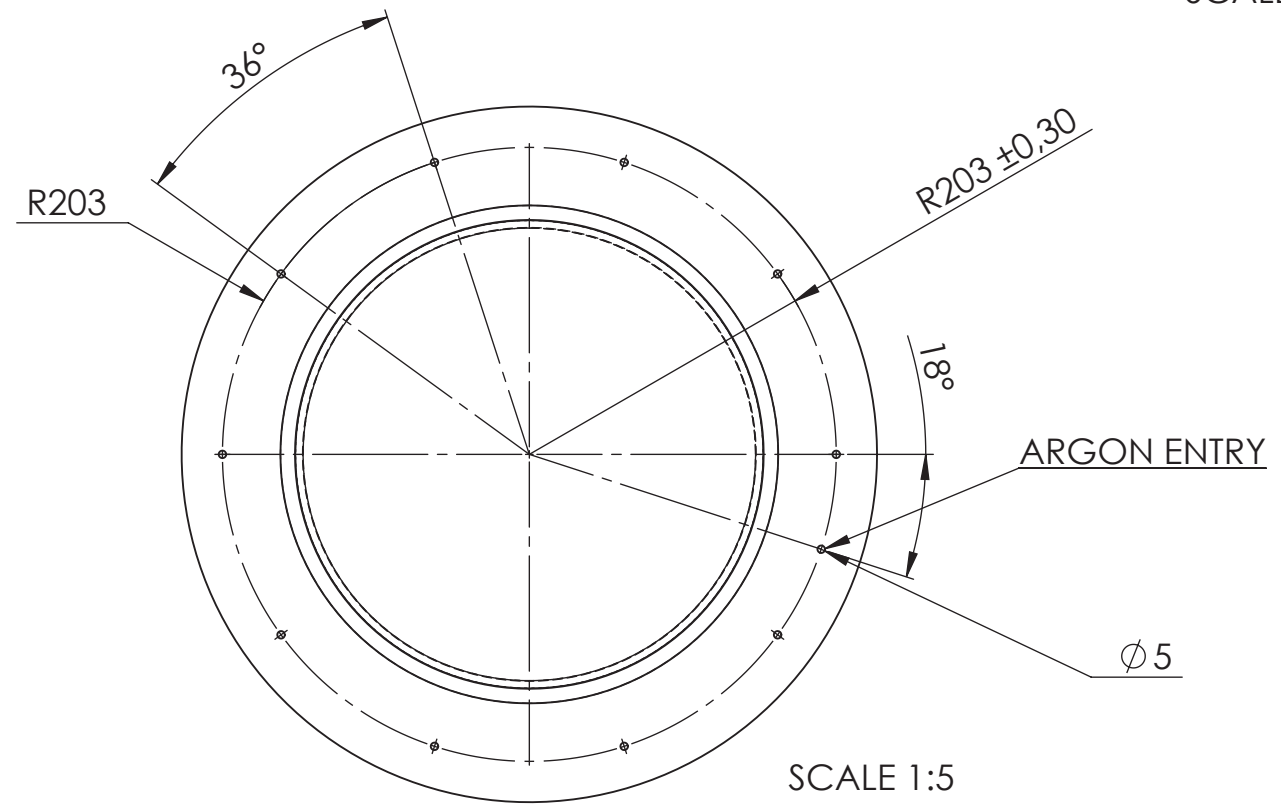
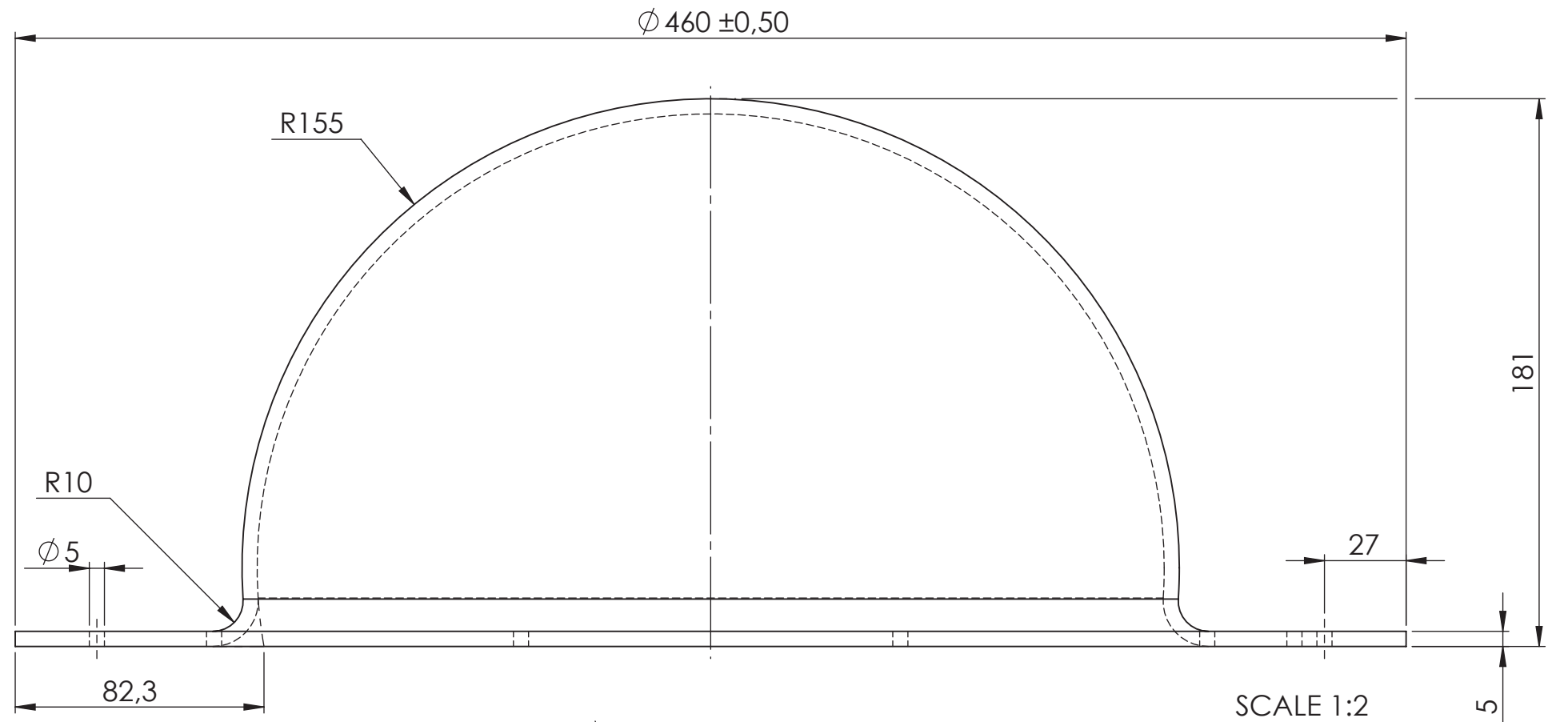
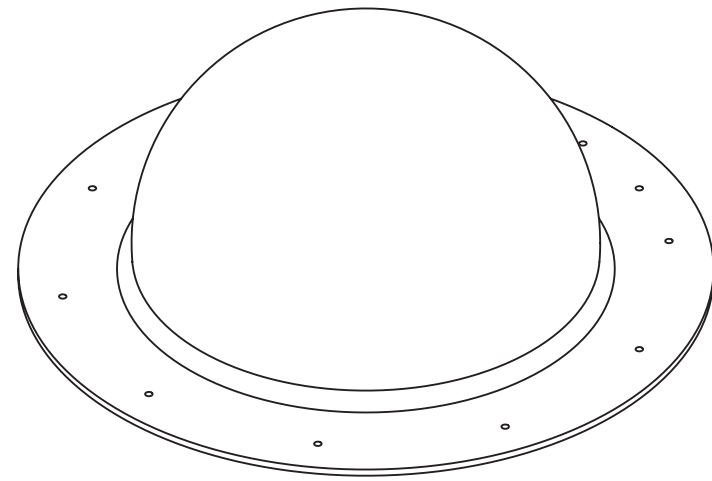


WARNING:
 THE INFORMATION CONTAINED IN THIS DRAWING IS THE SOLE PROPERTY OF ZERCONFINITY SL.
 ANY REPRODUCTION IN PART OR AS A WHOLE WITHOUT THE WRITTEN PERMISSION OF ZERCONFINITY IS PROHIBITED.

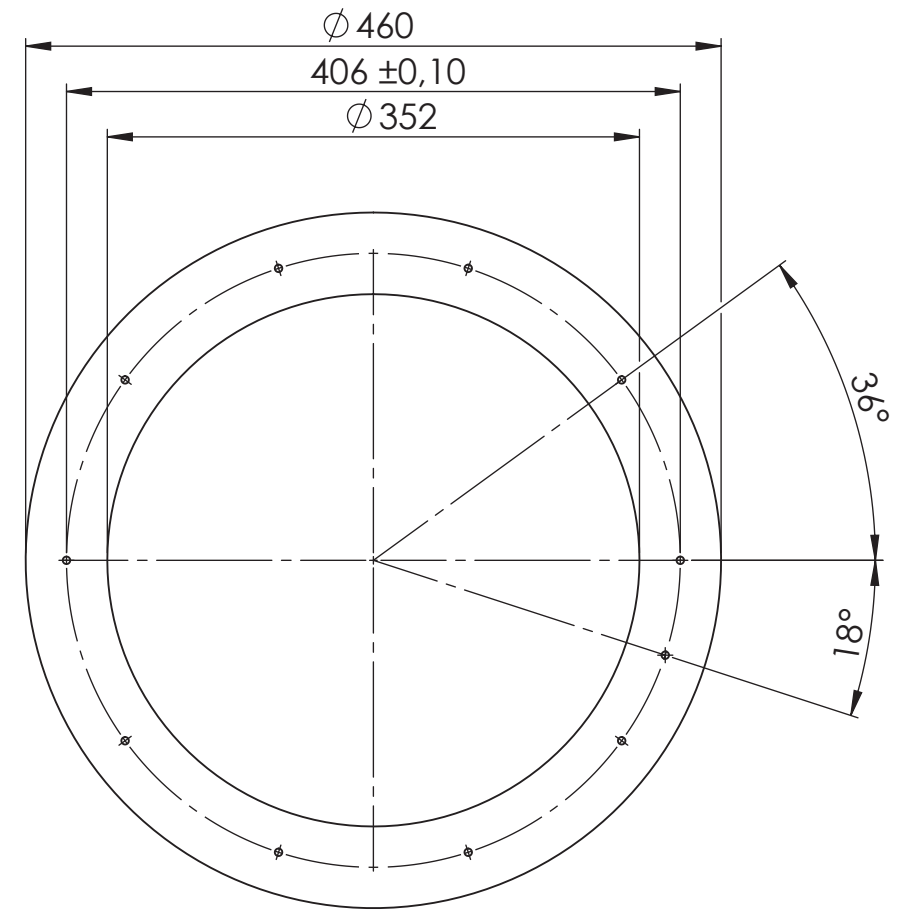
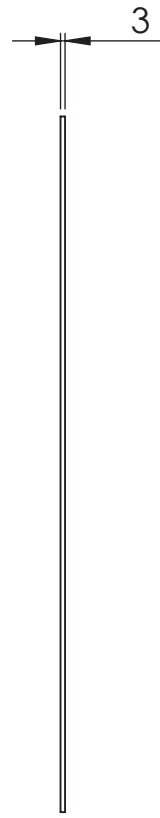


SECCIÓN A-A
ESCALA 1 : 1

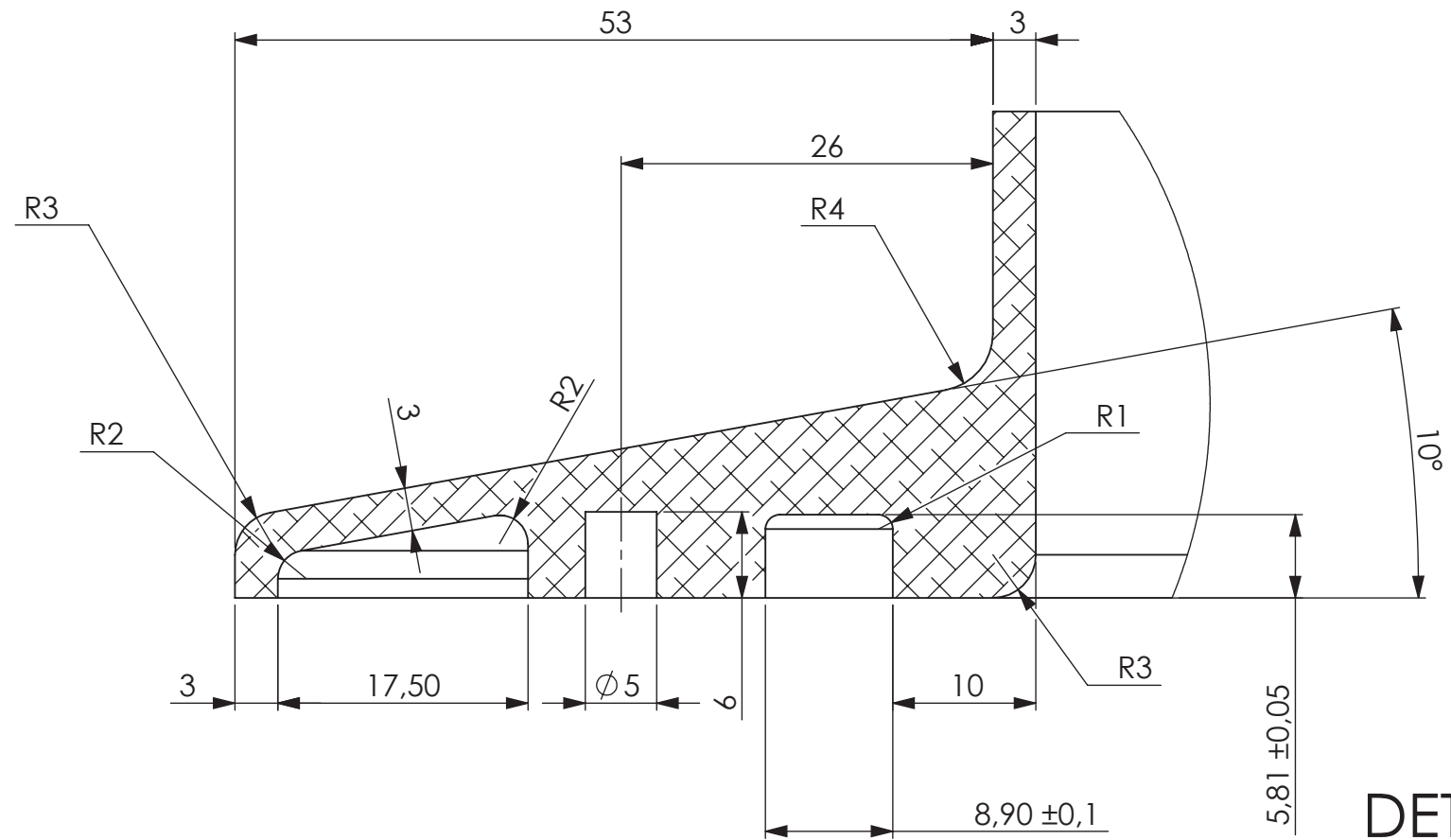
	Date	Name	Signature	Material	Aluminum 7075 T6	Observations
Drawn	06.06.2014	David Jiménez		Placement	Entry	
Check				Quantity	1	
Scale	Sheet	Denomination		Code		
1:2	A3	Outer frame		0002-P-0015		



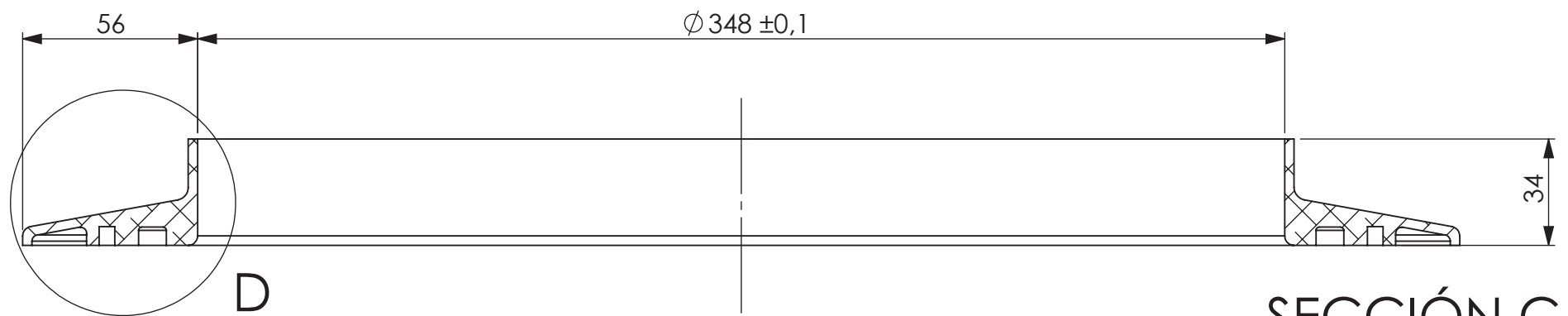
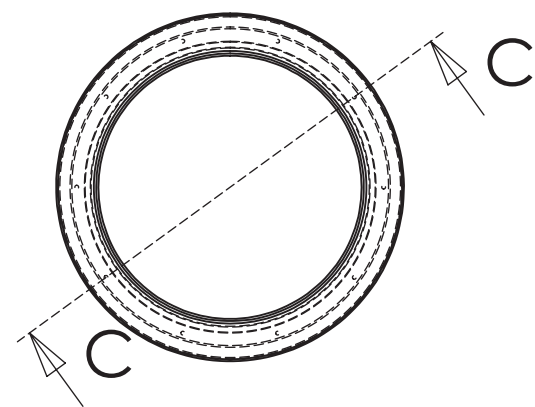
	Date	Name	Signature	Material	Polycarbonate M. UV	Observations
Drawn	06.06.2014	David Jiménez		Placement	Little window	
Check				Quantity	3	
Scale	Sheet	Denomination	Code	UNIVERSITAT POLITÈCNICA DE CATALUNYA BARCELONATECH Escola Tècnica Superior d'Enginyeries Industrial i Aeronàutica de Terrassa		
1:5	A3	Inner window	0002-P-0007			<small>WARNING: THE INFORMATION CONTAINED IN THIS DRAWING IS THE SOLE PROPERTY OF ZERCONFINITY SL. ANY REPRODUCTION IN PART OR AS A WHOLE WITHOUT THE WRITTEN PERMISSION OF ZERCONFINITY IS PROHIBITED.</small>




	Date	Name	Signature	Material	Aluminum 6082 T6	Observations	
Drawn	06.06.2014	David Jiménez		Placement	Little window		
Check				Quantity	3		
Scale	Sheet	Denomination		Code	UNIVERSITAT POLITÈCNICA DE CATALUNYA BARCELONATECH Escola Tècnica Superior d'Enginyeries Industrial i Aeronàutica de Terrassa		<small>WARNING:</small> <small>THE INFORMATION CONTAINED IN THIS DRAWING IS THE SOLE PROPERTY OF ZEROINFINITY SL.</small> <small>ANY REPRODUCTION IN PART OR AS A WHOLE WITHOUT THE WRITTEN PERMISSION OF ZEROINFINITY IS PROHIBITED.</small>
1:5	A3	UNION PLATE		0002-P-0006			

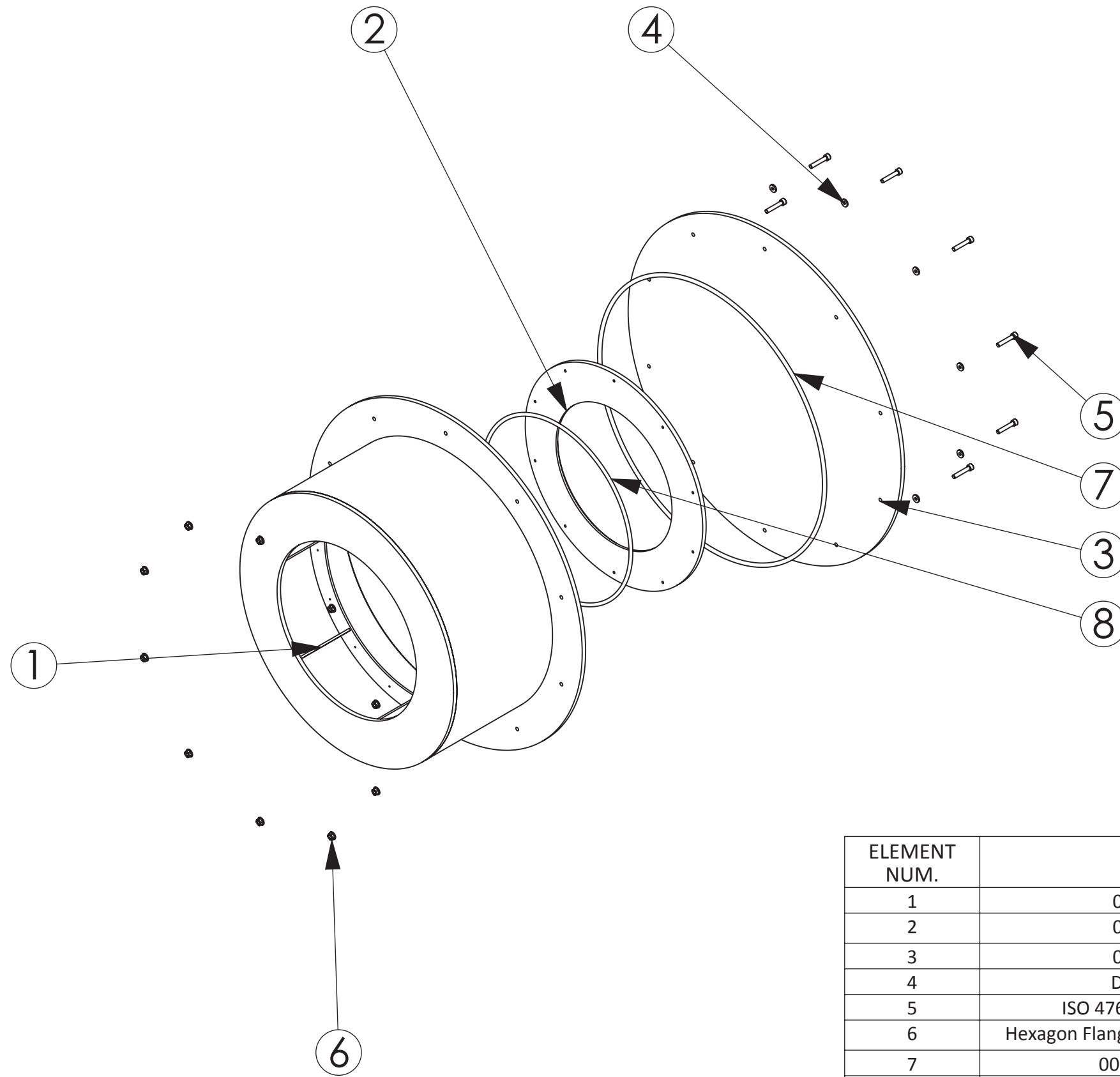


DETALLE D
ESCALA 2 : 1



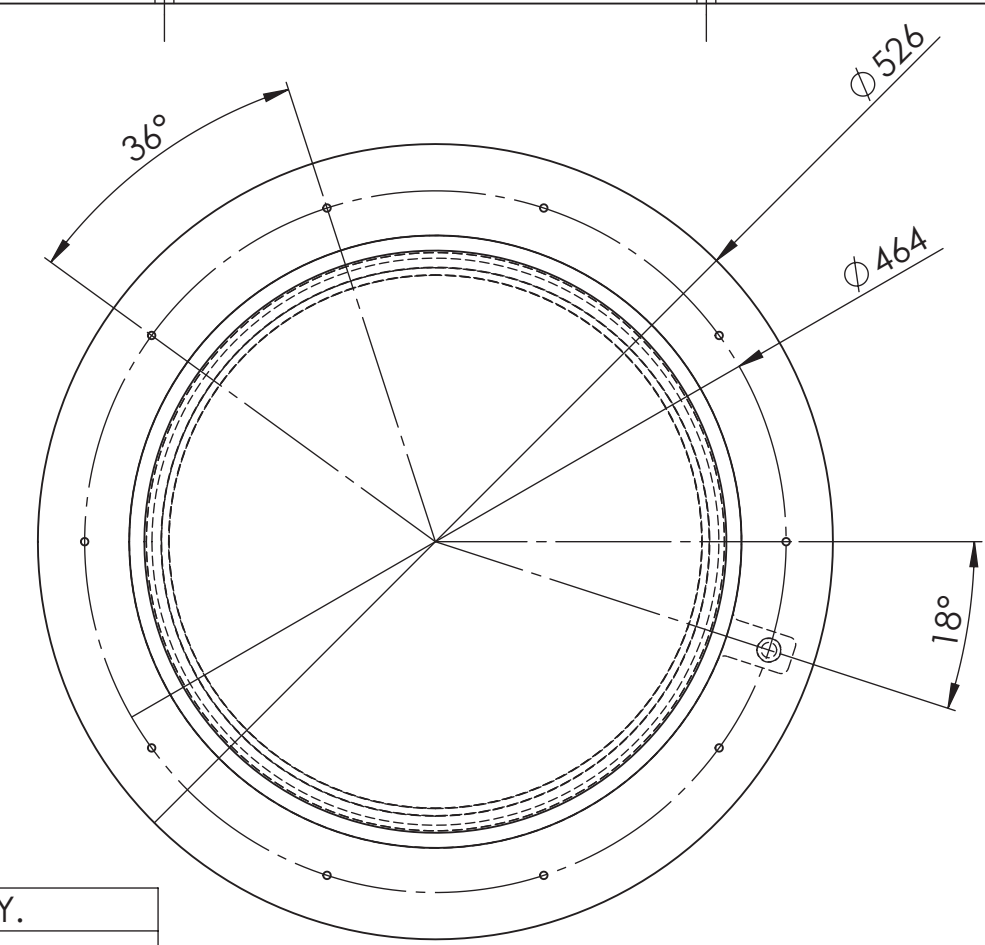
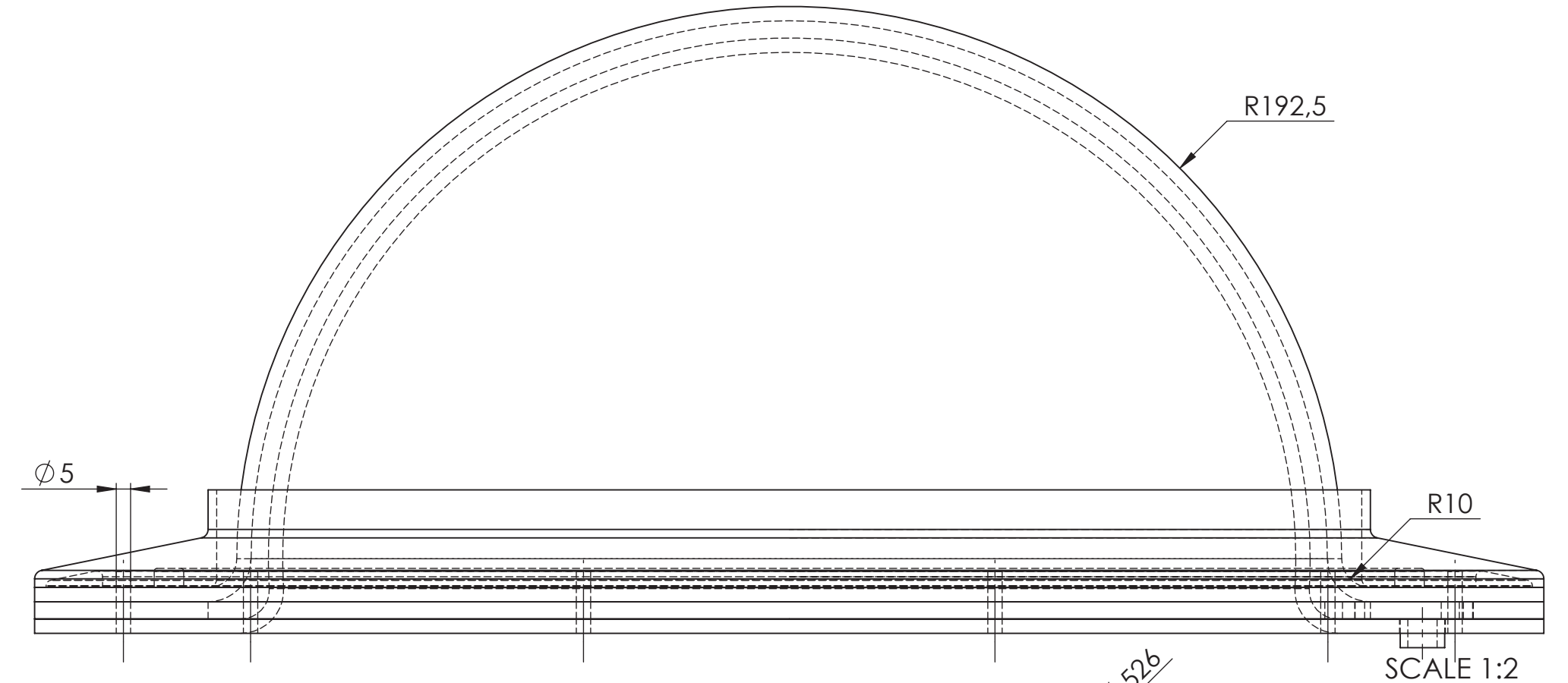
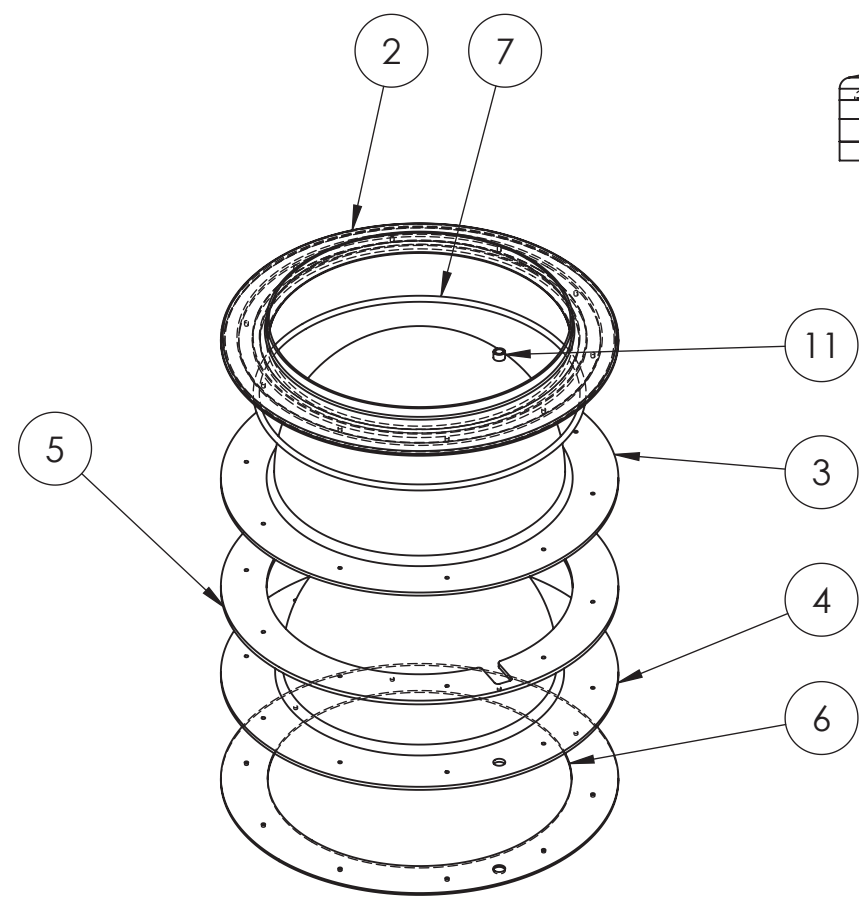
SECCIÓN C-C
ESCALA 1 : 2

	Date	Name	Signature	Material	Aluminum 6082	Observations
Drawn	06.06.2014	David Jiménez		Placement	Little window	
Check				Quantity	3	
Scale	Sheet	Denomination	Code	 UNIVERSITAT POLITÈCNICA DE CATALUNYA BARCELONATECH Escola Tècnica Superior d'Enginyeria Industrial i Aeronàutica de Terrassa		
1:5	A3	Window frame	0002-P-0004			<small>WARNING: THE INFORMATION CONTAINED IN THIS DRAWING IS THE SOLE PROPERTY OF ZERCONINITY SL. ANY REPRODUCTION IN PART OR AS A WHOLE WITHOUT THE WRITTEN PERMISSION OF ZERCONINITY IS PROHIBITED.</small>



ELEMENT NUM.	CODE	DESCRIPTION	QUANTITY
1	0002-P-0049	Pressuzed boil	1
2	0002-P-0050	Boil adapter	1
3	0002-P-0053	Back cover	1
4	DIN 6340-6.4	-	10
5	ISO 4762 M8 x 45 --- 28N	-	10
6	Hexagon Flange Nut DIN 6923 - M8 - N	-	10
7	0002-P-0079 (1)	Joint	1
8	0002-P-0045	Joint	1

	Date	Name	Signature	Material	-	Observations	
Drawn	06.06.2014	David Jiménez		Placement	-		
Check				Quantity	1		
Scale	Sheet	Denomination		Code			
1:10	A3	Boiler assembly		0002-E-0007			



N.º	CODE	DESCRIPTION	QTY.
2	0002-P-0038	FRAME	1
3	0002-P-0041	OUTER WINDOW	1
4	0002-P-0040	INNER WINDOW	1
5	0002-P-0043	SPACER	1
6	0002-P-0044	UNION PLATE	1
7	0002-P-0045	Joint	1
9	DIN 6340-6.4	-	10
10	ISO 4762 M6 x 20 --- 20N	-	10
11	0002-P-0077	ARGON INTAKE INSERT	1

	Date	Name	Signature	Material	-	Observations
Drawn	06.06.2014	David Jiménez		Placement	Average window	
Check				Quantity	1	
Scale	Sheet	Denomination		Code		
1:2	A3	Average window		0002-E-0006		