

Resumen

Importe hipoteca	30.000,00 €	Plazo total	20 años
Valor inmueble	30.000,00 €	Tipo de inmueble	Nuevo
Lugar de residencia	Illes Balears	Edad del menor de los titulares	30 años
Para vivienda habitual	Sí		

Información de la Tasa Anual Equivalente

T.A.E.*	2,93%
---------	-------

Primer periodo

Tipo de interés	1,25%
Plazo	1 años
Cuota mensual	141,34 €

Segundo periodo

Tipo de interés	0,49%
Plazo	19 años
Cuota mensual	131,68 €

Desglose de los gastos

Razón	Gastos de compraventa	Gastos de la hipoteca	Gastos totales
Impuestos	3.360,00 €	604,80 €	3.964,80 €
Notario	485,92 €	638,64 €	1.124,56 €
Registro	265,05 €	210,32 €	475,37 €
Gestoría	285,00 €	285,00 €	570,00 €
Tasación	0,00 €	284,35 €	284,35 €
Total	4.395,97 €	2.023,11 €	6.419,08 €

Cuadro de amortización

Fecha	Saldo vivo	Cuota	Amortización	Intereses
30/06/2016	30.000,00 €	2,08 €	0,00 €	2,08 €
29/07/2016	29.889,91 €	141,34 €	110,09 €	31,25 €
31/08/2016	29.779,71 €	141,34 €	110,20 €	31,14 €
30/09/2016	29.669,39 €	141,34 €	110,32 €	31,02 €
31/10/2016	29.558,96 €	141,34 €	110,43 €	30,91 €
30/11/2016	29.448,41 €	141,34 €	110,55 €	30,79 €
30/12/2016	29.337,75 €	141,34 €	110,66 €	30,68 €
31/01/2017	29.226,97 €	141,34 €	110,78 €	30,56 €

La información que resulta de esta simulación no es personalizada y no sustituye en ningún caso la información precontractual exigible a las entidades financieras y prevista por la legislación y por la normativa vigentes en relación con la transparencia en la prestación de servicios financieros y bancarios y con la protección del cliente de estos servicios. Hay disponible en nuestros establecimientos, en la página web de la entidad y en la del Banco de España, en cualquier momento y de forma gratuita, la Guía de Acceso al Préstamo Hipotecario, elaborada por el Banco de España.

Fecha	Saldo vivo	Cuota	Amortización	Intereses
28/02/2017	29.116,07 €	141,34 €	110,90 €	30,44 €
31/03/2017	29.005,06 €	141,34 €	111,01 €	30,33 €
28/04/2017	28.893,93 €	141,34 €	111,13 €	30,21 €
31/05/2017	28.782,69 €	141,34 €	111,24 €	30,10 €
30/06/2017	28.671,33 €	141,34 €	111,36 €	29,98 €
31/07/2017	28.551,28 €	131,68 €	120,05 €	11,64 €
31/10/2034	2.622,45 €	131,68 €	130,57 €	1,12 €
30/11/2034	2.491,83 €	131,68 €	130,62 €	1,06 €
29/12/2034	2.361,16 €	131,68 €	130,67 €	1,01 €
31/01/2035	2.230,43 €	131,68 €	130,73 €	0,96 €
28/02/2035	2.099,65 €	131,68 €	130,78 €	0,91 €
30/03/2035	1.968,82 €	131,68 €	130,83 €	0,85 €
30/04/2035	1.837,93 €	131,68 €	130,89 €	0,80 €
31/05/2035	1.706,99 €	131,68 €	130,94 €	0,75 €
29/06/2035	1.576,00 €	131,68 €	130,99 €	0,69 €
31/07/2035	1.444,96 €	131,68 €	131,04 €	0,64 €
31/08/2035	1.313,86 €	131,68 €	131,10 €	0,59 €
28/09/2035	1.182,71 €	131,68 €	131,15 €	0,53 €
31/10/2035	1.051,51 €	131,68 €	131,20 €	0,48 €
30/11/2035	920,25 €	131,68 €	131,26 €	0,43 €
31/12/2035	788,94 €	131,68 €	131,31 €	0,37 €
31/01/2036	657,58 €	131,68 €	131,36 €	0,32 €
29/02/2036	526,16 €	131,68 €	131,42 €	0,27 €
31/03/2036	394,69 €	131,68 €	131,47 €	0,21 €
30/04/2036	263,17 €	131,68 €	131,52 €	0,16 €
30/05/2036	131,59 €	131,68 €	131,58 €	0,11 €
30/06/2036	0,00 €	131,68 €	131,63 €	0,05 €

Financiación sujeta a aprobación. Validez hasta el 30/06/2016. TIN primer año 1,25%. Resto de años Euríbor + 0,50% (TIN: 0,487% / TAEVariable: 2,93%) con revisiones anuales. Euríbor (-0,013%), BOE 02/06/2016. TAEVariable calculada bajo la hipótesis de que los índices de referencia no varían. Por tanto, esta TAEVariable variará con las revisiones del tipo de interés. Condiciones: nómina domiciliada superior a 1.500 €, domiciliación de dos recibos, uso de la tarjeta de crédito con 12 operaciones anuales (mantenimiento de 32 € anuales), seguros de hogar y vida CX vinculados al préstamo (seguros contratados a través de CatalunyaCaixa Mediació).

Pólizas contratadas a través de CatalunyaCaixa Mediació, Operador de Banca-Assegurances Vinculat, SL. Inscrito en el Reg. Adm. Esp. del art. 52 de la Ley 26/2006 con el n.º OV-0029. Tiene concertado un seguro de RC. Dispone de capacidad financiera suficiente de acuerdo con la ley mencionada. CIF: B-58812074. Entidad aseguradora de la póliza de vida: CatalunyaCaixa Vida, SA d'Assegurances i Reassegurances. Entidad aseguradora de la póliza de hogar: CatalunyaCaixa Assegurances Generals, SA d'Assegurances i Reassegurances.

Resumen

Importe hipoteca	21.360,00 €	Plazo total	20 años
Valor inmueble	21.360,00 €	Tipo de inmueble	Nuevo
Lugar de residencia	Illes Balears	Edad del menor de los titulares	30 años
Para vivienda habitual	Sí		

Información de la Tasa Anual Equivalente

T.A.E.*	3,79%
---------	-------

Primer periodo

Tipo de interés	1,25%
Plazo	1 años
Cuota mensual	100,63 €

Segundo periodo

Tipo de interés	0,49%
Plazo	19 años
Cuota mensual	93,76 €

Desglose de los gastos

Razón	Gastos de compraventa	Gastos de la hipoteca	Gastos totales
Impuestos	2.392,32 €	430,62 €	2.822,94 €
Notario	485,92 €	638,64 €	1.124,56 €
Registro	265,05 €	210,32 €	475,37 €
Gestoría	285,00 €	285,00 €	570,00 €
Tasación	0,00 €	284,35 €	284,35 €
Total	3.428,29 €	1.848,93 €	5.277,22 €

Cuadro de amortización

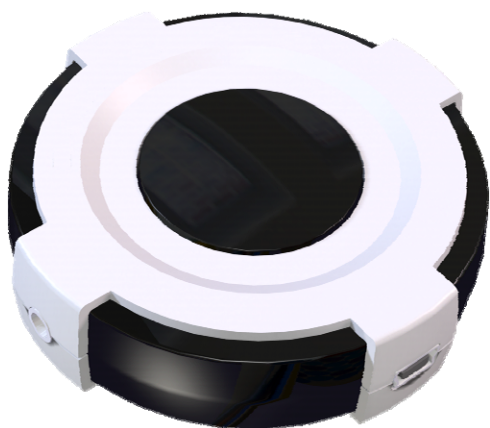
Fecha	Saldo vivo	Cuota	Amortización	Intereses
30/06/2016	21.360,00 €	1,48 €	0,00 €	1,48 €
29/07/2016	21.281,62 €	100,63 €	78,38 €	22,25 €
31/08/2016	21.203,15 €	100,63 €	78,47 €	22,17 €
30/09/2016	21.124,60 €	100,63 €	78,55 €	22,09 €
31/10/2016	21.045,97 €	100,63 €	78,63 €	22,00 €
30/11/2016	20.967,26 €	100,63 €	78,71 €	21,92 €
30/12/2016	20.888,47 €	100,63 €	78,79 €	21,84 €
31/01/2017	20.809,59 €	100,63 €	78,88 €	21,76 €

La información que resulta de esta simulación no es personalizada y no sustituye en ningún caso la información precontractual exigible a las entidades financieras y prevista por la legislación y por la normativa vigentes en relación con la transparencia en la prestación de servicios financieros y bancarios y con la protección del cliente de estos servicios. Hay disponible en nuestros establecimientos, en la página web de la entidad y en la del Banco de España, en cualquier momento y de forma gratuita, la Guía de Acceso al Préstamo Hipotecario, elaborada por el Banco de España.

Fecha	Saldo vivo	Cuota	Amortización	Intereses
28/02/2017	20.730,63 €	100,63 €	78,96 €	21,68 €
31/03/2017	20.651,59 €	100,63 €	79,04 €	21,59 €
28/04/2017	20.572,47 €	100,63 €	79,12 €	21,51 €
31/05/2017	20.493,27 €	100,63 €	79,20 €	21,43 €
30/06/2017	20.413,98 €	100,63 €	79,29 €	21,35 €
31/07/2017	20.328,51 €	93,76 €	85,47 €	8,28 €
31/10/2034	1.867,23 €	93,76 €	92,96 €	0,80 €
30/11/2034	1.774,23 €	93,76 €	93,00 €	0,76 €
29/12/2034	1.681,19 €	93,76 €	93,04 €	0,72 €
31/01/2035	1.588,11 €	93,76 €	93,08 €	0,68 €
28/02/2035	1.495,00 €	93,76 €	93,11 €	0,64 €
30/03/2035	1.401,85 €	93,76 €	93,15 €	0,61 €
30/04/2035	1.308,66 €	93,76 €	93,19 €	0,57 €
31/05/2035	1.215,43 €	93,76 €	93,23 €	0,53 €
29/06/2035	1.122,16 €	93,76 €	93,27 €	0,49 €
31/07/2035	1.028,86 €	93,76 €	93,30 €	0,46 €
31/08/2035	935,52 €	93,76 €	93,34 €	0,42 €
28/09/2035	842,14 €	93,76 €	93,38 €	0,38 €
31/10/2035	748,72 €	93,76 €	93,42 €	0,34 €
30/11/2035	655,26 €	93,76 €	93,46 €	0,30 €
31/12/2035	561,77 €	93,76 €	93,49 €	0,27 €
31/01/2036	468,24 €	93,76 €	93,53 €	0,23 €
29/02/2036	374,67 €	93,76 €	93,57 €	0,19 €
31/03/2036	281,06 €	93,76 €	93,61 €	0,15 €
30/04/2036	187,41 €	93,76 €	93,65 €	0,11 €
30/05/2036	93,73 €	93,76 €	93,68 €	0,08 €
30/06/2036	0,01 €	93,76 €	93,72 €	0,04 €

Financiación sujeta a aprobación. Validez hasta el 30/06/2016. TIN primer año 1,25%. Resto de años Euríbor + 0,50% (TIN: 0,487% / TAEVariable: 3,79%) con revisiones anuales. Euríbor (-0,013%), BOE 02/06/2016. TAEVariable calculada bajo la hipótesis de que los índices de referencia no varían. Por tanto, esta TAEVariable variará con las revisiones del tipo de interés. Condiciones: nómina domiciliada superior a 1.500 €, domiciliación de dos recibos, uso de la tarjeta de crédito con 12 operaciones anuales (mantenimiento de 32 € anuales), seguros de hogar y vida CX vinculados al préstamo (seguros contratados a través de CatalunyaCaixa Mediació).

Pólizas contratadas a través de CatalunyaCaixa Mediació, Operador de Banca-Assegurances Vinculat, SL. Inscrito en el Reg. Adm. Esp. del art. 52 de la Ley 26/2006 con el n.º OV-0029. Tiene concertado un seguro de RC. Dispone de capacidad financiera suficiente de acuerdo con la ley mencionada. CIF: B-58812074. Entidad aseguradora de la póliza de vida: CatalunyaCaixa Vida, SA d'Assegurances i Reassegurances. Entidad aseguradora de la póliza de hogar: CatalunyaCaixa Assegurances Generals, SA d'Assegurances i Reassegurances.



ZXT-120
(Z-Wave-to-AC IR Extender)



Firmware Version: V05

Table of Contents

Introduction	3
Controller and Gateway Requirements	4
Built-in IR code library	4
Glossary	5
ZXT-120 Operations	6
<i>Product Overview</i>	7
<i>Z-Wave Remote Control</i>	8
<i>ZXT-120 Information</i>	9
<i>Listening Mode</i>	10
<i>IR Code Learning</i>	11
<i>Reset ZXT-120 to factory default</i>	13
INSTALLATION	14
<i>MOUNTING THE ZXT-120 TO A WALL</i>	14
WIRELESS INFORMATION	17
MAINTENANCE	17
FREQUENTLY ASKED QUESTIONS	17
<i>Z-Wave Frequently Asked Questions</i>	17
TECHNICAL SPECIFICATIONS	19
CHECKING ACCESSORIES	24
FCC NOTICE	24
WARNINGS	24
CAUTION	24

Z-Extender™ ZXT-120

(Z-Wave-to-AC IR Extender)

Operating Instructions

Introduction

The ZXT-120 is a Z-Wave to air-conditioner (AC) IR Extender (Figure 1) and it works with any Z-Wave compliant gateway or portable controller by translating Z-Wave's Thermostat commands to AC IR control code. User can set the IR code from the built-in code library of ZXT-120 through the configuration commands, or use the learning function of ZXT-120 through the UI on gateway. ZXT-120 also built-in a temperature sensor that allow to report your room temperature to home gateway. It can be utilized to control or monitor your room temperature by your smart phone or PC while you are at office, home anywhere or around the world.

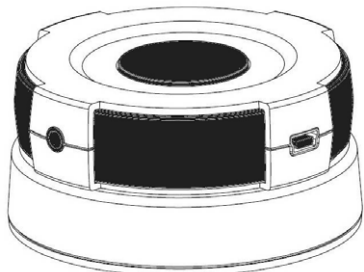


Figure 1 ZXT-120

ZXT-120 can be configured as either “**Frequently Listening Routing Slaves**” (FLiRS) or “**Always Listening**” node after exclusion process.

FLiRS node type is targeted for battery operated applications and it will enter sleep mode frequently in order to conserve battery consumption that can provide the flexibility if there is out of 5Vdc power source. Also, user can place the unit in anywhere at home.

Always Listening node type is targeted for the needs of required a fast response application. The installed location should come with 5Vdc power source. Always Listening node can act as a repeater, which will re-transmit the RF signal to ensure that the signal is received by its intended destination by routing the signal around obstacle and radio dead spots.

ZXT-120 supports Network Wide Inclusion (NWI) and Explore Frames. It also supports Z-Wave networks with multiple gateways and controllers. Like every Z-Wave accessory, user will need to include the

ZXT-120 into their Z-Wave network using the primary controller. Then, the user can use either the primary controller or secondary controller to configure and setup the ZXT-120 using Z-Wave's configuration command class. Once the configuration and setup is complete, the controller can use Z-Wave's "Thermostat commands class" to control their IR-controlled air-conditioner with the ZXT-120.

Controller and Gateway Requirements

The ZXT-120 is architected to work with any Z-Wave compliant controller or gateway supporting the following Z-Wave commands.

- Configuration Command Class
- Multilevel Sensor Command Class
- Sensor Configuration Command Class
- Thermostat Command Class
 - Thermostat Mode Command Class
 - Thermostat Fan Mode Command Class
 - Thermostat Set-point Command Class

Built-in IR code library

The built-in IR code library enables the ZXT-120 to work with any Z-Wave compliant gateway and controller. Gateway and controller will not need to have any knowledge related to IR control code. It also eliminates the needs of complicated set up procedures and proprietary Z-Wave commands to configure the system. The IR code library supports various brand name air conditioners found in the today's market. User can use his controller or gateway to send a 3 digits AC IR code number (include the brand selection) using standard Z-Wave configuration command.

Glossary

Device or Node	Devices and nodes are all terms to describe an individual Z-Wave device. These are all interchangeable when setting up your Z-Wave network.
Inclusion	Add a Z-Wave device to the network.
Exclusion	Delete a Z-Wave device from the network.
Remove	To take a device out of a group, scene or association group while that device still exists in the same Z-Wave network.
Z-Wave Network	A collection of Z-Wave devices is controlled by primary and secondary controllers operating on the same system. A Z-Wave network has its own unique ID code so that controllers not in the network cannot control the system.
Primary Controller	The first controller is used to set up your devices and network. Only the Primary Controller can be used to include or delete devices from a network. It is recommended that you mark the primary controller for each network for ease in modifying your network.
Secondary Controller	A controller containing network information about other devices within the network and is used for controlling devices. Secondary controller is created from the Primary Controller and cannot include or delete devices to the network.
Inclusion Controller	A controller containing network information about other devices within the network and is used for controlling devices. Inclusion controller is created from the Primary Controller in a SIS enabled Z-Wave network. Inclusion Controllers have the ability to add and remove devices from the network.

ZXT-120 Operations

Before using the ZXT-120, please read the [INSTALLATION] if it is needed to mount the ZXT-120 to a wall. Power up the ZXT-120 by the USB Power 5Vdc or Dry battery AAA x 3pcs.

- Plug-in 5Vdc power into the USB socket if operated at Always Listening mode. Or
- Install 3xAAA batteries if operated at FLiRS mode.
- Please refer to the section of [MOUNTING PROCEDURE].
- Remove the battery cover on the back of your ZXT-120 battery chassis.
- Mount the battery cover into the main unit with 2 screws.
- Check the polarity of the batteries and the "+/-" marks inside the battery compartment.
- Insert the batteries.
- Push the battery cover and main unit back in place.

ⓘ CAUTION (battery and power adaptor safety)

- Use new batteries of the recommended type and size only.
- Never mix used and new batteries together.
- To avoid chemical leaks, remove batteries from the ZXT-120 if you do not intend to use the remote for an extended period of time.
- Dispose of used batteries properly; do not burn or bury them.

(Please carefully read through the following then store the manual for future reference.)

Product Overview

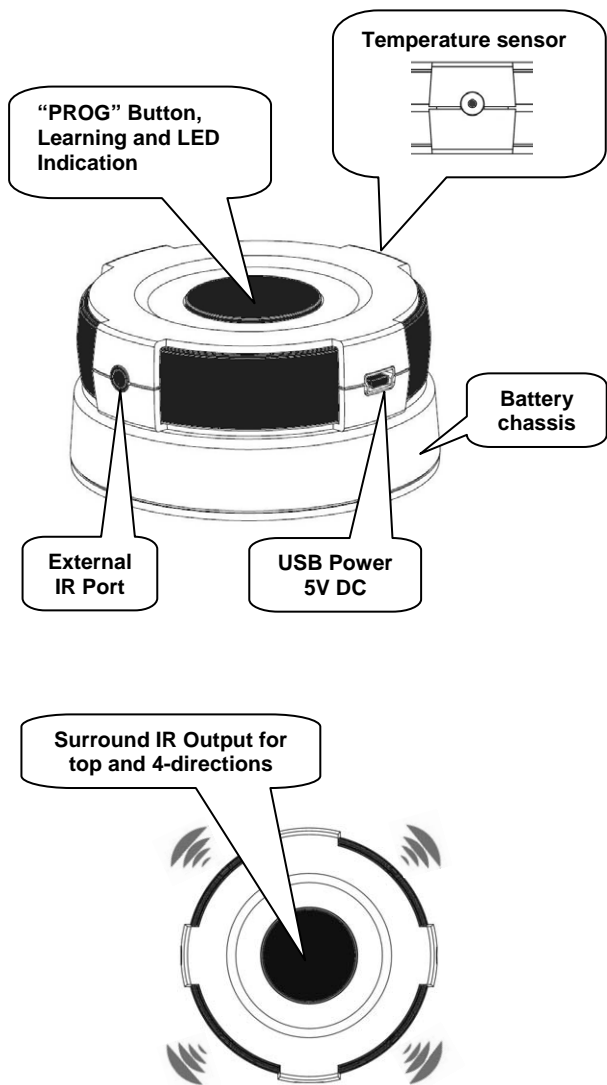


Figure 2 PROG Key and IR Port of ZXT-120

Z-Wave Remote Control

- 1) Select your operation mode; please refer to “Listening Mode” section.
- 2) Include or Exclude the unit from the existing Z-Wave home control network with your primary controller.
 - Refer to your primary controller instructions to process the inclusion / exclusion setup procedure.
 - When prompted by your primary controller, click once on the PROG button.
 - The primary controller should indicate that the action was successful. If the controller indicates the action was unsuccessful, please repeat the procedure.
- 3) User can use either the primary controller or secondary controller (should support configuration command class) to setup the ZXT-120 AC code by the parameter 27 (IR code number for built-in code library), please refer to code list for the parameter value then setup your AC control code.
- 4) Once the configuration and setup were completed, the controller can use Z-Wave’s “Thermostat commands class” to control their IR-controlled air-conditioner with the ZXT-120.
- 5) You can record down your device code under the below table for future reference after setting up the ZXT-120 correctly.

AC device programmed to your ZXT-120
Code no.:

ZXT-120 Information

How to get the NIF “Node Information Frame” on ZXT-120

Step	Setup Key	LED Indication Status on ZXT-120
1	Press the PROG button on the ZXT-120	<ul style="list-style-type: none">LED flashes once then stay off (ZXT-120 will report the supported command class)

Parameter No. and Parameter Value of configuration command

Parameter Number	Definitions	Parameter Value
25 (0x19)	Indicate a location for IR code learning and start learning	1-20 (0x00 – 0x14)
26 (0x1A)	Learning status register Note: The status value 0x01 and 0x04 will be reset to 0 when the ZXT-120 receive a get command to this parameter	0x00 : Idle - this IR channel is idle (default) 0x01 : OK - the latest learning process successful and completed 0x02 : Learning - the ZXT-120 is busy processing previous learning request 0x04 : Failed - the latest learning request failed
27 (0x1B)	IR code number for built-in code library	Refer “Code list” for details
28 (0x1C)	External IR Emitter power level	0x00 : normal power mode 0xFF : high power mode (default)
32 (0x20)	Surround IR control - to avoid the IR interference by disabling the surrounding IR emitter if 2 air-conditioners in a room	0x00 : disable Surround IR Emitters 0xFF : enable Surround IR Emitters (default)

	are used - extend the battery life by disabling the Surround IR Emitters	
33 (0x21)	AC function “SWING” control	0x00: SWING OFF 0x01: SWING AUTO (Default)
34 (0x22)	Indicate a location for transmitting a learnt IR code	1-20 (0x00 – 0x14)

Parameter Table

① Mapping Information

- BASIC Set Value 0x00 will map to Thermostat mode Off 0x00.
- BASIC set Value 0xFF will map to Thermostat mode Resume 0x05.

Listening Mode (default mode is FLiRS)

ZXT-120 can be configured as either “**Frequently Listening Routing Slaves**” (FLiRS) or “**Always Listening**” node after exclusion process.

FLiRS node type is targeted for battery operated applications and it will enter sleep mode frequently in order to conserve battery consumption.

Always Listening node type is targeted for the needs of required a fast response application.

Important:

It is not allow changing ZXT-120 operation mode without the step of exclusion process.

How to switch ZXT-120 listening mode from “Always Listening” to “FLiRS” (or vice verse)

Step	Setup Key	LED Indication Status on ZXT-120
1	Press and hold the PROG button on the ZXT-120 for around 4 seconds	• LED stay off
2	Release the button and then press the PROG	• LED flashes twice then stay off

	button 3 times within 3 seconds	(ZXT-120 set in FLiRS mode) OR <ul style="list-style-type: none"> LED flashes four times then stay off (ZXT-120 set in Always Listening mode)
--	---------------------------------	--

IR Code Learning

User can follow the gateway UI to implement the learning function, the learnt IR code will be stored in a specify control key which contains the Mode, Temperature and Fan Speed information.

Learning example for Key_1:

Mode = COOL

Temperature = 20°C

Fan Speed = HIGH

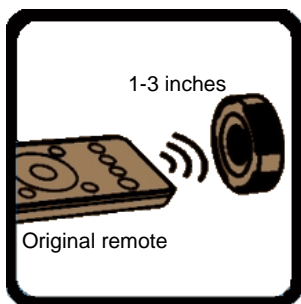


Figure 3 Learning setup

How to learn an IR code on ZXT-120

Step	Setup Key	LED Indication Status on ZXT-120
1	Configuration command class with following parameter number and value are received. Parameter number: 25 Parameter value: 1 – 20	<ul style="list-style-type: none"> LED flashes once

2	Place the ZXT-120 and your device remote as shown below, aimed at each other 1-3 inches apart.	-
3	<p>Press and keep holding the key on your original equipment remote which you want to learn until LED flash and prompt on the screen the learning result, it may take few seconds or more depending on IR codes of your remote.</p> <p>When you encounter problem, check followings:</p> <ul style="list-style-type: none"> ◆ Do not release key on original remote before ZXT-120 return status during learning. ◆ Press the key on original remote before learning mode timeout. ◆ Keep away from incandescent light and direct sunlight during learning. ◆ Make sure IR Transmitter of your original remote align with learning diode of ZXT-120, you may also slight adjust closer or further away the distance of two devices. Some of remotes the IR transmitter in hidden behind lens and may not installed center of remote. ◆ Make sure the power is good on both devices, especially the original remote. Use fresh batteries. 	<ul style="list-style-type: none"> • LED flashes twice and then OFF (learn code success) <p style="text-align: center;">OR</p> <ul style="list-style-type: none"> • LED flashes six times rapidly and then OFF (learn code fail)

Reset ZXT-120 to factory default

Press and hold “PROG” button for 10seconds on ZXT-120. The LED will flash twice until reset process is completed.

Note: This reset step will not affect the operation mode of ZXT-120, user should refer to “Listening Mode” section if you want to change the operation mode.

ⓘ Important Information

- If you are using Gateway or other Z-wave controllers to operate ZXT-120, Please follow the instruction from the gateway or other controller.
- You can check either the specifications in the manual of your ZXT-120 or also check online at www.remotec.com.hk for a full list of products that can be used with your ZXT-120.

INSTALLATION

MOUNTING THE ZXT-120 TO A WALL

MOUNTING LOCATION PRECAUTIONS

- Before mounting, check the material and structure of the mounting location. If the location does not have the proper material or structure, the ZXT-120 can fall and cause injuries.
- Use commercial items that best match the wall structure and material for the screws and other fixtures.
- Do not mount near a kitchen counter, humidifier, or other location in which it can be exposed to smoke or steam. Doing so could cause a fire or electrical shock.
- Do not mount in locations with high humidity or large amounts of dust. Doing so could cause a fire or electrical shock.
- Do not mount to locations subject to high temperatures, high humidity, or exposure to water. Doing so could cause a fire or electrical shock.
- Do not mount to locations subject to large amounts of vibration, large jolts, or large forces. These could cause an injury if the ZXT-120 falls and breaks.

MOUNTING PROCEDURE PRECAUTIONS

- Do not modify parts or use the ZXT-120 in ways other than its intended use. Doing so could cause the ZXT-120 to fall and result in an injury.
- Be sure to fully check that there are no electrical wires or pipes inside the wall before mounting.
- If any of the screws are loose, the ZXT-120 can fall and cause an injury. Do not mount the ZXT-120 with the screws still loose.
- Check that the two screws mounted to the wall are fully inserted into the key holes of the ZXT-120. Otherwise, the ZXT-120 can fall and cause an injury.
- Do not mount the ZXT-120 so that it sticks out from the wall edge. It could get hit by people's bodies or objects and cause an injury.
- Supplier will not be liable for any accidents or injuries that occur due to improper mounting or handling.
- When mounting, be careful not to get your fingers pinched or injure your hands.

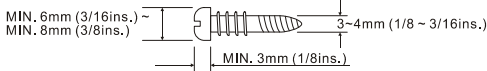
MOUNTING PROCEDURE

The ZXT-120 can be mounted to a wall or wooden racks using the two key holes in the bottom case.

Note 1: The reception sensitivity varies depending on the antenna direction.

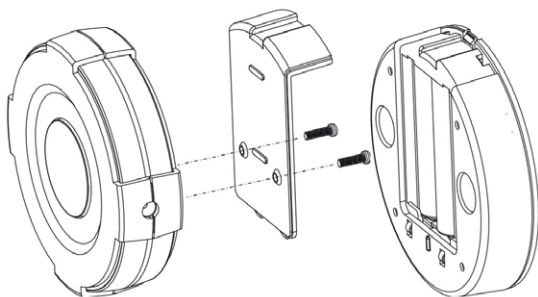
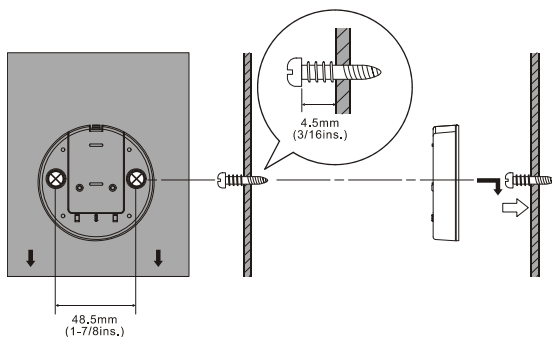
Note 2: Before mounting to a wall, be sure to fully read the precautions.

1. Obtain two screws suitable for the wall strength and material. The screw size is shown in the figure below.



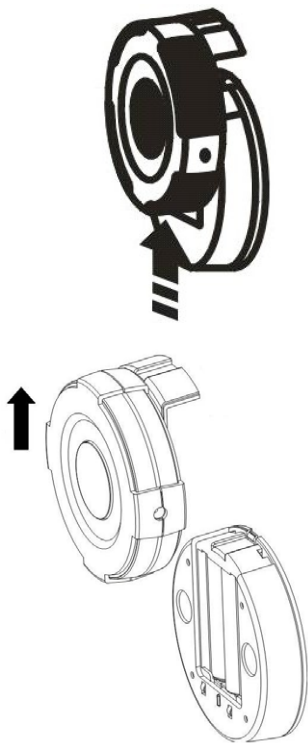
2. The positional relationship between the ZXT-120 key holes and the screw mounting positions are shown in the figure below.

Note 1: When mounting the screws to the wall, leave a space between the wall and screw cap as shown in the figure.



3. Insert the ZXT-120 key holes onto the two screws mounted to the wall, and then slide downward to secure in place.
4. After securing the ZXT-120 to the wall, connect the USB Power or batteries and IR emitter cable to the ZXT-120.
Note 1: Check that the ZXT-120 is firmly secured to the wall.
Note 2: Insert USB plug or batteries and IR emitter cable so that they are firmly connected to the ZXT-120.

5. When removing the ZXT-120 from the wall, lift up the ZXT-120, then pull it towards you.
6. Detach the main unit from the battery chassis by move toward to top position.



WIRELESS INFORMATION

Wireless range:

This device has an open-air line-of-sight transmission distance of 100 feet which complies with the Z-Wave standards. Performance can vary depending on the amount of objects in between Z-Wave devices such as walls and furniture. Every Z-Wave device set up in your network will act as a signal repeater allowing devices to talk to each other and find alternate routes in the case of a reception dead spot.

Radio frequency limitations:

1. Each wall or object (i.e.: refrigerator, bookshelf, large TV, etc) can reduce the maximum range of 65 feet by up to 25 to 30%.
2. Plasterboard and wooden walls block less of the radio signal than concrete, brick or tile walls which will have more of an effect on signal strength.
3. Wall mounted Z-Wave devices will also suffer a loss of range if they are housed in metal junction boxes which could also reduce the range by up to 25 to 30%.

MAINTENANCE

- 1 Do not expose your ZXT-120 to dust, strong sunlight, humidity, high temperatures or mechanical shocks.
- 2 Do not use old and new batteries together as old batteries tend to leak.
- 3 Do not use corrosive or abrasive cleansers on your ZXT-120.
- 4 Keep the unit dust free by wiping it with a soft, dry cloth.
- 5 Do not disassemble your ZXT-120, it contains no user-serviceable parts.

FREQUENTLY ASKED QUESTIONS

Z-Wave Frequently Asked Questions

Q Why won't my ZXT-120 work with the Z-Wave devices I purchased from another country?

- A Due to different countries regulations Z-Wave products from different regions are set to different frequencies. Before purchasing new devices make sure you have checked that the device is compatible in your region.

Q How do I know which product is compatible with my ZXT-120?

- A ZXT-120 should work with any Z-Wave controller or gateway that has control capability for "Thermostat" devices. You can check either the specifications in the manual of your ZXT-120 or also check online at www.remotec.com.hk for a full list of products that can be used with your ZXT-120. All Z-Wave products also come with the Z-Wave logo.



Q Can I use the USB port to configure ZXT-120?

A No, the mini USB port only provides an alternative option for user to power the ZXT-120.

Q Do I need an electrician to install Z-Wave products in my house?

A Installation can be simple. In some cases all you need to do is mount the ZXT-120 to a wall or wooden racks. You also can place the ZXT-120 on the desk and power it with dry cell batteries.

Q How to select my air-conditioner IR code from ZXT-120?

A You should refer to the code list and look into the brand and try the code no. sequentially until you find the right code. You can record down your device code under the table for future reference after setting up the ZXT-120 correctly.

Q ZXT-120 is working on top and 4-directions IR output, but there is no response on the IR emitter socket, why?

A ZXT-120 supports two IR power levels for the external IR emitter to avoid saturation of the IR receiver. You can set the IR output power level by the Parameter Table value (normal or high power mode) or adjust the position of your external IR emitter.

Q Can I use 2 or more ZXT-120 in my house? What is the max. units if yes?

A Yes and it is very depend on the capability of gateway / controller. For example, gateway can supports up to 8, 16 or 32 ZXT-120 in a network.

Q How to avoid the IR interference if I am using 2 identical air-conditioners in same location but want to control them individually?

A User can disable the Surround IR Output function, connect the external IR emitter and aim it at the specific AC unit. The operating distance of external IR emitter is around 100cm (High power mode) and 50cm (Low power mode) but it is also depends on the sensitivity of the IR receiver.



External IR emitter cable

Q Where can I keep up to date with the latest Z-Wave products for my house?

A You can keep up to date by visiting the www.remotec.com.hk website where we will have information and ideas for using Z-Wave technology.

TECHNICAL SPECIFICATIONS

Model no.	BW8377EU (ZXT-120EU) BW8377AU (ZXT-120AU) BW8377US (ZXT-120US) BW8377IN (ZXT-120IN)
RF frequency	868.4MHz (EU) (ZXT-120EU) 921.4MHz (AU) (ZXT-120AU) 908.4MHz (US) (ZXT-120US) 865.22MHz (IN) (ZXT-120IN)
RF operating distance	up to 80ft outdoor line of sight, in unobstructed environment
IR operating distance	up to 25ft line of sight, in unobstructed environment
IR learning	Max. 20 commands
Temperature	Measurable range: 32 – 104 °F / 0 – 40 °C Operation: 0 - 40°C Storage: -20 - 60°C
Powered by	USB Power DC 5V 100mA or Dry battery AAA x 3pcs
Dimension	Dia.=70mm, T = 18mm (Main unit) Dia.=70mm, T = 15.5mm (Battery chassis)
Weight	35g (Battery chassis excluded) 60g (Battery chassis included) 90g (Main + Battery chassis + AAA x3pcs)

Z-Wave device type

Basic Device Class: BASIC_TYPE_ROUTING_SLAVE

Generic Device Class: GENERIC_TYPE_THERMOSTAT

Specific Device Class: SPECIFIC_TYPE_THERMOSTAT_GENERAL_V2

Z-Wave Command Class	Version	Controlled	Supported
COMMAND_CLASS_THERMOSTAT_MODE	Version2	NO	YES
COMMAND_CLASS_THERMOSTAT_SETPOINT	Version2	NO	YES
COMMAND_CLASS_THERMOSTAT_FAN_MODE	Version2	NO	YES
COMMAND_CLASS_BATTERY	Version1	NO	YES
COMMAND_CLASS_CONFIGURATION	Version1	NO	YES

COMMAND_CLASS_BASIC	Version1	NO	YES
COMMAND_CLASS_VERSION	Version1	NO	YES
COMMAND_CLASS_SENSOR_MULTILEVEL	Version1	NO	YES
COMMAND_CLASS_SWITCH_ALL	Version1	NO	YES
COMMAND_CLASS_MANUFACTURER_SPECIFIC	Version1	NO	YES

Supported function in Thermostat Command Class

Z-Wave command class	Description	Supported
Thermostat Fan mode	Auto/Auto Low	YES
	Low	YES
	Auto High	YES
	High	YES
	Auto Medium	YES
	Medium	YES
Thermostat Set point	Heating	YES
	Cooling	YES
	Furnace	NO
	Dry Air	YES
	Moist Air	NO
	Auto changeover	YES
	Energy Save heating	NO
	Energy Save cooling	NO
	Away heating	NO
Thermostat Mode	Off	YES
	Heat	YES
	Cool	YES
	Auto	YES
	Auxiliary/Emergency Heat	NO
	Resume	YES
	Fan only	YES
	Furnace	NO
	Dry Air	YES
	Moist Air	NO
	Auto Changeover	NO

	Energy Save Heat	NO
	Energy Save Cool	NO
	AWAY	NO

ZXT-120 functions and Parameters summaries:

FUNCTIONS	AIR CONDITIONER FUNCTION	Z-WAVE COMMAND CLASS	Z-WAVE COMMAND	COMMAND PARAMETER
POWER	POWER ON	COMMAND_CLASS_THERMOSTAT_MODE	THERMOSTAT_MODE_SET	MODE = 5
		COMMAND_CLASS_BASIC	BASIC_SET	VALUE = 0xFF
	POWER OFF	COMMAND_CLASS_THERMOSTAT_MODE	THERMOSTAT_MODE_SET	MODE = 0
		COMMAND_CLASS_BASIC	BASIC_SET	VALUE = 0x00
MODE	AUTO	COMMAND_CLASS_THERMOSTAT_MODE	THERMOSTAT_MODE_SET	MODE = 3
	COOL	COMMAND_CLASS_THERMOSTAT_MODE	THERMOSTAT_MODE_SET	MODE = 2
	FAN	COMMAND_CLASS_THERMOSTAT_MODE	THERMOSTAT_MODE_SET	MODE = 6
	HEAT	COMMAND_CLASS_THERMOSTAT_MODE	THERMOSTAT_MODE_SET	MODE = 1
	DRY	COMMAND_CLASS_THERMOSTAT_MODE	THERMOSTAT_MODE_SET	MODE = 8
TEMPERATURE SETTING	HEAT mode Temperature	COMMAND_CLASS_THERMOSTAT_SETPOINT	THERMOSTAT_SETPOINT_SET	SETPOINT TYPE = 1, TEMPERATURE VALUE
	COOL mode Temperature			SETPOINT TYPE = 2, TEMPERATURE VALUE
	DRY mode Temperature			SETPOINT TYPE = 8, TEMPERATURE VALUE
	AUTO mode Temperature			SETPOINT TYPE = 10, TEMPERATURE VALUE
FAN SPEED	FAN AUTO	COMMAND_CLASS_THERMOSTAT_FAN_MODE, v1	THERMOSTAT_FAN_MODE_SET	FAN MODE = 0
		COMMAND_CLASS_THERMOSTAT_FAN_MODE, v2	THERMOSTAT_FAN_MODE_SET	FAN MODE = 0, 2, or 4
	FAN LOW (1/3)	COMMAND_CLASS_THERMOSTAT_FAN_MODE, v1	THERMOSTAT_FAN_MODE_SET	FAN MODE = 1
		COMMAND_CLASS_THERMOSTAT_FAN_MODE, v2	THERMOSTAT_FAN_MODE_SET	FAN MODE = 1
	FAN MID (2/3)	-	-	-

		COMMAND_CLASS_THERMOSTAT_FAN_MODE, v2	THERMOSTAT_FAN_MODE_SET	FAN MODE = 5
	FAN HIGH (3/3)	COMMAND_CLASS_THERMOSTAT_FAN_MODE, v1	THERMOSTAT_FAN_MODE_SET	FAN MODE = 3
		COMMAND_CLASS_THERMOSTAT_FAN_MODE, v2	THERMOSTAT_FAN_MODE_SET	FAN MODE = 3
SWING	SWING ON/ SWING AUTO	COMMAND_CLASS_CONFIGURATION	CONFIGURATION_SET	PARAMETER NO. = 33
				SIZE = 1
				VALUE = 1
	SWING OFF	COMMAND_CLASS_CONFIGURATION	CONFIGURATION_SET	PARAMETER NO. = 33
			SIZE = 1,	
			VALUE = 0	
IR CODE SETUP		COMMAND_CLASS_CONFIGURATION	CONFIGURATION_SET	PARAMETER NO. = 27
				SIZE = 2,
				VALUE = (CODE#)
IR TRANSMISSION POWER LEVEL	NORMAL POWER LEVEL	COMMAND_CLASS_CONFIGURATION	CONFIGURATION_SET	PARAMETER NO. = 28
				SIZE = 1,
				VALUE = 0
	HIGH POWER LEVEL	COMMAND_CLASS_CONFIGURATION	CONFIGURATION_SET	PARAMETER NO. = 28
				SIZE = 1,
				VALUE = 0xFF
FRONT IR TRANSMISSION CONTROL	DISABLE	COMMAND_CLASS_CONFIGURATION	CONFIGURATION_SET	PARAMETER NO. = 32
				SIZE = 1,
				VALUE = 0
	ENABLE	COMMAND_CLASS_CONFIGURATION	CONFIGURATION_SET	PARAMETER NO. = 32
				SIZE = 1,
				VALUE = 0xFF
BATTERY LEVEL		COMMAND_CLASS_BATTERY	BATTERY_GET	

VERSION		COMMAND_CLASS_VERSION	VERSION_GET	
MANUFER		COMMAND_CLASS_MANUFACTURER_SPECIFIC	MANUFACTURER_SPECIFIC_GET	
SPECIFIC				
TEMPERATURE SENSOR		COMMAND_CLASS_SENSOR_MULTILEVEL	SENSOR_MULTILEVEL_GET	

CHECKING ACCESSORIES

After opening the cover of the packing box, check that the following accessories are included.

- ZXT-120 (Z-Wave-to-AC IR Extender)
- Screws (bottom cover) x 2pcs
- ZXT-120 User Manual (download from our website)
- AC Code List (download from our website)

FCC NOTICE

This device complies with Part 15 of the FCC rules. Operation is subject to the following two conditions:

- (1) this device may not cause harmful interference, and
- (2) this device must accept any interference received, including interference that may cause undesired operation.

WARNINGS

Changes or modifications not expressly approved by the party responsible for compliance could void the user's authority to operate the equipment.

- **RISK OF FIRE**
- **RISK OF ELECTRICAL SHOCK**
- **RISK OF BURNS**
- **The socket-outlet shall be installed near the equipment and shall be easily accessible.**
- **Use only power supplies listed in the user instructions.**

Do not dispose of electrical appliances as unsorted municipal waste, use separate collection facilities. Contact your local government for information regarding the collection systems available.

CAUTION

- **RISK OF EXPLOSION IF BATTERY IS REPLACED BY AN INCORRECT TYPE.**
- **DISPOSE OF USED BATTERIES ACCORDING TO THE INSTRUCTIONS.**

www.remotec.com.hk

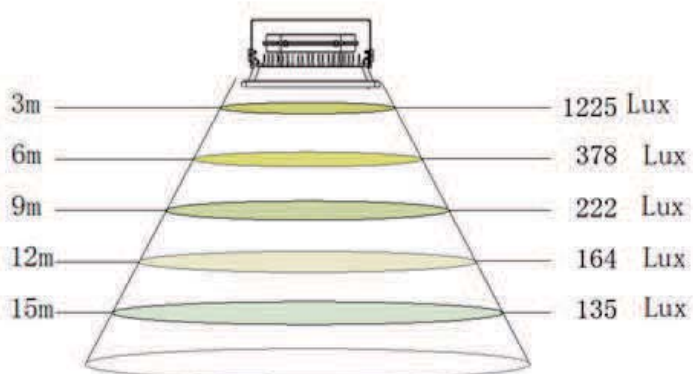
PROYECTOR 400W - SMD

BB-LF-400W-SMD

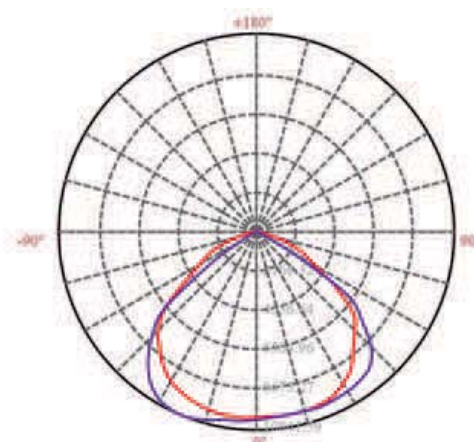


Tipo de LED:	SMD3030	Ángulo apertura	120°
Potencia	400W	Vida útil	≥ 50000 horas
Factor potencia	>0.9	Material/Color	Aluminio gris/negro
Input voltage (V)	85~265V AC	Humedad	5~95% R.H.
CRI	≥80	Temperatura ambiente	-20~55°C
Eficiencia	≥85%	Garantía	2 años
Frecuencia	47~63Hz	C.C.T.	5500 K
Lúmenes W/Total	85/34000	IP	65

Diagrama de iluminación



Curva de distribución





Pida a su instalador

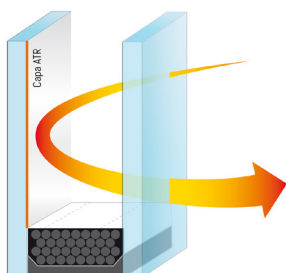
SGG CLIMALIT PLUS®

con PLANITHERM / PLANISTAR ONE



Exterior

0°



Interior

20°



Doble acristalamiento CLIMALIT PLUS con un vidrio de última generación de aislamiento térmico reforzado (PLANITHERM o PLANISTAR ONE) y un vidrio PLANILUX, separados por una cámara de aire, correctamente instalado en su marco de ventana de aluminio, PVB o madera.



Confort Térmico

CLIMALIT PLUS contiene PLANITHERM o PLANISTAR ONE, cristales de aislamiento térmico reforzado que le ofrecen confort térmico y ahorro energético.

Se recomienda un espesor de cámara entre 12 y 16 mm para aprovechar el máximo aislamiento que puede ofrecer CLIMALIT PLUS en su ventana.

Transmitancia térmica del vidrio: $U = 1,0 - 2,6 \text{ W/m}^2\text{K}$



Confort Acústico

Usted no ha seleccionado confort acústico.

Para mejorar la protección frente al ruido exterior, puede incorporar un cristal especial contra el ruido STADIP SILENCE, obteniendo de esta forma un CLIMALIT con STADIP SILENCE para su ventana.

Atenuación acústica: 30 - 37 dB



Seguridad

Usted no ha seleccionado seguridad en este nivel.

Si quiere mejorar la seguridad de sus ventanas instale CLIMALIT con un cristal de seguridad STADIP.

Nivel de seguridad de uso: EN 12600
Nivel de seguridad antiagresión: EN 356



Desarrollo sostenible

Los cristales CLIMALIT PLUS permiten:

- Un excelente aislamiento térmico que contribuye al ahorro energético en el edificio y, por tanto, a la reducción de emisiones de CO₂.
- Un aislamiento acústico eficaz que permite reducir el paso del ruido. La contaminación ambiental es cada vez más agresiva en los entornos urbanos y sus consecuencias para la salud pueden ser muy perjudiciales.

CLIMALIT PLUS contribuye al ahorro de energía y al confort en el hogar.

www.climalizate.es

Gracias a CLIMALIT PLUS y la campaña CLIMALÍZATE podrá ganar un viaje para dos personas al clima de sus sueños.

Participar es muy fácil, sólo tiene que rellenar el formulario e introducir el número que aparece en las pegatinas de sus ventanas con CLIMALIT PLUS.

Cuanto más etiquetas introduzcas, más posibilidades de ganar.



SGG CLIMALIT®

Para más información, póngase en contacto con su instalador más cercano.
Todos los instaladores trabajan con SGG CLIMALIT, marca líder en el mercado.

SAINT-GOBAIN

Proyector Led 150W IP65

11000l

Brand:

Product Code: prj150w6000k

Availability: Disponible

157,18€

Description:

Proyector Led 150w IP65 Exterior 11000lm 6000k

Proyector exterior IP65 150 wattios de potencia Blanco Puro 6000k.

Los nos aportan mucha mas claridad y eficiencia en comparación a los **Proyectores de Halogenuro** tradicionales.

Es importante elegir correctamente la , dependiendo del tipo de **Ambiente Led** que deseamos instalar.

El que nos proporciona en comparación a la **iluminación** tradicional o **Proyectores de Halogenuro Metálico** es hasta un 70% en **ahorro** en consumo eléctrico.

Consulte Nuestra Tabla de

Grado de de este artículo para su instalación en **Exterior IP65 o IP66.**

Consulte nuestro si desea aprender más sobre

Si tiene cualquier duda, puede y nuestro departamento **Técnico / Comercial** para atenderle, también le recordamos que puede enviarnos fotos por **WhatsApp** o **Correo Electrónico** de lo que tiene actualmente instalado y le podremos recomendar con certeza cual es el producto que mas se puede adaptar a sus necesidades.

Si desea, puede Seguirnos en nuestras cuentas oficiales de , y . **#Fabricaled**





Data sheet:

- Código Producto:: prj150w6000k

- Potencia:: 150w
- Voltaje de Entrada:: 220v
- Medidas Exteriores: : 292 X 292 X 100 MM
- Grado de Protección IP:: IP65 Uso Exterior
- Difusor:: Transparente
- Tipo de Led:: COB
- Temperatura de Color:: 6000k Blanco
- Temperatura de Trabajo:: -20º / +40º
- Índice Rendimiento Cromático (CRI):: 80
- Ángulo Apertura de Enfoque:: 120º
- Lumens:: 11000lm
- Material:: Aluminio
- Vida Útil:: 30.000 - 50.000 Horas
- Certificaciones:: CE - RoHS
- Garantía del Producto:: 2 años





Ampliar

Foco Proyector LED Blanco 80W



Referencia: CB2903

Ahorro anual: 125,31€ (encendido 2h./día)

[Calcula tu ahorro](#)

Foco Proyector Led sustituye Helépolis de 250 w

Disponibilidad: 50 ut. en almacén - FECHA DE ENVÍO SI COMPRAS AHORA: martes 25-Junio

195,25 € 134,75 €

COMPRAR

Garantía

- Por favor, selección -

Imagen 300°



RoHS



1300lm

GARANTÍA
5
AÑOS

Información adicional

Detalles

Recomendados

Consumo (Potencia)	80W	Tipo de casquillo	No
Ángulo de apertura	120	Luminosidad (lúmenes)	6900
Temperatura Luz	6000K LUZ BLANCO FRÍO	IP	IP66
Tensión	AC85-264V	Peso (Kg.)	6,5
Color	Blanco Frío	Construcción	Aluminio
Nº y tipo de LEDs	COB - BRIDGELUX 45mil	CRI	>75



Buscar_

Tu cuenta

Carrito (vacío)

BOMBILLAS LED TUBOS LED MODULOS Y TIRAS LED DOWNLIGHTS LED FOCOS LED
PANELES LED INDUSTRIAL Y VIAL LED LED DE CARRIL COMPONENTES LED OUTLET

Inicio > TUBOS LED > TUBO DE LED 2G11 > TUBO LED 2G11 15W 410mm BLANCO CALIDO

Potencia: **15w** Luminosidad: **1350Lm** Angulo: **180°**



Longitud **410 mm** **3000 K**

CE y ROHS 2 AÑOS DE GARANTIA 

SMD TUBO LED 2G11 15W 410MM BLANCO CALIDO

Tubo LED 2G11:

Usada como sustituta de las bombillas de bajo consumo y fluorescentes con base 2G11. Ahorrando más de un 60% respecto de las luminarias tradicionales.

Referencia: 1083

Cantidad:

Disponibilidad: MATERIAL EN STOCK

13,90 €

[COMPRAR](#)



más

TUBO LED 2G11 15W SMD2835 410mm

Fabricada con LED SMD2835 de alto brillo, driver interno con un factor de potencia mayor de 0.9 y un ángulo de apertura de 180°, consiguiendo una iluminación amplia y homogénea. Ideales para sustituir las 2G11 tradicionales y con una ganacia de un 10% en luminosidad.

- Cubierta:** Blanca
- Potencia :** 15W
- Tipo LED:** SMD2835
- Material:** Aluminio y PC
- Numero LED:** 78pcs
- Temp. Color:** 3000-3500K
- Luminosidad:** 1350Lm
- CRI:** >80
- Angulo :** 180°
- Voltaje:** AC85-265V
- Factor de potencia:** > 0.90
- Medidas:** Φ38*410mm
- Vida util:** 50,000 Horas
- Garantía:** 2 años

Compartir en Facebook
Enviar a un amigo
Imprimir

LOS CLIENTES QUE COMPRARON ESTE PRODUCTO TAMBIÉN HAN COMPRADO...

 5w 480Lm 160° R50 E14 3000 K	 10w 1000Lm 360° 118mm 3000 K	 12w 1100Lm 180° E27 3000 K
BOMBILLA LED... 4,80 €	BOMBILLA LED... 13,90 €	BOMBILLA LED... 5,90 €

7 OTROS PRODUCTOS DE LA MISMA CATEGORÍA:

 8w 720Lm 180° 225mm 3000 K	 8w 720Lm 180° 225mm 6000 K	 12w 1100Lm 180° 320mm 6000 K	 12w 1100Lm 180° 320mm 3000 K	 15w 1350Lm 180° 410mm 6000 K
--	--	---	--	--

tubo led 2g11 15w

TUBO LED... TUBO LED... TUBO LED... TUBO LED... TUBO LED...

9,90 € 9,90 € 11,90 € 11,90 € 13,90 €



TUBO LED...

15,90 €



TUBO LED...

15,90 €



ETIQUETAS

LED BOMBILLA LED
 E27 TUBO LED 12W
 TUBOS LED VINTAGE
 DOWNLIGHT LED
 DOWNLIGHT 30W

MEJORES VENTAS

- 1  **DOWNLIGHT LED SLIM ECO 18W REDONDO FRIO 9,90 €**
 - 2  **TUBO LED T8 120CM 20W 1950Lm CABEZA FIJA BLANCO FRIO 9,90 €**
 - 3  **TUBO LED T8 150CM 22W 2300Lm CABEZA FIJA FRIO 11,90 €**
 - 4  **SOCKET GU10 0,50 €**
 - 5  **TUBO LED T8 60CM 9W CABEZA FIJA BLANCO FRIO 6,60 €**
- » LOS PRODUCTOS MÁS VENDIDOS





PROMOCIONES ESPECIALES

Potencia	Luminosidad	Altura	
24w	2040lm	120'	
			DOWNLIGHT LED SLIM ECO 24W CUADRADO FRIO
<small>EMPOTRAR 6000</small>			23,90 €
			19,90 €

» Todas las promociones especiales

NOVEDADES

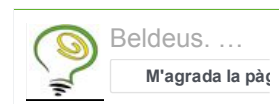
Potencia	Luminosidad	Altura	
5w	400lm	360'	
			BOMBILLA... BOMBILLA LED W5W: Son ideales para...
<small>T10 CANBUS NO EXPOS 6000</small>			
			» Todas las novedades

Potencia	Luminosidad	Altura	
4w	320lm	360'	
			BOMBILLA... BOMBILLA LED W5W: Son ideales para...
<small>T10 CANBUS NO EXPOS 6000</small>			

Potencia	Luminosidad	Altura	
2w	180lm	360'	
			BOMBILLA... BOMBILLA LED W5W: Son ideales para...
<small>T10 CANBUS NO EXPOS 6000</small>			

Potencia	Luminosidad	Altura	
2w	180lm	360'	
			BOMBILLA... BOMBILLA LED W5W: Son ideales para...
<small>T10 CANBUS NO EXPOS 6000</small>			

Potencia	Luminosidad	Altura	
4w	320lm	180'	
			BOMBILLA... BOMBILLA LED C5W: Son ideales para...
<small>CANBUS NO EXPOS 42mm FESTOON C5W 6000</small>			



MI CUENTA

Mis pedidos
 Mi mercancía devuelta
 Mis vales
 Mis direcciones
 Mis datos personales
 Mis vales de descuento
 Programa de patrocinio
 Mis alertas

INFORMATION

Envíos
 Condiciones generales
 Sobre nosotros
 Forma de pago
 Privacidad y protección de datos
 Garantía y devolución
 Sitemap

BELDEUS ONLINE

Beldeus.com
 Tel.: 674.91.15.24
 Email tienda@beldeus.com
 Lunes a Viernes de:
 9.00 a 14.00 y de 16.00 a
 19.00

BELDEUS PONTEVEDRA

Rúa San Antoniño 11 -
 Pontevedra
 Tel.: 886.31.18.72
 Email pontevedra@beldeus.com
 Lunes a Viernes de:
 9.00 a 14.00 y de 17.00 a
 20.30

BELDEUS VIGO

C/ Eugenio Arbones 10 36210
 - Vigo
 Tel.: 986.16.79.74
 Email vigo@beldeus.com
 Lunes a Viernes de:
 9.00 a 14.00 y de 16.00 a
 19.00

Beldeus Tienda para comprar bombillas LED, tubos LED, downlights LED, tiras LED con sus accesorios, modulos LED, LEDS de carril, paneles LED, también iluminación industrial y vial de LED, sensores de movimiento, accesorios LED y componentes LED.

En bombillas LED tenemos bombillas LED E14, bombillas LED E27, dicroicas LED GU10, bipin G4 LED, G9 LED, G24 LED, R7S LED, AR111 G53 LED. En tubos LED trabajamos tubos de LED con conexión T8 tanto normales como tubos LED con detector de movimiento, tubos led estancos, tubos LED especiales para alimentación, tubos LED 2G11 tubos LED circulares o de cocina. En cuanto a los Downlight LED, la familia por excelencia son los downlight slim LED ya que al ser finos se pueden instalar en prácticamente cualquier sitio y si por cualquier motivo resulta imposible está la opción de los downlights LED de superficie. Dentro de la familia de Focos LED los más utilizados son los focos LED de exterior, aunque también tenemos focos led con detector de movimiento, focos LED rgb, focos LED portátiles. También tenemos una amplia gama de tiras LED. Los paneles LED son muy versátiles a la hora de sustituir pantallas con tubos fluorescentes, mientras que los LED de carril son idóneos para la iluminación de los escaparates de los comercios. Para hacer más eficiente cualquier luminaria LED no dudes en utilizar los sensores de movimiento para que estén encendidas sólo cuando lo necesitas.

BOMBILLAS LED TUBOS LED MODULOS Y TIRAS LED DOWNLIGHTS LED FOCOS LED
 PANELES LED INDUSTRIAL Y VIAL LED LED DE CARRIL COMPONENTES LED OUTLET

Inicio > TUBOS LED > TUBO DE LED T8 > TUBO LED T8 120CM 20W 1950Lm CABEZA FIJA BLANCO FRIO



Compartir en Facebook
 Enviar a un amigo
 Imprimir

SMD

TUBO LED T8 120CM 20W 1950LM CABEZA FIJA BLANCO FRIO

TUBO LED 120CM

Estos tubos LED sustituyen a los tubos fluorescentes convencionales de 36w y 1200cm. Al ser de cabeza fija se evitan problemas de que la cabeza se gire a la hora de ser instalados. Como el casquillo T8 tiene cierto márgen el haz de luz se puede enfocar sin ningún tipo de problema.

Referencia: 818

Cantidad

Disponibilidad:

MATERIAL EN STOCK

9,90 €

¡En descuento!

[COMPRAR](#)

más

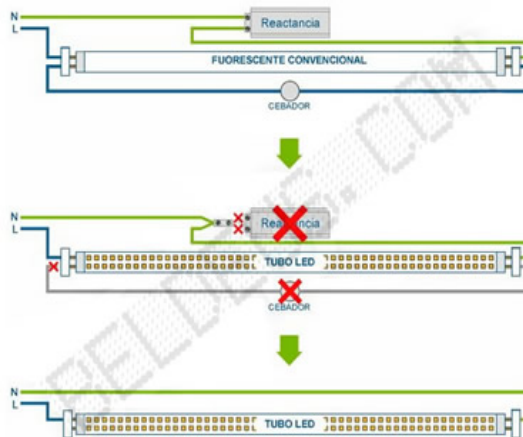
Este tipo de tubo LED es apto para todo tipo de instalaciones ya que tienen un difusor metálico que le permite ser utilizado en cualquier situación.

CARACTERÍSTICAS TÉCNICAS

- **Cubierta:** Blanca
- **Potencia :** 22W
- **Tipo LED:** SMD2835
- **Numero LED:** 120pcs
- **Medidas:** Ø30X1200mm
- **Luminosidad:** 1950Lm
- **Angulo :** 120°
- **Input Voltage:** AC110-265V
- **Power Factor:** 0.95
- **Vida útil:** 50,000Hours
- **Garantía:** 2 años

ESQUEMA DE INSTALACIÓN:

Para realizar la instalación es necesario anular el cebador y la reactancia, y enchufar directamente los cables de la red eléctrica, uno a cada extremo, tal y como indica el siguiente esquema:



LOS CLIENTES QUE COMPRARON ESTE PRODUCTO

TUBO LED SMD 20W 120CM
TAMBIÉN HAN COMPRADO...



DOWNLIGHT...

5,70 €

TUBO LED
T8...

11,90 €



SOCKET GU10

0,50 €

BOMBILLA
LED...

3,80 €

BOMBILLA
LED...

6,50 €

BOMBILLA
LED...

31,90 €

BOMBILLA
LED...

12,99 €

TUBO LED
T8...

9,90 €

BOMBILLA
LED...

5,90 €

TUBO LED
T8...

19,90 €

2 OTROS PRODUCTOS DE LA MISMA CATEGORÍA:

TUBO LED
T8...

11,90 €

TUBO LED
T8...

6,60 €



ETIQUETAS

LED BOMBILLA LED
E27 TUBO LED 12W
TUBOS LED DOWNLIGHT
LED VINTAGE DOWNLIGHT
10W

MEJORES VENTAS

1 **DOWNLIGHT
LED SLIM ECO
18W
REDONDO
FRIO
9,90 €**

2 **TUBO LED T8
120CM 20W
1950Lm
CABEZA FIJA
BLANCO FRIO
9,90 €**

3 **TUBO LED T8
150CM 22W
2300Lm
CABEZA FIJA
FRIO
11,90 €**

4 **SOCKET GU10
0,50 €**

5 **TUBO LED T8
60CM 9W
CABEZA FIJA
BLANCO FRIO
6,60 €**

» LOS PRODUCTOS MÁS VENDIDOS



PROMOCIONES ESPECIALES

Potencia	Luminosidad	Ángulo	
3w	220lm	180°	-50%

BOMBILLA LED 3W E14 PINPON BLANCA CALIDA

3,50 €
1,75 €

» Todas las promociones especiales


NOVEDADES

Potencia	Luminosidad	Ángulo	
5w	400lm	360°	BOMBILLA... BOMBILLA LED W5W: Son ideales para...
T10 CANBUS NO COLORES	6000		

Potencia	Luminosidad	Ángulo	
4w	320lm	360°	BOMBILLA... BOMBILLA LED W5W: Son ideales para...
T10 CANBUS NO COLORES	6000		

 <p>BOMBILLA... BOMBILLA LED W5W: Son ideales para...</p>
 <p>BOMBILLA... BOMBILLA LED W5W: Son ideales para...</p>
 <p>BOMBILLA... BOMBILLA LED C5W: Son ideales para...</p>

» Todas las novedades



Beldeus. ...
M'agrada la pàg

MI CUENTA

Mis pedidos
Mi mercancía devuelta
Mis vales
Mis direcciones
Mis datos personales
Mis vales de descuento
Programa de patrocinio
Mis alertas

INFORMATION

Envíos
Condiciones generales
Sobre nosotros
Forma de pago
Privacidad y protección de datos
Garantía y devolución
Sitemap

BELDEUS ONLINE

Beldeus.com
Tel.: 674.91.15.24
Email tienda@beldeus.com
Lunes a Viernes de:
9.00 a 14.00 y de 16.00 a 19.00

BELDEUS PONTEVEDRA

Rúa San Antoniño 11 -
Pontevedra
Tel.: 886.31.18.72
Email pontevedra@beldeus.com
Lunes a Viernes de:
9.00 a 14.00 y de 17.00 a 20.30

BELDEUS VIGO

C/ Eugenio Arbones 10 36210
- Vigo
Tel.: 986.16.79.74
Email vigo@beldeus.com
Lunes a Viernes de:
9.00 a 14.00 y de 16.00 a 19.00

Beldeus Tienda para comprar bombillas LED, tubos LED, downlights LED, tiras LED con sus accesorios, módulos LED, LEDs de carril, paneles LED, también iluminación industrial y vial de LED, sensores de movimiento, accesorios LED y componentes LED.

En bombillas LED tenemos bombillas LED E14, bombillas LED E27, diólicas LED GU10, bipin G4 LED, G9 LED, G24 LED, R7S LED, AR111 G53 LED. En tubos LED trabajamos tubos de LED con conexión T8 tanto normales como tubos LED con detector de movimiento, tubos led estancos, tubos LED especiales para alimentación, tubos LED 2G11 tubos LED circulares o de cocina. En cuanto a los Downlight LED, la familia por excelencia son los downlight slim LED ya que al ser finos se pueden instalar en prácticamente cualquier sitio y si por cualquier motivo resulta imposible está la opción de los downlights LED de superficie. Dentro de la familia de Focos LED los más utilizados son los focos LED de exterior, aunque también tenemos focos led con detector de movimiento, focos LED rgb, focos LED portátiles. También tenemos una amplia gama de tiras LED. Los paneles LED son muy versátiles a la hora de sustituir pantallas con tubos fluorescentes, mientras que los LED de carril son idóneos para la iluminación de los escaparates de los comercios. Para hacer más eficiente cualquier luminaria LED no dudes en utilizar los sensores de movimiento para que estén encendidas sólo cuando lo necesitas.



Compartir en Facebook
 Enviar a un amigo
 Imprimir

SMD

TUBO LED T8 60CM 9W CABEZA FIJA BLANCO FRIO

TUBO LED 60CM

Estos tubos LED sustituyen a los tubos fluorescentes convencionales de 18w y 600cm. Al ser de cabeza fija se evitan problemas de que la cabeza se gire a la hora de ser instalados. Como el casquillo T8 tiene cierto márgen el haz de luz se puede enfocar sin ningún tipo de problema.

Referencia: 1010

Cantidad:

Disponibilidad: MATERIAL EN STOCK

6,60 €

¡En descuento!

[COMPRAR](#)

más

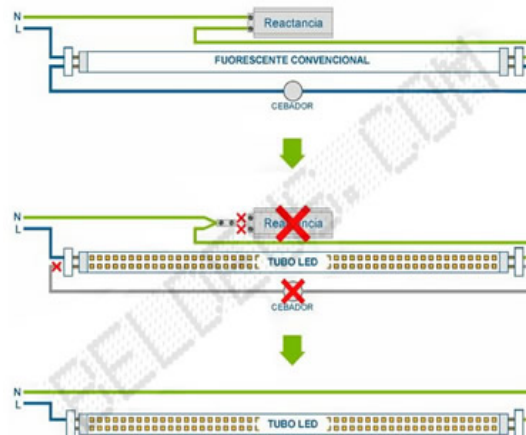
Este tipo de tubo LED es apto para todo tipo de instalaciones ya que tienen un difusor metálico que le permite ser utilizado en cualquier situación.

CARACTERÍSTICAS TÉCNICAS

- **Cubierta:** Blanca
- **Potencia :** 9W
- **Tipo LED:** SMD2835
- **Numero LED:** 48pcs
- **Medidas:** Ø30X600mm
- **Luminosidad:** 800Lm
- **Angulo :** 120°
- **Input Voltage:** AC110-265V
- **Power Factor:** 0,95
- **Vida útil:** 50,000Hours
- **Garantía:** 2 años

ESQUEMA DE INSTALACIÓN:

Para realizar la instalación es necesario anular el cebador y la reactancia, y enchufar directamente los cables de la red eléctrica, uno a cada extremo, tal y como indica el siguiente esquema:



LOS CLIENTES QUE COMPRARON ESTE PRODUCTO

TAMBIÉN HAN COMPRADO...

TUBO LED T8...	BOMBILLA LED...	BOMBILLA LED...	BOMBILLA LED...	BOMBILLA LED...	BOMBILLA LED...
19,90 €	3,80 €	6,50 €	3,80 €	9,90 €	8,90 €

2 OTROS PRODUCTOS DE LA MISMA CATEGORÍA:

TUBO LED T8...	TUBO LED T8...
11,90 €	9,90 €



ETIQUETAS

LED BOMBILLA LED
 E27 TUBO LED 12W
 TUBOS LED DOWNLIGHT
 LED VINTAGE DOWNLIGHT
 10W

MEJORES VENTAS

- 1 **DOWNLIGHT LED SLIM ECO 18W REDONDO FRIO 9,90 €**
 - 2 **TUBO LED T8 120CM 20W 1950Lm CABEZA FIJA BLANCO FRIO 9,90 €**
 - 3 **TUBO LED T8 150CM 22W 2300Lm CABEZA FIJA FRIO 11,90 €**
 - 4 **SOCKET GU10 0,50 €**
 - 5 **TUBO LED T8 60CM 9W CABEZA FIJA BLANCO FRIO 6,60 €**
- » LOS PRODUCTOS MÁS VENDIDOS



PROMOCIONES ESPECIALES

Potencia	Luminosidad	Largo	
15w	1460lm	189mm	-20%

BOMBILLA LED R7S 15W 189mm BLANCO FRIO

R7S	6000h	
21,85 €		
17,48 €		

» Todas las promociones especiales

NOVEDADES

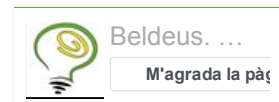
Potencia	Luminosidad	Largo	
T10	CANBUS NO EXPOSE	6000h	perd...

Potencia	Luminosidad	Largo	
2W	180lm	360mm	BOMBILLA... BOMBILLA LED W5W:

Son ideales para...

Potencia	Luminosidad	Largo	
4W	320lm	180mm	BOMBILLA... BOMBILLA LED CW.

» Todas las novedades

**MI CUENTA**

Mis pedidos
 Mi mercancía devuelta
 Mis vales
 Mis direcciones
 Mis datos personales
 Mis vales de descuento
 Programa de patrocinio
 Mis alertas

INFORMATION

Envíos
 Condiciones generales
 Sobre nosotros
 Forma de pago
 Privacidad y protección de datos
 Garantía y devolución
 Sitemap

BELDEUS ONLINE

Beldeus.com
 Tel.: 674.91.15.24
 Email tienda@beldeus.com
 Lunes a Viernes de:
 9.00 a 14.00 y de 16.00 a
 19.00

BELDEUS PONTEVEDRA

Rúa San Antoniño 11 -
 Pontevedra
 Tel.: 886.31.18.72
 Email pontevedra@beldeus.com
 Lunes a Viernes de:
 9.00 a 14.00 y de 17.00 a
 20.30

BELDEUS VIGO

C/ Eugenio Arbones 10 36210
 - Vigo
 Tel.: 986.16.79.74
 Email vigo@beldeus.com
 Lunes a Viernes de:
 9.00 a 14.00 y de 16.00 a
 19.00

Beldeus Tienda para comprar bombillas LED, tubos LED, downlights LED, tiras LED con sus accesorios, modulos LED, LEDS de carril, paneles LED, también iluminación industrial y vial de LED, sensores de movimiento, accesorios LED y componentes LED.

En bombillas LED tenemos bombillas LED E14, bombillas LED E27, dicroicas LED GU10, bipin G4 LED, G9 LED, G24 LED, R7S LED, AR111 G53 LED. En tubos LED trabajamos tubos de LED con conexión T8 tanto normales como tubos LED con detector de movimiento, tubos led estancos, tubos LED especiales para alimentación, tubos LED 2G11 tubos LED circulares o de cocina. En cuanto a los Downlight LED, la familia por excelencia son los downlight slim LED ya que al ser finos se pueden instalar en prácticamente cualquier sitio y si por cualquier motivo resulta imposible está la opción de los downlights LED de superficie. Dentro de la familia de Focos LED los más utilizados son los focos LED de exterior, aunque también tenemos focos led con detector de movimiento, focos LED rgb, focos LED portátiles. También tenemos una amplia gama de tiras LED. Los paneles LED son muy versátiles a la hora de sustituir pantallas con tubos fluorescentes, mientras que los LED de carril son idóneos para la iluminación de los escaparates de los comercios. Para hacer más eficiente cualquier luminaria LED no dudes en utilizar los sensores de movimiento para que estén encendidas sólo cuando lo necesitas.

Uso de cookies

Utilizamos cookies propias y de terceros para mejorar nuestros servicios y mostrarte publicidad relacionada con tus preferencias mediante el análisis de tus hábitos de navegación. Si continúas navegando, consideramos que aceptas su uso. Puedes obtener más información, o bien conocer cómo cambiar la configuración, en nuestra [Política de Cookies](#).

Da vida a tus ideas

[Registro](#) [Mi Pedido](#) Mi tienda: Sin seleccionar ([elegir](#))

[Ayuda compra on-line](#)

Carrito 0€ (0 productos)

[PRODUCTOS](#) [PROMOCIONES](#) [SERVICIOS](#) [IDEAS Y CONSEJOS](#) [TIENDAS](#) [COMUNIDAD](#)

Buscar

[Productos](#) [Iluminación](#) [Bombillas y tubos](#) [LED E27](#)

Lexman LED E27

Bombilla estándar de tecnología LED E27. [Ver Ficha técnica](#)

5 años de garantía



Calcular
 Selecciona:
 Potencia:
[Selecciona](#)
 Tono de luz:

 desde 4,50€
[Añadir](#)
 Imprime o compártelo en:

financiación

Introduce el importe a financiar

Simplemente inserta el importe que desearías financiar. Puedes escoger tanto la duración de la financiación o la mensualidad. Ten en cuenta que el importe mínimo a financiar es de 90€

El importe mínimo a financiar es de 90€

€

[Cerrar](#)

Especifica la duración o pagos mensuales

Duración (en meses)

[3](#)

[6](#)

[9](#)

[10](#)

[12](#)

[18](#)

[20](#)

[24](#)

[36](#)

[48](#)

[3](#)

Mensualidades (en euros)

[0](#)

[0](#)

[0](#)

[0](#)

0€

[Guardar la información de mi financiación](#)

Recuerda que con nuestra tarjeta Club LM puedes pagar como más te conviene:



A fin de mes

En pequeñas cuotas

En 3 meses sin intereses*

Otras modalidades de financiación

*Si pagas con tu tarjeta Club Leroy merlin. TIN: 0%, TAE: 0%. Importe mínimo a financiar 90€. Importe máximo a financiar según disponible de la tarjeta.

Ejemplo de financiación para 90€ a 3 meses sin intereses: C. Apertura: 0€. Tres cuotas mensuales de 30€. Importe total adeudado 90€. Intereses subvencionados por Leroy Merlin. Todas las financiaciones están sujetas a la aprobación de la entidad financiera **Oney Servicios Financieros E.F.C., S.A.U.** Plazo de validez hasta el 31/12/2016

Los clientes que vieron LED E27 también se interesaron por



Pack LED E27 Osram

[Más información y disponibilidad](#)

desde 12,90€



Ficha Técnica

Tipo de casquillo E27	Tecnología LED
Tipo de bombilla Estándar	Forma Estándar
Ángulo de luz 150 grados	Tipo de cristal Frosted
Garantía 5 años	Vida útil 15000 Hr
Equivalencia en potencia 60W	Medidas 10,8x6x6 cm

Nuevo folleto Aniversario

Ofertas hasta el 18 de julio

VER FOLLETO >

Nueva colección

Puertas de madera

DESCÚBRELAS >

Hidrolimpiadoras de alta presión

+ de 30 soluciones disponibles

DESCÚBRELAS >

DESCUENTOS DE HASTA EL -70%

ventas FLASH
online

UNIDADES LIMITADAS

Productos

[Armarios](#)
[Baños](#)
[Calefacción](#)
[Cerámica](#)
[Climatización](#)
[Cocinas](#)
[Construcción](#)
[Decoración](#)
[Empresa](#)
[Aviso Legal](#)
[Contacto y Opinión](#)
[Empleo](#)
[Política de Cookies](#)

Domótica y seguridad

[Droguería](#)
[Electricidad](#)
[Estanterías y mobiliario para almacenar](#)
[Ferretería](#)
[Fontanería](#)
[Herramientas](#)

Iluminación

[Jardín](#)
[Madera](#)
[Pintura](#)
[Puertas, ventanas y escaleras](#)
[Suelos](#)

Promociones

[Nuestros folletos](#)
[Salidos](#)
[Servicios](#)
[Conoce nuestros servicios](#)
[Servicios en mi tienda](#)

Ideas y consejos

[Vídeos](#)
[Guías](#)
[Mi Leroy Merlin](#)
[Registro email](#)
[Mi pedido](#)

Localizar mi tienda

[Empresa](#)

:: Comunicado Seguridad ::

Síguenos en:

Facebook

Twitter

Precio variable según tiendas y válido para península.

La disponibilidad de productos es orientativa, puede sufrir variaciones en tienda.

© Leroy Merlin España S.L.U. 2014

Uso de cookies

Utilizamos cookies propias y de terceros para mejorar nuestros servicios y mostrarte publicidad relacionada con tus preferencias mediante el análisis de tus hábitos de navegación. Si continúas navegando, consideramos que aceptas su uso. Puedes obtener más información, o bien conocer cómo cambiar la configuración, en nuestra [Política de Cookies](#).

Da vida a tus ideas

[Registro](#) [Mi Pedido](#) Mi tienda: Sin seleccionar ([elegir](#))

[Ayuda compra on-line](#)

Carrito 0€ (0 productos)

[PRODUCTOS](#) [PROMOCIONES](#) [SERVICIOS](#) [IDEAS Y CONSEJOS](#) [TIENDAS](#) [COMUNIDAD](#)

Buscar

[Productos](#) [Puertas ventanas y escaleras](#) [Ventanas](#) [Ventanas](#) VENTANA ALUMINIO 2HOJAS CORREDERA

VENTANA ALUMINIO 2HOJAS CORREDERA

Ventana corredera de 2 hojas fabricada en aluminio con perfil de 62 mm, sin persiana y vidrio 4/8/4.
[Ver Ficha técnica](#)

Calcular

Selecciona:

Color:

Medidas (ancho x alto):

[Selecciona](#)

desde 91,75€

[Añadir](#)

Imprime o compártelo en:



financiación

Introduce el importe a financiar

Simplemente inserta el importe que desearías financiar. Puedes escoger tanto la duración de la financiación o la mensualidad. Ten en cuenta que el importe mínimo a financiar es de 90€

El importe mínimo a financiar es de 90€

€

[Cerrar](#)

Especifica la duración o pagos mensuales

Duración (en meses)

[3](#)

[6](#)

[9](#)

[10](#)

[12](#)

[18](#)

[20](#)

[24](#)

[36](#)

[48](#)

[3](#)

Mensualidades (en euros)

[0](#)

[0](#)

[0](#)

[0](#)

0€

[Guardar la información de mi financiación](#)

Recuerda que con nuestra tarjeta Club LM puedes pagar como más te conviene:



A fin de mes

En pequeñas cuotas

En 3 meses sin intereses*

Otras modalidades de financiación

*Si pagas con tu tarjeta Club Leroy merlin. TIN: 0%, TAE: 0%. Importe mínimo a financiar 90€. Importe máximo a financiar según disponible de la tarjeta.

Ejemplo de financiación para 90€ a 3 meses sin intereses: C. Apertura: 0€. Tres cuotas mensuales de 30€. Importe total adeudado 90€. Intereses subvencionados por Leroy Merlin. Todas las financiaciones están sujetas a la aprobación de la entidad financiera **Oney Servicios Financieros E.F.C., S.A.U.** Plazo de validez hasta el 31/12/2016

Los clientes que vieron VENTANA ALUMINIO 2HOJAS CORREDERA también se interesaron por



VENTANA ALUMINIO 2HOJAS CORREDERA PERSIANA

[Más información y disponibilidad](#)

desde 139,95€



Ficha Técnica

Tipo de ventana Ventana	Apertura de la ventana Corredera
Material Aluminio	Técnica de color Lacado
Marca de los herrajes Stac/H.Europeos	Tipo de herraje (Hoja activa) Cierre embutido, rodamiento fijo y regulable
Tipo de herraje (Hoja pasiva) Cierre embutido, rodamiento fijo y regulable	¿Incluye persiana? No
Composición del acristalamiento 4/8/4	Marca del acristalamiento Climalit
Permeabilidad del aire 3	Estanqueidad al agua 6A
Resistencia a la carga del viento C3	Aislamiento térmico Uw (W/m2k) 3,7 (W/m2k)
Aislamiento Acústico (dB) 28 (dB)	

Nuevo folleto Aniversario
Ofertas hasta el 18 de julio
[VER FOLLETO >](#)

Nueva colección Puertas de madera
[DESCÚBRELAS >](#)

Hidrolimpiadoras de alta presión
+ de 30 soluciones disponibles
[DESCÚBRELAS >](#)

DESCUENTOS DE HASTA EL -70%
ventas FLASH online
UNIDADES LIMITADAS

[Productos](#)
[Armarios](#)
[Baños](#)
[Calefacción](#)

[Domótica y seguridad](#)
[Droguería](#)
[Electricidad](#)
[Estanterías y](#)

[Iluminación](#)
[Jardín](#)
[Madera](#)
[Pintura](#)

[Promociones](#)
[Nuestros folletos](#)
[Saldos](#)
[Servicios](#)

[Ideas y consejos](#)
[Vídeos](#)
[Guías](#)
[Mi Leroy Merlin](#)

[Localizar mi tienda](#)
[Empresa](#)

[Cerámica](#) [mobiliario para](#) [Puertas, ventanas y](#) [Conoce nuestros](#) [Registro email](#)
[Climatización](#) [almacenar](#) [escaleras](#) [servicios](#) [Mi pedido](#)
[Cocinas](#) [Ferretería](#) [Suelos](#) [Servicios en mi tienda](#)
[Construcción](#) [Fontanería](#)
[Decoración](#) [Herramientas](#)
[Empresa](#)
[Aviso Legal](#)
[Contacto y Opinión](#)
[Empleo](#)
[Política de Cookies](#)
[:: Comunicado Seguridad ::](#)
[Síguenos en:](#)
[Facebook](#)
[Twitter](#)

Precio variable según tiendas y válido para península.
La disponibilidad de productos es orientativa, puede sufrir variaciones en tienda.
© Leroy Merlin España S.L.U. 2014



OFERTA DEL SERVICIO DE COMPENSACIÓN DE ENERGÍA REACTIVA (BATERÍAS DE CONDENSADORES)

DATOS DEL CLIENTE					
Razón Social / Apellidos, Nombre:	AJUNTAMENT DE MARIA DE LA SALUT				
Tipo de documento (NIF, CIF):	IDENTIFICADOR FISCAL	Nº:	P0703500I		
Dirección:	poligono 4 Parc 493, Maria de la Salut, 07519, Mallorca,		Escalera / Piso / Puerta:		
Código Postal / Localidad:	07519 - MARIA DE LA SALUT		Provincia:	BALEARS (ILLES)	
Teléfono principal:	971525002	Teléfono secundario:		Teléfono móvil:	
Fax:		e-mail:	BATLIA@MARIADELASALUT.COM		
Persona de Contacto	GUIEM JORDA			Teléfono Contacto	

BATERÍA DE CONDENSADORES
Batería de Condensadores de un paso de 25 kVAr, sin Filtro de Armónicos. Sin Instalación.

OPCIONALES

CONDENSADORES FIJOS ADICIONALES

VALORACIÓN ECONÓMICA

Descuento del 8% por pago al contado ya aplicado sobre el PVP.

PVP	745,75 €
IVA (21%)	156,61 €
TOTAL	902,36 €

FORMA DE PAGO

PAGO AL CONTADO

TOTAL	902,36 €

Condiciones generales de entrega y garantías

Plazo de entrega estimado 30 días hábiles a partir de la fecha de aceptación del presupuesto.

El plazo de entrega estimado no es vinculante, no procediendo ningún tipo de indemnización en caso de variación sobre el mismo.

Gastos de transporte incluidos.

Instalación no incluida.

El fabricante garantiza la batería de condensadores contra todo defecto de fabricación por un periodo de 5 años, incluyendo sustitución de elementos averiados, desplazamientos y mano de obra.

Esta garantía tendrá validez siempre que la tasa de distorsión (THD) de tensión no supere el 3%, y que la tensión máxima no exceda el 10% de la nominal de la batería durante más de 8 horas de cada 24 horas, y no supere el 15% durante más de 30 min. de cada 24 horas.

La garantía no tendrá efecto si se demostrase que el equipo ha sido manipulado.

Fecha de la oferta 28/06/2016

Validez de la oferta 28/07/2016

Riesgos:

--

El Gestor

Aceptación por parte del cliente

Fdo: Ripoll Haro, Catalina

Fdo:



Optimum *nueva gama*



Módulo solar fotovoltaico (72 células 6")
A-xxxP GSE (280/285/290/295/300/305/310 W)

- **Optimice sus instalaciones.**
- **Alta eficiencia** del módulo y potencia de salida estable, basado en una tecnología de proceso innovadora.
- **Funcionamiento eléctrico excepcional** en condiciones de alta temperatura o baja irradiación.
- Facilidad de instalación gracias a un **diseño de ingeniería innovador.**
- **Riguroso control de calidad** que cumple con los más altos estándares internacionales.
- **Garantía, 10 años** contra defectos de fabricación y **25 años** en rendimiento.



**A-xxxP GSE** (xxx = potencia nominal)**Características eléctricas**

Potencia Máxima (Pmax)	280 W	285 W	290 W	295 W	300 W	305 W	310 W
Tensión Máxima Potencia (Vmp)	35.59 V	35.83 V	36.07 V	36.38 V	36.74 V	37.06 V	37.32 V
Corriente Máxima Potencia (Imp)	7.88 A	7.96 A	8.04 A	8.11 A	8.17 A	8.24 A	8.31 A
Tensión de Circuito Abierto (Voc)	44.12 V	44.35 V	44.53 V	44.76 V	45.09 V	45.40 V	45.72 V
Corriente en Cortocircuito (Isc)	8.41 A	8.48 A	8.57 A	8.65 A	8.72 A	8.80 A	8.87 A
Eficiencia del Módulo (%)	14.39	14.65	14.91	15.17	15.42	15.68	15.94
Tolerancia de Potencia (W)	0/+5						
Máxima Serie de Fusibles (A)	15						
Máxima Tensión del Sistema	DC 1000 V (IEC) / DC 600 V (UL)						
Temperatura de Funcionamiento Normal de la Célula (°C)	46±2						

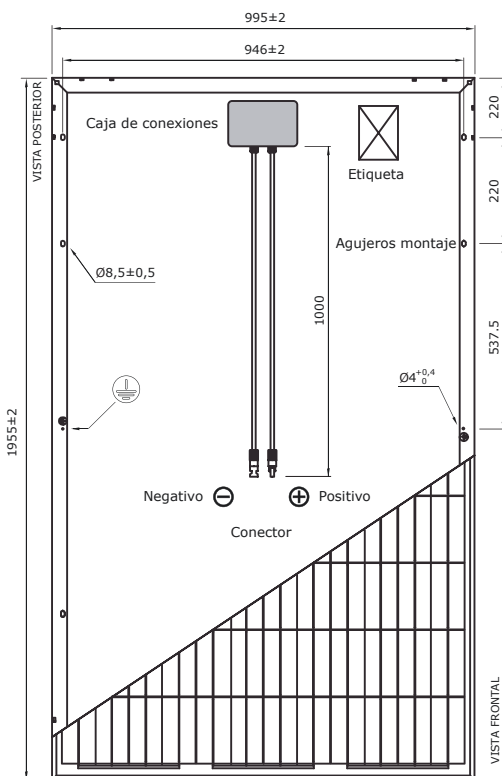
Características eléctricas medidas en Condiciones de Test Standard (STC), definidas como: Irradiación de 1000 w/m², espectro AM 1.5 y temperatura de 25 °C.
Tolerancias medida STC: ±3% (Pmp); ±10% (Isc, Voc, Imp, Vmp).

Especificaciones mecánicas

Dimensiones (± 2.0 mm.)	1955x995x50 mm.
Peso	23.5 kg
Máx. carga estática, frontal (nieve y viento)	5400 Pa
Máx. carga estática, posterior (viento)	2400 Pa

Materiales de construcción

Cubierta frontal (material/tipo/espesor)	Cristal templado/grado PV/3.2 mm.
Células (cantidad/tipo/dimensiones)	72 células (6x12)/Policristalina/156 x 156 mm.
Marco (material/color)	Aleación de aluminio anodizado/plata
Caja de conexiones (protección/nº diodos)	IP65/3 diodos
Cable (longitud/sección)/ Connector	1000 mm./ 4 mm ² / Compatible MC4

Vista genérica construcción módulo

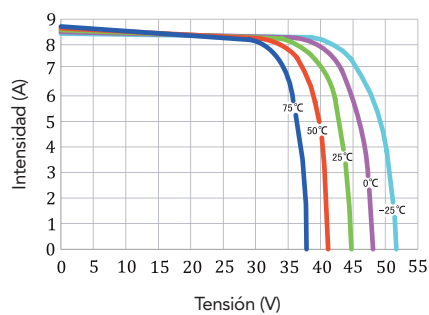
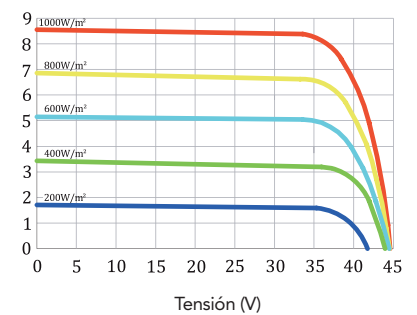
El dibujo no está a escala

Características de temperatura

Coef. Temp. de Isc (TK Isc)	0.07% /°C
Coef. Temp. de Voc (TK Voc)	-0.30% /°C
Coef. Temp. de Pmax (TK Pmax)	-0.38% /°C
Temperatura de Funcionamiento	-40 a +85 °C

Embalaje

Módulos/palé	20 pzas
Palés/contenedor 40'	22 pzas
Módulos/contenedor 40'	440 pzas

Temperatura Varia (A-290P GSE)**Irradiación Varia (A-290P GSE)**

NOTA: Los datos contenidos en esta documentación están sujetos a modificación sin previo aviso.